

GRONET GPUipc-1067

Процессор Intel® Comet lake 10-го поколения Celeron/Pentium/Core™ i9/i7/i5/i3,
7 *LAN, 8 * USB, 2 * COM, 3 * M.2, 8 + 16 бит DIO



Key Features

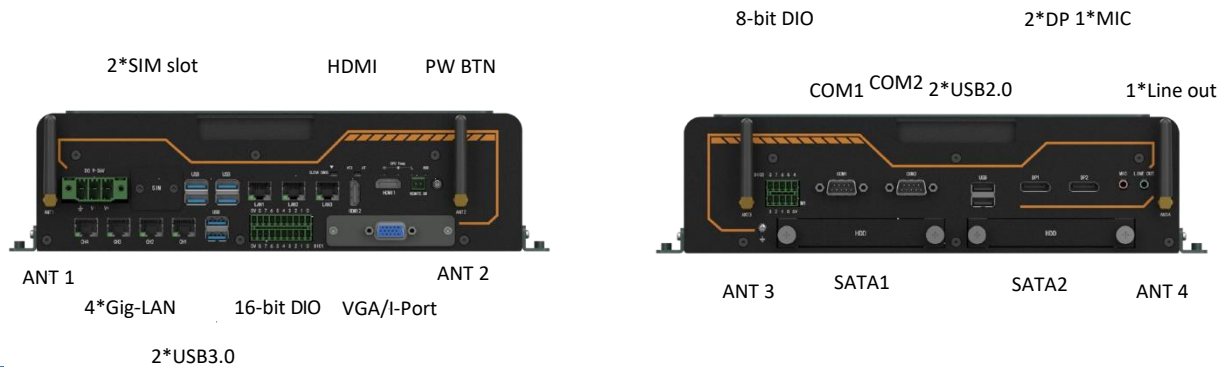
- ✓ Процессор Intel® Comet lake 10-го поколения Celeron/Pentium/Core™ i9/i7/i5/i3
- ✓ Два вентилятора с регулировкой температуры, алюминиевое шасси
- ✓ 3 * 2.5G-LAN + 4 * Gig-LAN с функцией POE
- ✓ 3 * M.2 поддержка Gig + WiFi6, 4G LTE, 5G NR модуль
- ✓ 1 * MXM3.1, поддерживает модули графического процессора MXM и карты ускорения искусственного интеллекта, потребляемая мощность которых ниже 190 Вт
- ✓ Потребляемая мощность постоянного тока 9 ~ 36 В

Description

GRONET GPUipc-1067 - компьютер с вычислениями MEC, работает на базе процессора Intel Comet 10-го поколения. Подходит для C-V2X, установки на специальных транспортных средствах, высокоточного машинного зрения, медицинской визуализации и других применений.

I/O View

IN 9-36V Remote SW 4*USB3.2 3*2.5G-LAN
HDMI

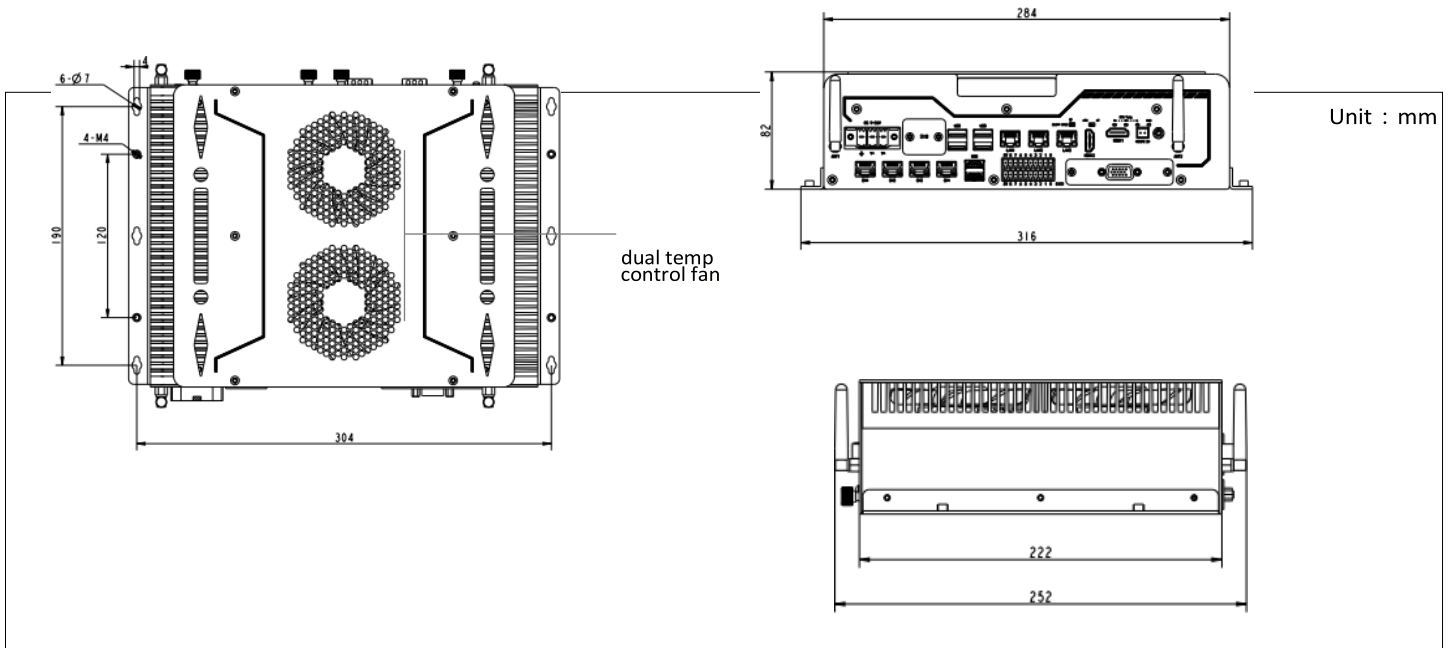


SPEC.

CPU	Intel® Comet lake 10th-Gen Celeron/Pentium/Core™ i9/i7/i5/i3 CPU, Intel® Q470 PCH
System Memory	2*DDR4 SO-DIMM slot, support 2933MHz, up to 64GB
Expansion	1*Mini-PCIe Full size ,PCIeX1 and SATA3 signal select via BIOS, USB2.0+SIM, support mSATA or 4G LTE 1*M.2 Type 2230 E-key, PCIeX1, USB2.0 and CNVio, support Gig+ WiFi6&BT5.0 1* M.2 Type 3052 B-key, PCIeX1, USB2.0+SIM, support 5G NR model, Compatible 4G LTE 1*M.2 Type 2280 M-Key(PcieX4 signal), support NVME, or PCIe expansion module 1*MXM3.1, PCIeX16, up to 190W power supply, supports MXM GPU modules and AI acceleration cards which power consumption lower than 190W 1*02 E/IO, 2个PCIeX4, 2*USB3.0, 2*USB2.0, 160pin European standard interface
Graphics	Intel® UHD Graphics, support DirectX 12, OpenGL 4.5, 2*HDMI 1.4 are 4K display interface, max res is 4096 x 2304@24Hz 1*MXM3.1GPU module, support whole series NVIDIA Gforce RTX and AMD RX series, max 190W power consumption GPU, 2*DP 1.2 4K display interface
Audio	Realtek ALC controller, 1*Audio-out and 1*MIC, phone jack 3.5mm, support 5.1 channel
LAN	2*Intel I225V+1*I225 LM, 3*2.5G-LAN, support iAMT 13.0, Core I5/I7 CPU support intel vPro 4*Intel I210AT PCIe Gig. Ethernet with POE function, 10/100/1000Mbps self-adapt, each single LAN is independent PCIe 3.0 X1 full bandwidth
Storage	2*2.5" HDD SATA3(support RAID0,1), max support dual15mm highly HDD, max 6Gbps transport speed 1*M.2 Type 2280 M-Key(PcieX4), support NVMe; Opt 1*mSATA
DIO	8+16 bit TTL signal, programmable input and output
I/O Interface	3*2.5G-LAN, 4*Gig-LAN(opt), (Rj45, front) 4*USB3.2(Type A), max 10Gbps transport speed, 2*USB3.0(opt) (front), 2*USB2.0(Type A) (rear), 1*USB2.0 DB pin header, 1*USB2.0 typeA (internal), 1*SIM slot 2*RS232/422/485, set via BIOS (DB9, rear), 2*RS232(2*5pin header, internal) 1*8-bit DIO(2*5pin Phoenixter, rear), 1*16-bit DIO(2*10pin Phoenixter, opt, front) CPU graphics : 2*HDMI, 1*VGA(opt) (front), GPU graphics : 2*DP (rear) 1*Line out+1*Mic 3.5mm phone jack (rear)

I-port	1*I-port, support 16-bit DIO, 1*CAN Bus, 1*USB2.0, 1*VGA, 2*COM, M.2 and ect expansion module to elicit
LED	1*HDD LED, 3*CPU Temp LED (Red is warning , Yellow is high, Green is normal)
Control SW	1* Power button w/LED, 2-pin Remote SW, 1*F-panel pin header, AT-ATX SW, Clear Cmos SW
Power supply	DC 9-36V, 3-pin 7.62mm term, wide power input, With short circuit, over voltage and over current protection, maximum power output 350W TDP : TBD
Watchdog timer	Watchdog timeout programmable via software 1 to 255 second
OS	Windows 10 IoT Enterprise (64-bit), Windows Server 2019, Ubuntu, SUSE, Redhat Enterprise, Wind River Linux, Yocto Project (64-bit), Wind River VxWorks 7
Mechanical	SGCC chassis, Aluminum frame
Color	Black+Granite gray
Mounting	Desk monting
Dimension	(L*W*H) : 284*222*82mm
Net weight	6.70kg
Operating temperature	-20°C~60°C airflow
Storage temperature	-40°C~85°C
Storage humidity	10~90%@40°C, Non-condensing
Vibration	5grms/5~500Hz/ random/in working(SSD); 1grms/5~500Hz/random/in working(HDD)
Shock	50g peak acceleration(11ms duration)(SSD); 20g peak acceleration(11ms duration)(HDD)
EMC/Certification	CE/FCC Class B

Dimension



Ordering Info.

Model No	Introduction
GRONET- GPUipc-1067/S001	AI MEC computing system, Intel Q470+Intel CML series desk CPU, 2*DDR4, 1*MXM3.1 GPU slot, 3*2.5G LAN, 4*USB3.2, 2*USB2.0, 2*COM, 8-bit DIO, 1*Mini PCIe, 1*M.2 E-Key, 1*M.2 B-Key, 2*HDMI, 1*VGA(opt) , 2*DP, 1*MIC in, 1*Line out, 1*Msata(opt) ,1*M.2 M-Key support Nvme, 2*2.5'' SATA3.0 support Raid0,1, 1*I-Port, DC 9~36V
GRONET- GPUipc-1067/S002	AI MEC computing system, Intel Q470+Intel CML series desk CPU, 2*DDR4, 1*MXM3.1 GPU slot, 3*2.5G LAN+4* POE LAN, 4*USB3.2, 2*USB3.0, 2*USB2.0, 2*COM, 8+16 bit DIO, 1*Mini PCIe, 1*M.2 E-Key, 1*M.2 B-Key, 2*HDMI, 1*VGA (opt) , 2*DP, 1*MIC in, 1*Line out, 1*Msata(opt) ,1*M.2 M-Key support Nvme, 2*2.5'' SATA3.0 support Raid0,1, 1*I-Port, DC 9~36V
Recommended MXM3.1 GPU module	MLU220-MXM, NVIDIA GT 1030/GTX 1050TI/GTX 1060M/GTX 1070M/GTX 1650/GTX 1660S
PA-120DC19	AC/DC power adapter, DC19V/6.32A,120W
PA-220DC24	AC/DC power adapter, DC24V@9.17A ,220W
PA-300DC24	AC/DC power adapter, DC24V@12.5A ,300W