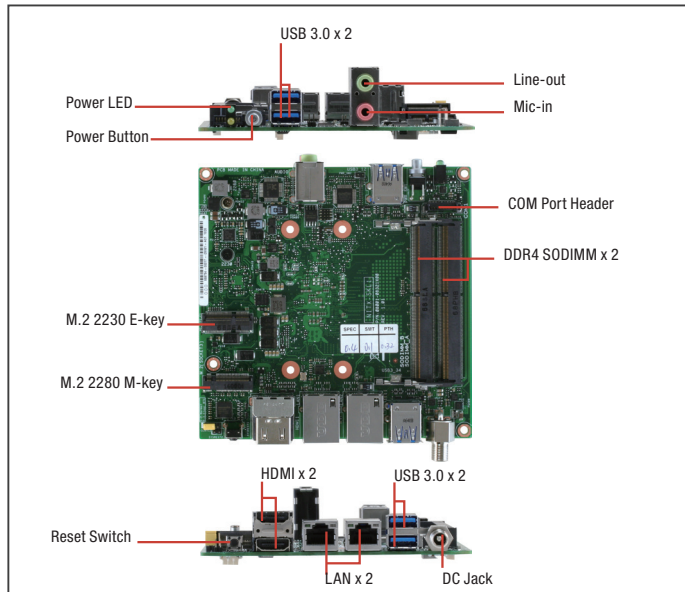


6th Generation Intel® Core™ 15W Processor Nano-ITX Board with HDMI x 2, LAN Port x 2, COM Port x 1 and USB Port x 4



Specifications

System	
Processor	6th generation Intel® 14nm ULT Core™, BGA CPU, 15W TDP. i7-6600U 2C/4T GT2 2.6/3.4 GHz 4M/ i5-6300U 2C/4T GT2 2.4/3.0 GHz 3M/ i3-6100U 2C/4T GT2 2.3 GHz 3M/ Celeron® 3955U 2C/2T GT1 (f) 2.0 GHz 2M
Chipset	Integrated into SoC
Memory	SODIMM x 2, max. 32 GB, DDR4 2133/1867 MHz non-ECC, un-buffered memory
I/O Chipset	NCT5538D
Ethernet	Realtek 8111G Gb LAN x 2, RJ-45 x 2
Audio	Realtek® ALC887
TPM	—
Expansion Slots	M.2 2280 M-Key slot x 1 (PCIe x4 + SATA) M.2 2230 E-Key slot x 1 (PCIe+USB)
BIOS	128Mbit Flash ROM, AMI BIOS
H/W Monitor	Temperature Monitor on CPU/System Voltage Monitor on Vcore/5V/3.3V/12V Fan Monitor on Chassis
WatchDog Timer	1~255 steps by software program
Smart Fan Control	Chassis Fan
Wake On LAN / PXE	Yes (WOL/PXE)
Power State	S3, S4, S5
Graphics	
Graphics Chipset	Integrated Graphics
Graphics Multi Display	HDMI + HDMI
VGA	—
DVI	—
HDMI	HDMI 1.4 up to 4096 x 2160@24Hz
Display Port	—
LVDS	—
eDP	—
Backlight Control	—
Environment & Power & ME	
Battery	Lithium battery
Power Requirement	DC Power x 1 (DC: 12V~19V, wide rage:12V-5%~ 19V+10%)
Operating Temperature	FANLESS : 0°C~40°C, FAN : 0°C~50°C
Storage Temperature	—
Operating Humidity	20%~90% R/H, non-condensing
Certificate	CE & FCC class A
Form Factor	NANO ITX: 4.72" x 4.72" (120mm x 120mm)
Weight	—

Features

- 6th Generation Intel® Core™ i7/i5/i3/Celeron® 15W BGA Processor
- Dual Gigabit Ethernet
- Dual HDMI Port
- USB 3.0 Port x 4
- COM Port x 1



MTBF (Hours)	—
Front Panel I/O	
USB	USB 3.0 port x 2
Audio	Audio Jack x 2: Line-out (green), Mic-in(pink)
Power	On/Off Button x 1
Others	Power LED + HD LED x 1
Rear Panel I/O Ports	
USB	USB 3.0 port x 2
Display I/O	HDMI Connector x 2
Audio I/O	—
LAN I/O	RJ-45 connector x 2
Serial Port	—
PS/2 Port	—
Others	Reset Switch x 1, DC power jack x 1
Internal I/O	
Serial port	RS-232 9PIN 1.25mm Header
Storage	M.2 2280 M-Key slot x 1
FAN	Chassis Fan connector x 1 (3-pin, p=2.00mm)
Others	Reset Switch 2-pin header x 1, power button 2-pin header x 1, M.2 2230 E-Key slot x 1
Operating System	
OS Support	Windows® 7 32-bit, Windows® 7 64-bit, Windows® 8.1 64-bit, Windows® 10 64-bit, Linux Fedora* 22 (64b)

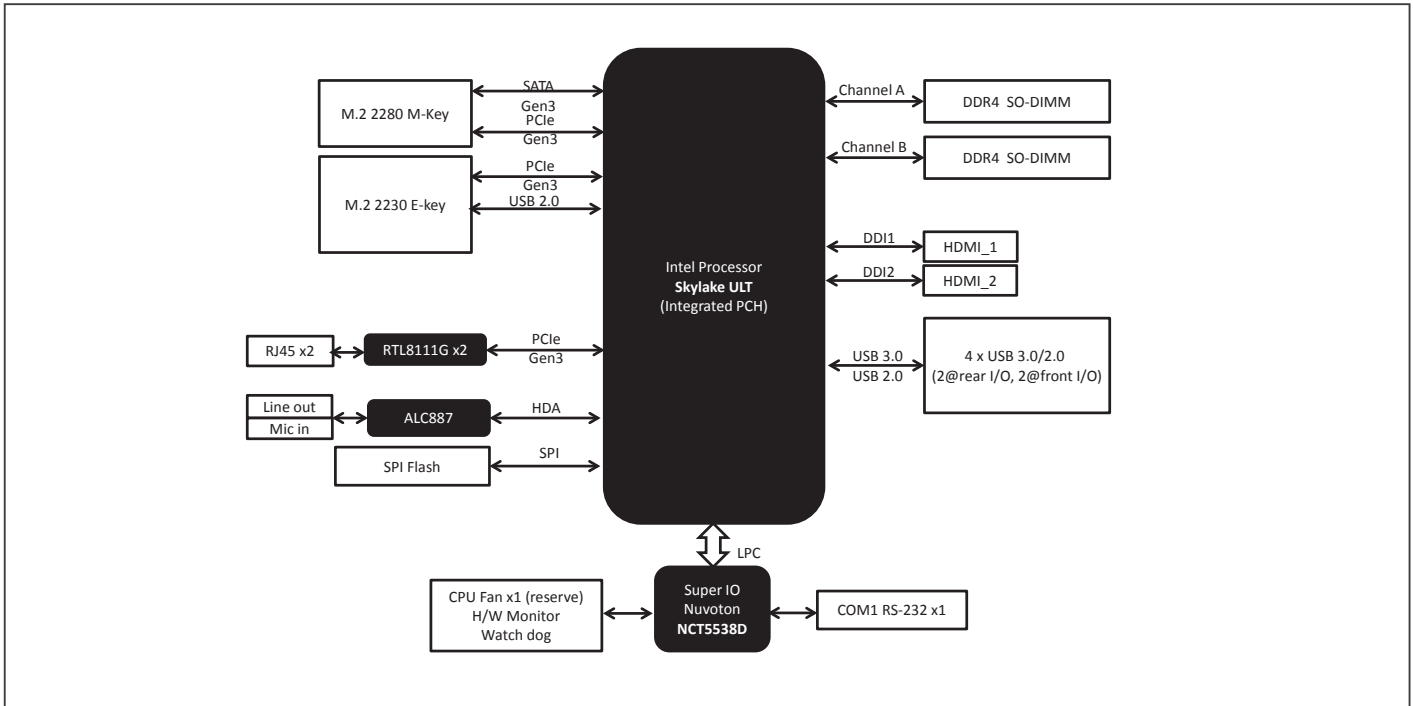
Packing List

- Product CD
- NITX-SKL1

Optional Accessories

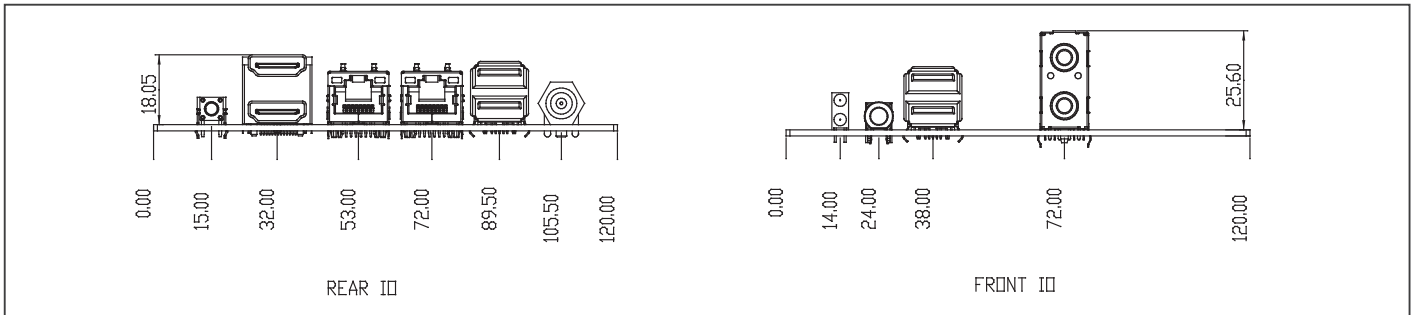
Part Number	Description
1255300607	60W Power Adapter
968C032G1L	M.2 2280 32GB SSD
968C064G2X	M.2 2280 64GB SSD
968C128G1G	M.2 2280 128GB SSD

Block Diagram



Dimension

Unit: mm



Ordering Information

Part Number	CPU	RAM	Fan/Fanless	Display	Storage	LAN	USB	USB	RS-232	Expansion Slot	Power	Temp.
NITX-SKL1-3955-A10	Celeron 3955U 2.0G/2M	DDR4 2133/1867 SODIMM	Depends on customer's Mechanical design	HDMI x 2	M.2 2280 M-key Slot	GbE x 2	USB 3.0 Port x 4	USB 3.0 Port x 4	RS-232 x 1	M.2 2230 E-Key Slot	DC12-19V	32°F ~140°F (0°C ~ 60°C)
NITX-SKL1-6100-A10	I3-6100U 2.3G/3M	DDR4 2133/1867 SODIMM		HDMI x 2	M.2 2280 M-key Slot	GbE x 2	USB 3.0 Port x 4	USB 3.0 Port x 4	RS-232 x 1	M.2 2230 E-Key Slot	DC12-19V	32°F ~140°F (0°C ~ 60°C)
NITX-SKL1-6300-A10	I5-6300U 2.4G/3M	DDR4 2133/1867 SODIMM		HDMI x 2	M.2 2280 M-key Slot	GbE x 2	USB 3.0 Port x 4	USB 3.0 Port x 4	RS-232 x 1	M.2 2230 E-Key Slot	DC12-19V	32°F ~140°F (0°C ~ 60°C)
NITX-SKL1-6600-A10	I7-6600U 2.6G/4M	DDR4 2133/1867 SODIMM		HDMI x 2	M.2 2280 M-key Slot	GbE x 2	USB 3.0 Port x 4	USB 3.0 Port x 4	RS-232 x 1	M.2 2230 E-Key Slot	DC12-19V	32°F ~140°F (0°C ~ 60°C)