



WM343-KD330

Q170
H110

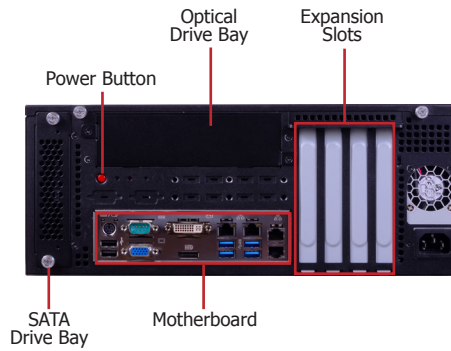


► Features

- 6th/7th Gen Intel Core Desktop/Wallmount Box PC
- Dual storage support
- One side I/O and 4 expansion slots
- Supports 1 PCIe x16, 1 PCIe x4, 1 PCI
- 12cm system fan

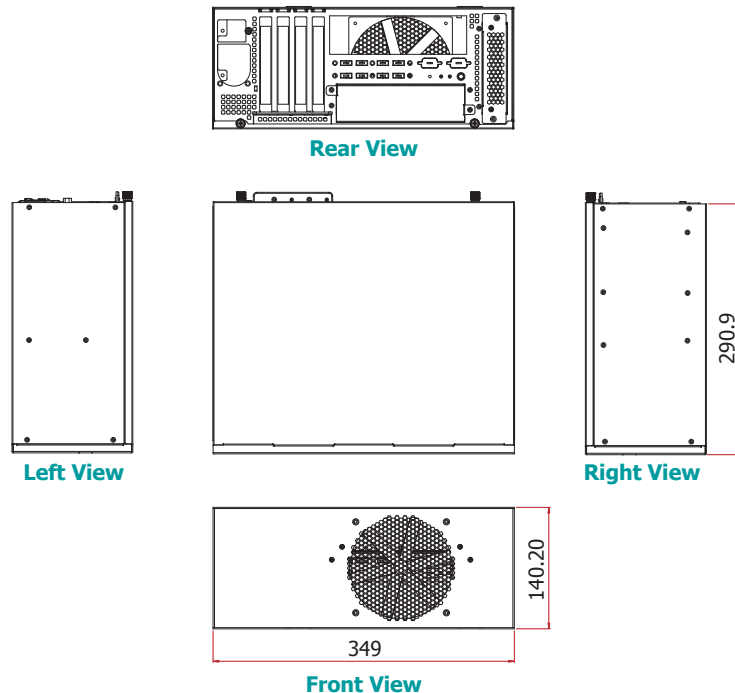


► Panel



Rear View

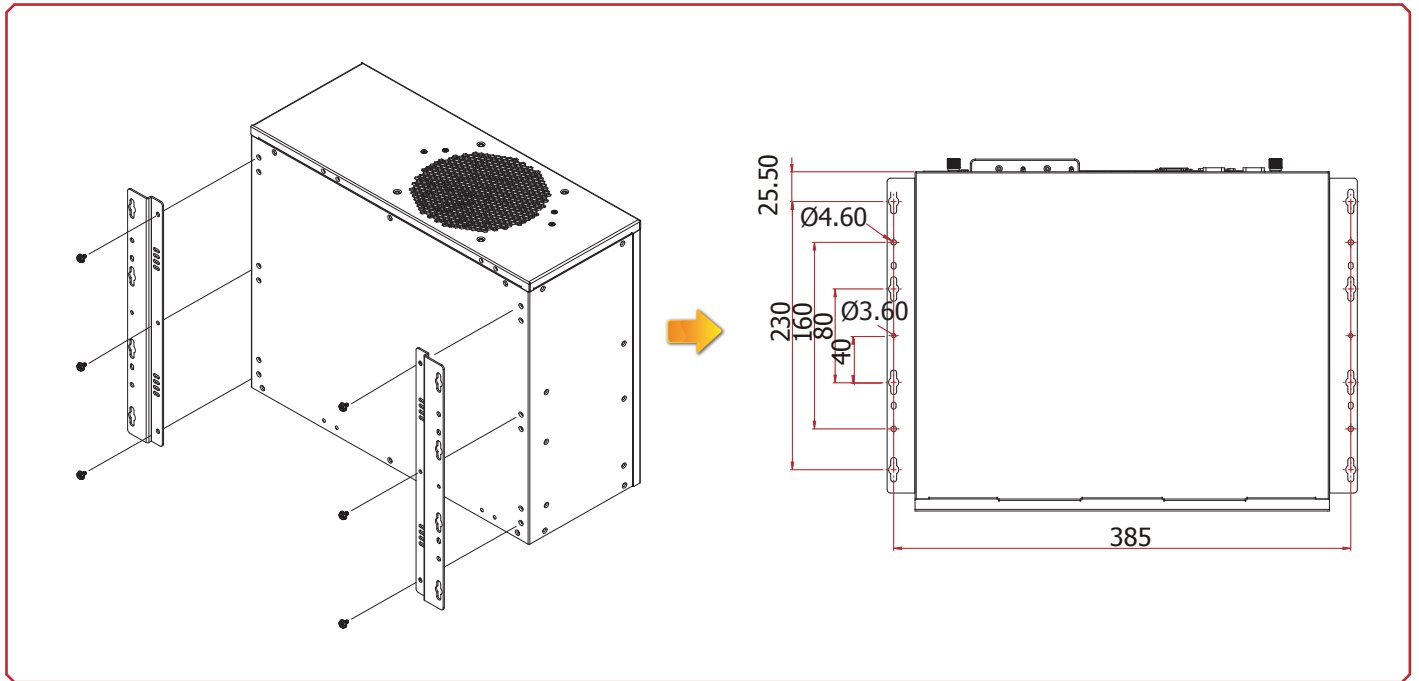
► Dimensions



► Specifications

SYSTEM	Processor	6th/7th Generation Intel® Core™ Processors, LGA 1151 Socket Intel® Core™ i7-7700 Processor, Quad Core, 8M Cache, 3.6GHz (4.2GHz), 65W Intel® Core™ i5-7500 Processor, Quad Core, 6M Cache, 3.4GHz (3.8GHz), 65W Intel® Core™ i3-7101E Processor, Dual Core, 3M Cache, 3.9GHz, 65W	
	Chipset	KD330-Q170: Intel® Q170 Chipset	KD330-H110: Intel® H110 Chipset
	Memory	KD330-Q170: Four 288-pin DIMM up to 64GB KD330-H110: Two 288-pin DIMM up to 32GB	
	BIOS	Insyde SPI 128Mbit	
GRAPHICS	Controller	Intel® HD Gen 9 Graphics	
	Feature	OpenGL 5.0, DirectX 12, OpenCL 2.1 HW Decode: AVC/H.264, MPEG2, VC1/WMV9, JPEG/MJPEG, HEVC/H265, VP8, VP9 HW Encode: MPEG2, AVC/H264, JPEG, HEVC/H265, VP8, VP9	
	Display	1 x VGA 1 x DVI-I (DVI-D signal) 1 x DP++	VGA: resolution up to 1920x1200 @ 60Hz DVI-D: resolution up to 1920x1200 @ 60Hz DP++: resolution up to 4096x2304 @ 60Hz
	Triple Displays	VGA + DVI-I (DVI-D signal) + DP++	
STORAGE	External	1 or 2 x 3.5"/2.5" SATA 3.0 Drive Bays (1 x 3.5" SATA drive bay, by default) 1 x 5.25" Optical Drive Bay	
EXPANSION	Interface	1 x PCIe x16 (Gen 3) 1 x PCIe x4 (Gen 3) 1 x PCI 1 x Full-size Mini PCIe (USB/PCIe/mSATA, PCIe by default) (KD330-Q170 only)	
AUDIO	Audio Codec	Realtek ALC888S-VD2-GR	
ETHERNET	Controller	KD330-Q170: 1 x Intel® I211AT PCIe (10/100/1000Mbps) 1 x Intel® I219LM PCIe with iAMT11.0 (10/100/1000Mbps) (only Core i7/i5 supports iAMT) KD330-H110: 1 x Intel® I211AT PCIe (10/100/1000Mbps) 1 x Intel® I219V PCIe (10/100/1000Mbps)	
LED	Indicators	1 x Power LED 1 x Storage LED	
REAR I/O	Ethernet	2 x GbE (RJ-45)	
	Serial	1 x RS-232/422/485 (RS-232 w/ power) (DB-9)	
	USB	4 x USB 3.0 2 x USB 2.0	
	PS/2	1 x PS/2 (mini-DIN-6)	
	Display	1 x VGA 1 x DVI-I (DVI-D signal) 1 x DP++	
	Audio	1 x Line-out, 1 x Mic-in	
	Buttons	1 x Power Button, 1 x Reset Button	
COOLING	Fan	1 x System Fan	
WATCHDOG TIMER	Output & Interval	System Reset, Programmable via Software from 1 to 255 Seconds	
SECURITY	TPM	Infineon TPM2.0 (optional)	
POWER	Supply	Flex ATX 150W/250W/350W/400W/500W (250W Default)	
OS SUPPORT		Windows 10 Linux	
MECHANISM	Construction	Sheet Metal	
	Mounting	Wall Mount	
	Dimensions (W x H x D)	349mm x 140.2mm x 290.9mm (13.74" x 5.52" x 11.45")	
	Weight	TBD	
ENVIRONMENT	Operating Temperature	0 to 45°C	
	Storage Temperature	0 to 60°C	
	Relative Humidity	5 to 95% RH (non-condensing)	
STANDARDS AND CERTIFICATIONS	Shock	Operating: 3G	Non-operating: 5G
	Vibration	Operating: Random 5~500Hz 0.5G	Non-operating: Sine 10~500Hz 1.5G
	Package Drop	ISTA Project 1A	
	Certification	CE, FCC Class A, RoHS	

▶ Wall Mounting



► Ordering Information

Model Name	Part Number	Description
WM343-KD330	750-WM3434-000G	uATX System, Black, KD330-Q170, w/5.25" + 3.5" Bay, Flex ATX 250W F/G SYSTEM RoHS
WM343-KD330	750-WM3434-100G	uATX System, Black, KD330-H110, w/5.25" + 3.5" Bay, Flex ATX 250W F/G SYSTEM RoHS

► Optional Items

Optional Items	Part Number	Description
CPU	TBD	CPU, LGA1151, Long-Term Support, RoHS
Memory	TBD	DIMM, DDR4 Module, 16GB, RoHS
	TBD	DIMM, DDR4 Module, 8GB, RoHS
	TBD	DIMM, DDR4 Module, 4GB, RoHS
2.5" HDD/SSD Support	531-510360-000G	One F3 x5 Copper Standoff, RoHS (note: one bay needs 4 pcs of standoff)
HDD	785-H351T0B	3.5" SATA HDD, 1TB, RoHS
	785-H35500G	3.5" SATA HDD, 500GB, RoHS
	785-H25500G	2.5" SATA HDD, 500GB, RoHS
	785-H25320G	2.5" SATA HDD, 320GB, RoHS
	785-S251TBG	2.5" SATA SSD, 1TB MLC, RoHS
	785-S25512G	2.5" SATA SSD, 512GB MLC, RoHS
	785-S25256G	2.5" SATA SSD, 256GB MLC, RoHS
	785-S25128G	2.5" SATA SSD, 128GB MLC, RoHS
	785-S25064G	2.5" SATA SSD, 64GB MLC, RoHS
Power Cord	785-PWRD	Power Cord, Standards (USA/EUR/CH), 1.8m, RoHS
Wall Mount	761-WM3410-000G	WM343/WM341 Wall Mount Kit, RoHS

► Packing List

• 1 WM343-KD330 System Unit
• 1 CPU cooler
• 1 SATA Data Cable (Length: 650mm)
• 4 HDD Screws
• 1 Quick Installation Guide
• 1 CD disk includes:
- Drivers / Manual
• 1 PSU Flex ATX 150W/250W/350W/400W/500W (250W Default)
• 1 System Fan