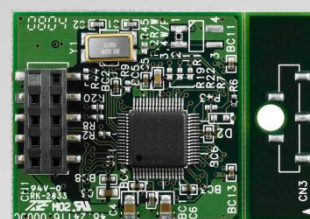


Apacer

The Most **Reliable**
Storage For Industries



UDMII Plus (Type C)



UDMII Plus (Type C)

Overview

Apacer's USB-Disk Module (UDM) II Plus is a high performance, embedded flash disk module designed to replace a conventional IDE hard disk drive. UDM SSD can be plugged into a standard Embedded USB connector commonly found in desktops, portable PC systems and industrial PC systems. This UDM SSD is well suited for embedded flash storage applications offering new and expanded functionality as well as more cost-effective designs, better performance and increased reliability.



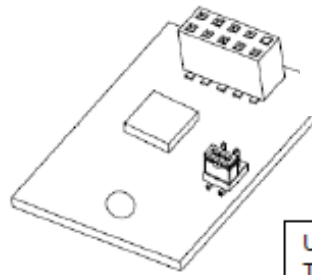
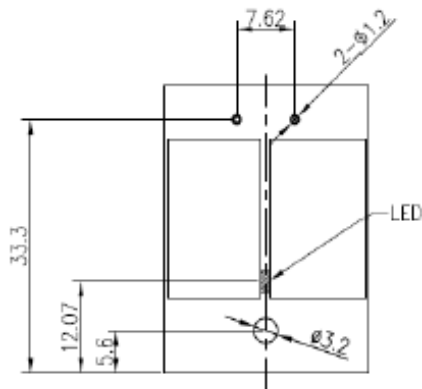
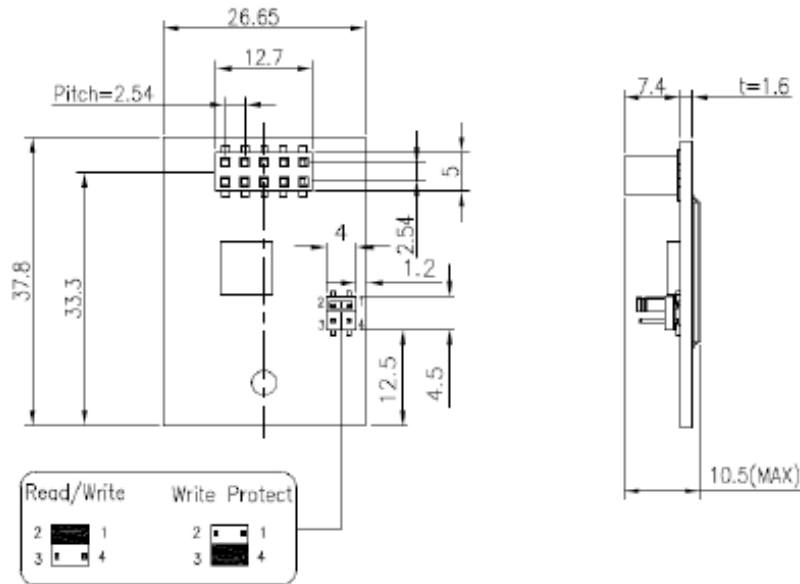
Feature

- Compliant with the standard USB specifications
- Compact size and varies in dimensions
- Support Linux / WinCE/ XP Embedded/Win7 Embedded
- Shock resistance and anti-vibration
- Low power consumption
- Standard 90 Degree Mounting Screw

Specifications

Model	UDMII Plus (Type C)
Interface	USB 2.0
Connector	10-pin USB (2 x 5 header)
NAND Flash Type	SLC
Capacity	256MB~32GB
External DRAM	No
Sustained Read Performance (MB/sec)	Up to 31
Sustained Write Performance (MB/sec)	Up to 21
ECC Engine	Built-in up to 24-bit per 1K bytes BCH ECC
NAND Flash Type	SLC
Standard Operating Temperature (°C)	0 ~ + 70
Extended Operating Temperature (°C)	-40~+85
Storage Temperature (°C)	-40 ~ + 100
Shock	Operation: 50G, 11ms Non-operation: 1500G, 0.5ms
Vibration	Operation: 7.69 Grms, 20~2000 Hz/random (compliant with MIL-STD-810G) Non-operation: 15G, 10 ~ 2000 Hz/sine
Operating Voltage	3.3 V ± 5%
Power Consumption	Active mode: 181 mA & Sleep mode: 402 μA
Dimension (L x W x H)	37.8 x 26.65 x 10.5
MTBF (hours)	>2,000,000

Mechanical Specification



Unit: mm
Tolerance: ± 0.2

Unit: mm

For more information, contact your Apacer representative

Global Presence

Taiwan (Headquarters)
Apacer Technology Inc.
Tel: +886-2-2267-8000
Fax: +886-2-2267-2261

Europe
Apacer Technology B.V.
Tel: +31-40-267-0000
Fax: +31-40-290-0686

U.S.A.
Apacer Memory America, Inc.
Tel: +1-408-518-8699
Fax: 1-510-249-9551

China
Apacer Electronic(Shanghai)
Co., Ltd.
Tel: +86-21-6228-9939

Japan
Apacer Technology Corp.
Tel: +81-3-5419-2668
Fax: +81-3-5419-0018

India
Apacer Technologies Pvt. Ltd.
Tel: +91-80-41529061~3
Fax: +91-80-41700215