

IPC-5122

Desktop/Wallmount Chassis for MicroATX Motherboard



Features

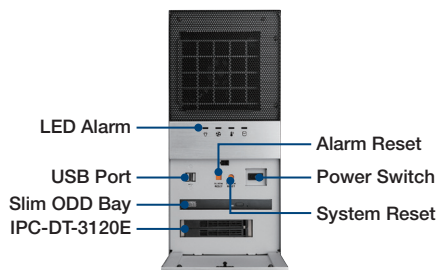
- Shockproof drive bay for slim ODD and 3.5" or 2.5" HDD
- Lockable front door prevents unauthorized access
- LED indicators for system fault detection
- Easy-to-maintain system fan and reusable air filter
- Built-in Intelligent System Module enabling whole system fan control and remote manageability

Quiet Specifications

CE FCC

		External	Internal
Drive Bay	Slim Optical Drive	1	-
	3.5"	1	1
Cooling	Fan	1 (12 cm / 85 CFM)	
	Air Filter	Yes	
Front I/O Interface	USB 2.0	2 (Front accessible)	
Miscellaneous	LED Indicators	Power, HDD, fan and temperature	
	Control	Power switch, alarm reset and system reset buttons	
	Rear Panel	Six 9-pin D-Sub openings	
Intelligent System Module Remote Monitoring	CPU/System fan speed , CPU/System temperature , motherboard voltage (Only selected Advantech MBs/CPU cards with WISE-PaaS/RMM installed can fully enable these functions, check with Advantech local rep. for detailed information.)		
Environment	Temperature	Operating 0 ~ 40 °C (32 ~ 104 °F)	Non-Operating -20 ~ 60 °C (-4 ~ 140 °F)
	Humidity	10 ~ 85% @ 40 °C, non-condensing	
	Vibration (5 ~ 500 Hz)	1 Grms	
	Shock	10 G (with 11 ms duration, half sine wave)	
	Dimensions (W x H x D)	157 x 360 x 340 mm (6.2" x 14.2" x 13.4")	
Physical Characteristics	Weight	6.5 kg (14.3 lb)	

Front View



Inside View



Rear View



Note: Hot swap drive bay module and Slim ODD should be bought separately.



Easy-open door

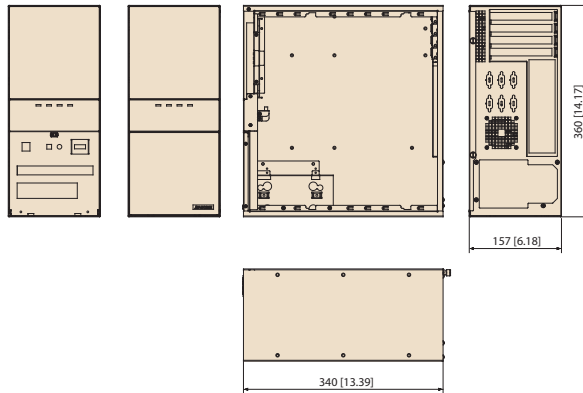


Gently press the hook to pull the air filter out



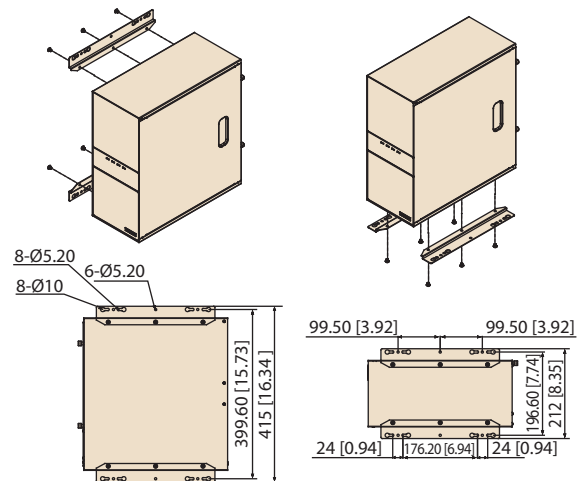
Dimensions

Unit: mm [inch]



Installation

Unit: mm [inch]



Ordering Information

Part Number	Description
IPC-5122-00XE	Without power supply, with ATX switch

Optional Accessories

Part Number	Description
IPC-DT-3120E	Mobile rack for converting a 3.5" drive bay to dual 2.5" SATA HDD trays

Power Supply Options

(For detailed power supply specs, please refer to Chapter 13)

Part number	80 Plus Grade	Wattage	Type	Input
PS8-300ATX-ZBE	Bronze	300W	Single	AC 100-240V (full-range)
PS8-400ATX-ZE	Bronze	400W	Single	AC 100-240V (full-range)