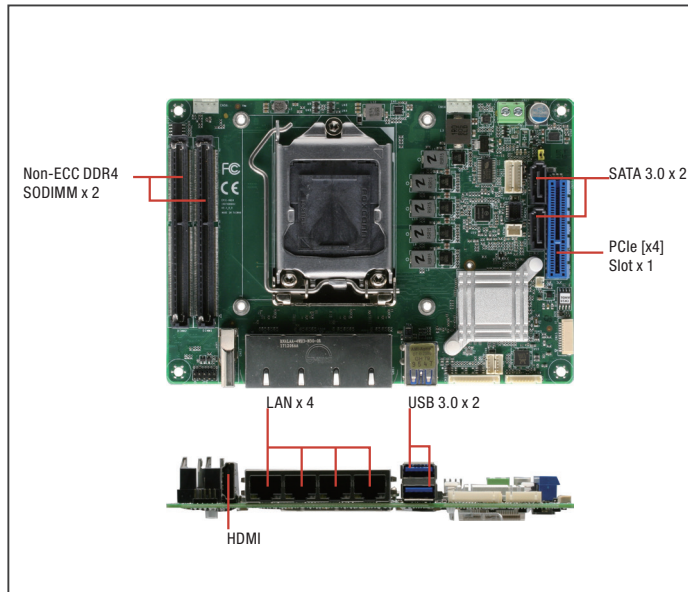


EPIC Board with 6th/7th Generation Intel® Core™ i-S series Processor (Socket Type)



Features

- 6th/7th Generation Intel® Core™ i-S series Processor (Socket Type)
- DDR4 (Non-ECC) SODIMM x 2, 2133MHz, up to 32G
- VGA (Internal)/HDMI Display
- USB 3.0 x 2 (Rear IO), USB 2.0 x 2 (Internal)
- mSATA/Mini-PCIe Full Size x 1 (Default: mSATA, Optional for Mini-PCIe by BOM Change)
- Audio Codec with Amp, SATA 6.0 Gb/s x 2, GPIO x 8, RS-232/422/485 x 2 (Internal)
- 12V Only

Specifications

System	
Form Factor	4" EPIC Board
CPU	CPU Socket Type
CPU Frequency	6th/7th Generation Intel® Core™ i3/i5/i7/Celeron® (Support up to 65W SKU)
Chipset	H110/H170/Q170 (6W)
Memory Type	DDR4 (Non-ECC) SODIMM x 2, 2133MHz, up to 32GB
Max. Memory Capacity	Up to 32GB
BIOS	AMI
Wake on LAN	Yes
Watchdog Timer	255 Levels
Power Requirement	+12V, AT/ATX
Power Supply Type	AT/ ATX
Power Consumption (Typical)	—
Dimension (L x W)	4.53" x 6.50" (115 mm x 165 mm)
Operating Temperature	32°F ~ 140°F (0°C ~ 60°C)
Storage Temperature	-40°F ~ 176°F (-40°C ~ 80°C)
Operating Humidity	0% ~ 90% relative humidity, non-condensing
MTBF (Hours)	—
Certification	CE/FCC
Display	
VGA/LCD Controller	6th/7th Generation Intel® Core™ i3/i5/i7/Celeron®
Video Output	HDMI (Rear), VGA (Internal Only)
Backlight Inverter Supply	—
I/O	
Ethernet	Intel® i211 Gigabit Ethernet x 4
Audio	ALC269 (With Amp)
USB Port	USB3.0 x 2 (Rear IO) USB2.0 x 2 (Internal)
Serial Port	COM x 2 (All Internal), RS-232/422/485
Parallel Port (printer port)	—
HDD Interface	SATA 3.0 x 2
SSD	mSATA x 1 (Full size)
Expansion Slot	Mini-card x 1 (Full Size) (No SIM) PCIe[x4] Slot x 1
DIO	8-bit
TPM	—
Touch	—
SIM	—



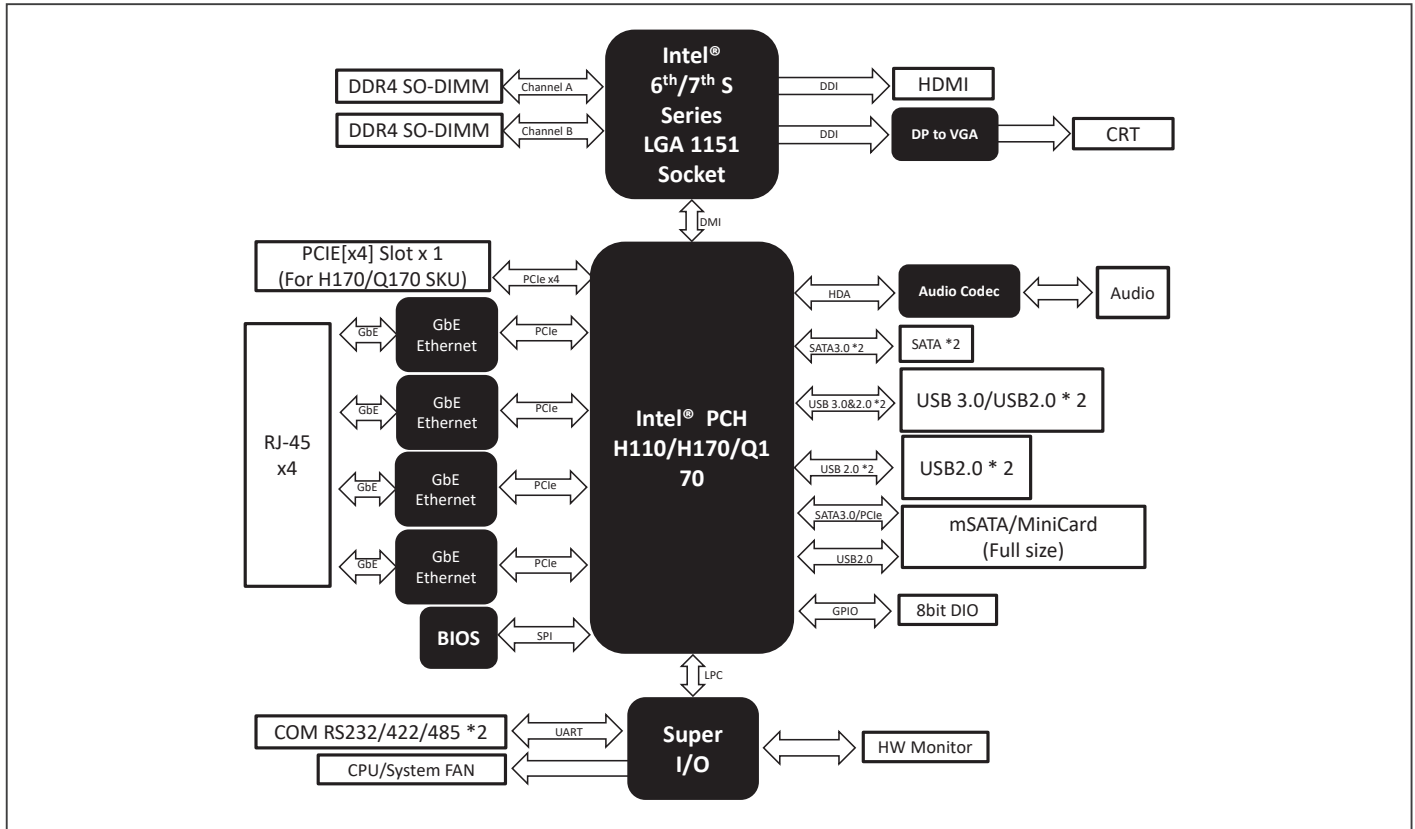
Packing List

- SATA Cable, Length 50cm (1709070500)
- SATA Power Cable, Length 15cm (1702150155)
- Jumper Cap (9657666600)
- Product DVD
- EPIC-KBS9

Optional Accessories

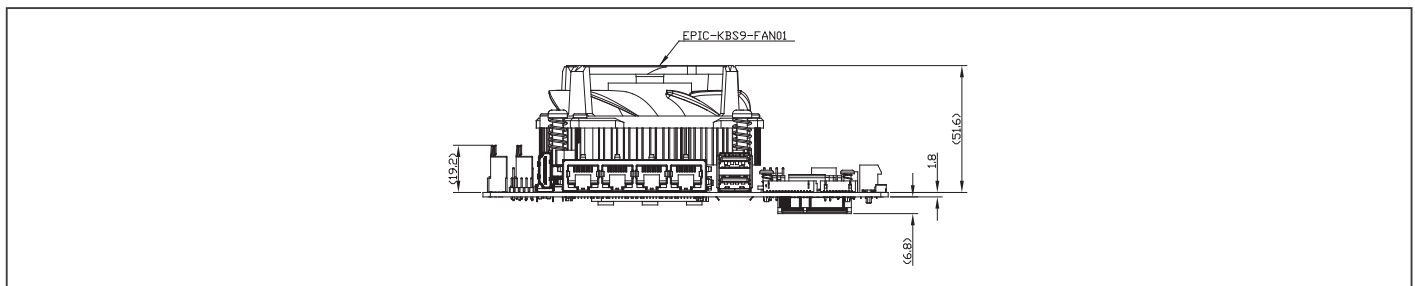
Part Number	Description	QTY
1702002010	Power Cable (2pin), Length 10cm	1
1709100254	Audio Cable (3pin), Length 25cm	1
1700050207	USB Cable (5pin), Length 20cm	2
1701090150	COM Cable (9pin), Length 15cm	2
1704150153	Internal VGA Cable	1
EPIC-KBS9-FAN01	CPU Cooler, for LGA115X, 12V/4P PWM, AL, for EPIC-KBS9	1

Block Diagram



Dimension

Unit: mm



Ordering Information

Part Number	CPU	Memory	Thermal	Display	Storage	LAN	USB	RS-232	RS-232/422/485	Expansion Slot	Power	Operating Temp	Others
EPIC-KBS9-A10-0001 (H110)	LGA1151 (Socket Type)	DDR4 x2 (Max 32G)	FAN	HDMI (Rear) x1 VGA (Internal) x1	SATAIII x2	GbE x4	USB3.0 x2 (Rear) USB2.0 x2 (Internal)	—	2	mSATA/MiniCard x1 (Full) (by BOM change for mPCIe)	+12V	0°C ~ 60°C	Audio, DIO x8
EPIC-KBS9-A10-0002 (H170)	LGA1151 (Socket Type)	DDR4 x2 (Max 32G)	FAN	HDMI (Rear) x1 VGA (Internal) x1	SATAIII x2	GbE x4	USB3.0 x2 (Rear) USB2.0 x2 (Internal)	—	2	PCIe[x4] x1 mSATA/MiniCard x1 (Full) (by BIOS change for mPCIe)	+12V	0°C ~ 60°C	Audio, DIO x8
EPIC-KBS9-A10-0003 (Q170)	LGA1151 (Socket Type)	DDR4 x2 (Max 32G)	FAN	HDMI (Rear) x1 VGA (Internal) x1	SATAIII x2	GbE x4	USB3.0 x2 (Rear) USB2.0 x2 (Internal)	—	2	PCIe[x4] x1 mSATA/MiniCard x1 (Full) (by BIOS change for mPCIe)	+12V	0°C ~ 60°C	Audio, DIO x8