

Fanless Embedded Box Computer, KMDA Series

KMDA-2620

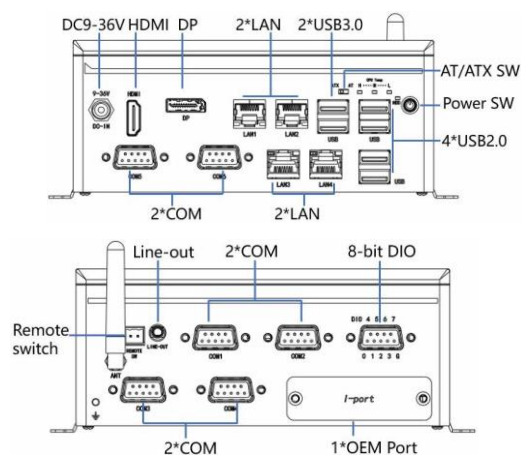
Intel® Apollolake Soc CPU, 4*LAN, 6*COM, 7*USB, 8-bit DIO, dual 4K display, DC-IN 9~36V, CPU Temp. show in LED, Compact design.

Key Features

- Compact Aluminum Chassis, Fanless Design
- Intel® Apollolake Pentium/Celeron Soc CPU
- 1*DDR3L 1866MHz SODIMM, up to 8GB
- 1*DP, 1*HDMI, Dual 4K display
- 4*Intel I211-AT PCIe Gig. LAN
- 2*USB3.0, 5*USB2.0, 6*COM, 8 bit DIO
- 1*M.2 2242 B-key, 1*mSATA
- 1*2.5" SATA3 driver Bay
- DC 9~36V Wide Power Input



KMDA-2620 is a compact dimension embedded box computer, with PCB to PCB multiple structure and fanless design. It Powered by Intel® Apollolake Pentium/Celeron Soc CPU, DDR3L 1866MHZ SODIMM memory up to 8GB. 4 Gig. LAN, 2*USB3.0, 5*USB2.0(1 inside), HDMI and DP dual 4K display, 8-bit DIO, 1*M.2 2242 B-key, 1*mSATA and 1*2.5" SATA bay. DC 9~36V wide power input, Operating temperature showing in LED, economic and reliable, it will be fit for Iot terminal and manufacture application.



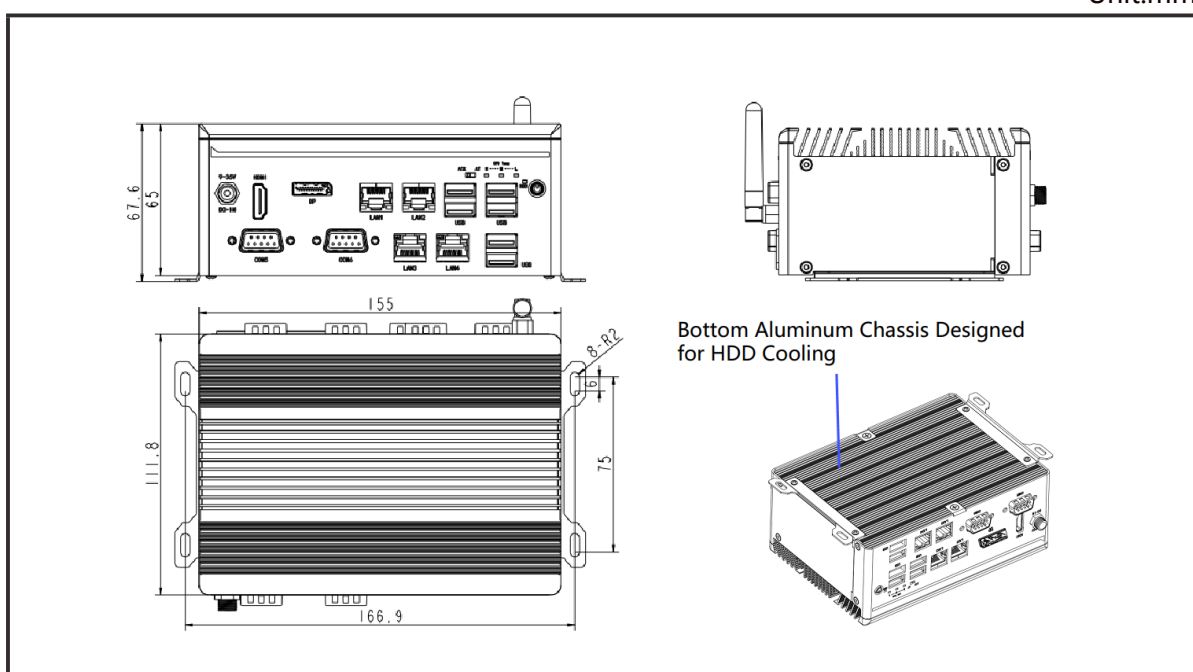
SPEC.

System	CPU	Intel® Apollolake Pentium/Celeron Soc CPU
	System Memory	1*DDR3L 1866MHz SODIMM, up to 8GB
	Expansion	1*M.2 2242 B-key w/ PCIeX1 and USB+ SIM slot, support 4G LTE/Wifi/BT ect. ; 1*Full size mSATA w/ USB2.0;
	Graphics	Gen.9th Intel® HD Graphics. The Max resolution, DP: 4096*2160@60Hz; HDMI: 3840*2160@30Hz; Support OpenGL 4.3, DirectX 11, OpenCL 2.0, MPGE2, H.265
	Audio	Realtek ALC662VD High Definition Audio, support 5.1 channel
	LAN	4*Intel I211AT PCIe Gigabit Ethernet, Integrated 10/100/1000M transceiver
	Keyboard/mouse	USB keyboard and mouse
	Storage	1*2.5" HDD bay, SATA3 6.0Gbps, cooling by aluminum cover; 1*mSATA full size, dual AHCI
	DIO	8-bit TTL signal, programmable input and output
	I-port	Optional 1*USB2.0 or Mini PCIe module I/O ports (such as CAN Bus, Gig LAN etc.)
	I/O ports	4*RJ45 w/LED Gig-LAN (Front) 2*USB3.0 Type A (Front); 4*USB2.0 Type A (Front), 1*USB2.0 Type A (Inside) 1*DB9 connector 8bit DIO (Rear) 4*RS232/422/485 DB9 male (Rear), 2*RS232 DB9 male (Front) 1*HDMI (Front) + 1*DP (Front); 1*Audio-out 3.5mm phone jack (Rear) 1*2pin terminal connector, with power sw signal (Rear)
	LED	1*Power LED, 1*HDD LED, 3*CPU term. LED (Red is warning, Yellow is high, Green is normal)
	Control SW	1*Power button (Front); 1*2pin ter. power-on signal (Rear), 1*AT/ATX Select dip (Front) DC 9~36V
Power Supply	Input, D-Jack with M8 screw (Front) ; Consumption TDP: 12V/1.67A (E3940 CPU, 4G DDR3L)	
Watchdog Timer	Watchdog timeout programmable via software 1 to 255 second	
OS Support	Windows 10, Linux Fedora Ubuntu	

Mechanical	Structure	Top/bottom aluminum chassis, SGCC frame
	Color	Silver
	Mounting	Desktop and VESA 100*100mm mounting
	Dimension	(W*H*D) : 155*111.8*65mm
	Net weight	1.3kg
Environmental	Operating temperature	-20°C~65°C – Fanless with wide operating temp.SSD, airflow -10°C~55°C – Fanless with HDD, airflow
	Storage Temperature	-40°C~85°C
	Storage Humidity	10~90%@40°C, Non-condensing
	Vibration	5 grms/5~500Hz/ random/in working(SSD); 1 grms/5~500Hz/random/in working(HDD)
	Shock	50g peak acceleration(11ms duration)(SSD); 20g peak acceleration(11ms duration)(HDD)
	Certification/EMC	CE/FCC Class A

Dimension


Unit:mm



Ordering Info.

Model No.	Introduction
KMDA-2620/S001	Fanless Embedded Box Computer, Intel® N3350 CPU, 4*LAN, 2*USB3.0, 5*USB2.0, 6*COM, 8bit DIO, 1*HDMI, 1*DP, 1*Audio out, 1*M.2, 1*mSATA, 1*I-port, 1*2.5" HDD bay, DC 9~36V
KMDA-2620/S002	Fanless Embedded Box Computer, Intel® E3940 CPU, 4*LAN, 2*USB3.0, 5*USB2.0, 6*COM, 8bit DIO, 1*HDMI, 1*DP, 1*Audio out, 1*M.2, 1*mSATA, 1*I-port, 1*2.5" HDD bay, DC 9~36V
KMDA-2620/S003	Fanless Embedded Box Computer, Intel® N4200 CPU, 4*LAN, 2*USB3.0, 5*USB2.0, 6*COM, 8bit DIO, 1*HDMI, 1*DP, 1*Audio out, 1*M.2, 1*mSATA, 1*I-port, 1*2.5" HDD bay, DC 9~36V
KMDA-2620/S004	Fanless Embedded Box Computer, Intel® E3930 CPU, 4*LAN, 2*USB3.0, 5*USB2.0, 6*COM, 8bit DIO, 1*HDMI, 1*DP, 1*Audio out, 1*M.2, 1*mSATA, 1*I-port, 1*2.5" HDD bay, DC 9~36V
KMDA-2620/T001~4	Fanless Embedded Box Computer, Intel® Apollolake Soc CPU, 2*LAN, 2*USB3.0, 3*USB2.0, 4*COM, 8bit DIO, 1*HDMI, 1*DP, 1*Audio out, 1*M.2, 1*mSATA, 1*I-port, 1*2.5" HDD bay, DC 9~36V
PA-60DC12	AC/DC power adapter, DC 12V/5A 60W

*All specifications and photos are subject to change without notice.

 .cn © 2018 Jhctech.Co., Ltd.All rights reserved.

Updated Aug., 6th, 2019