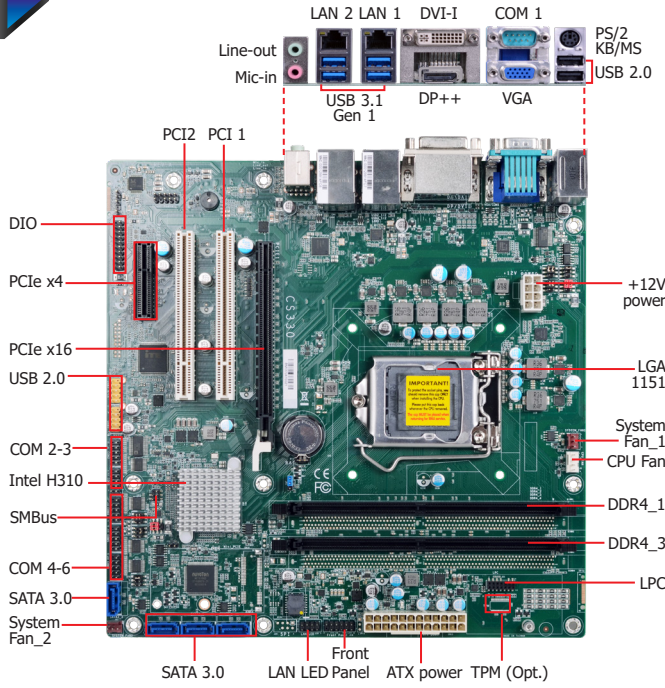


CS330-H310

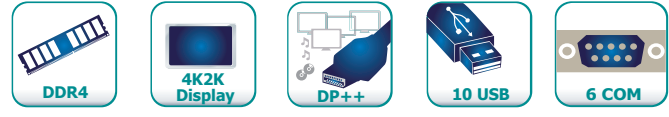
Desktop

H310



Features

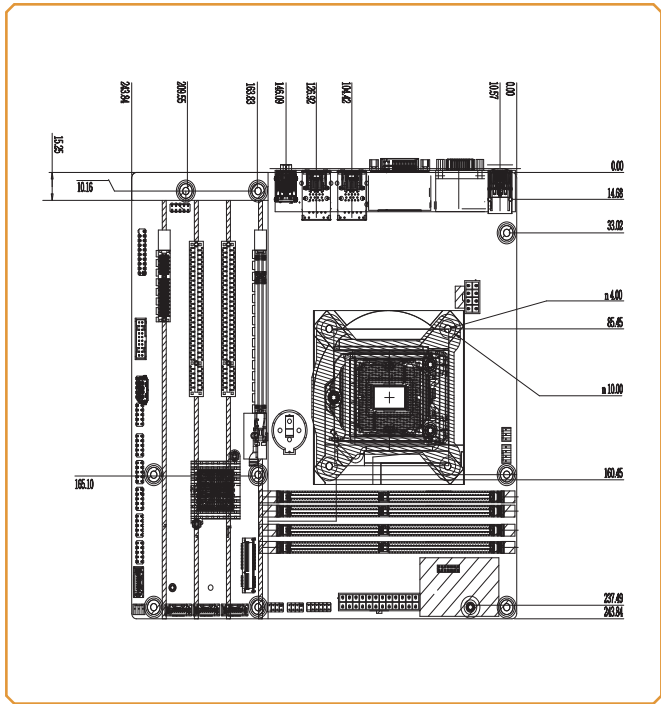
- 2 DDR4 DIMM up to 32GB
- Three display ports: VGA, DVI-D, DP++ Supports two independent displays
- DP++ resolution up to 4096x2160 @ 60Hz DVI-D resolution up to 1920x1200 @ 60Hz
- Multiple expansion: 1 PCIe x16, 1 PCIe x4, 2 PCI
- Rich I/O: 2 Intel GbE, 6 COM, 4 USB 3.1 Gen 1, 6 USB 2.0



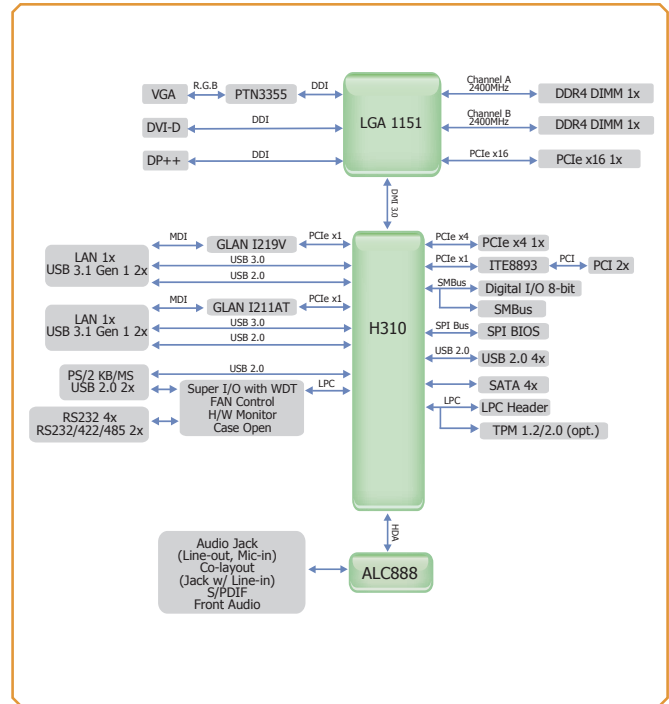
Ordering Information

Model Name	P/N	Memory	GbE	RS-232/422/485	RS-232	USB 3.1 Gen 1	USB 2.0	Power	Thermal	Temp.
CS330-H310C	770-CS3301-000G	2 DIMM	2	2	4	4	6	24-pin ATX / 8-pin ATX 12V	Active	0 to 60°C

Mechanical Drawing



Block Diagram



Specifications

SYSTEM	Processor	8th Generation Intel® Core™/Pentium®/Celeron® Processors, LGA 1151 Socket, TDP up to 95W and the following 9th Generation Intel® Core™ Processors: 9th Generation Intel® LGA 1151 Socket Processors Intel® Core™ i7-9700TE (8 Cores, 12M Cache, up to 3.8 GHz); 35W Intel® Core™ i5-9500E (6 Cores, 9M Cache, up to 4.2 GHz); 65W Intel® Core™ i5-9500TE (6 Cores, 9M Cache, up to 3.6 GHz); 35W Intel® Core™ i3-9100E (4 Cores, 6M Cache, 3.7 GHz); 65W Intel® Core™ i3-9100TE (4 Cores, 6M Cache, to 3.2 GHz); 35W	
	Chipset	Intel® H310 Chipset	
	Memory	Two 288-pin DIMM up to 32GB	Dual Channel DDR4 2400/2666 MHz
	BIOS	AMI SPI 128Mbit	
GRAPHICS	Controller	Intel® HD Gen 9 Graphics	
	Feature	OpenGL 5.0, DirectX 12, OpenCL 2.1 HW Decode: AVC/H.264, MPEG2, VC1/WMV9, JPEG/MJPEG, HEVC/H265, VP8, VP9 HW Encode: MPEG2, AVC/H264, JPEG, HEVC/H265, VP8, VP9	
	Display	1 x VGA 1 x DVI-I (DVI-D signal) 1 x DP++	VGA: resolution up to 1920x1200 @ 60Hz DVI-D: resolution up to 1920x1200 @ 60Hz DP++: resolution up to 4096x2304 @ 60Hz
	Dual Displays	VGA + DVI-D / VGA + DP++ / DP++ + DVI-D	
EXPANSION	Interface	1 x PCIe x16 (Gen 3) 1 x PCIe x4 (Gen 2) 2 x PCI	
AUDIO	Audio Codec	Realtek ALC888	
ETHERNET	Controller	1 x Intel® I211AT (10/100/1000Mbps) 1 x Intel® I219V (10/100/1000Mbps)	
REAR I/O	Ethernet	2 x GbE (RJ-45)	
	USB	4 x USB 3.1 Gen 1 2 x USB 2.0	
	Serial	1 x RS-232/422/485 (RS-232 w/ power) (DB-9)	
	PS/2	1 x PS/2 (mini-DIN-6)	
	Display	1 x VGA 1 x DVI-I (DVI-D signal) 1 x DP++	
	Audio	1 x Line-out 1 x Mic-in 1 x Line-in (opt.)	
	INTERNAL I/O	Serial	1 x RS-232/422/485 (RS-232 w/ power) (2.54mm pitch) 4 x RS-232
USB		4 x USB 2.0 (2.54mm pitch)	
Audio		1 x S/PDIF 1 x Front Audio Header	
SATA		4 x SATA 3.0 (up to 6Gb/s)	
DIO		1 x 8-bit DIO	
LPC		1 x LPC	
SMBus		1 x SMBus	
WATCHDOG TIMER	Output & Interval	System Reset, Programmable via Software from 1 to 255 sec/min	
SECURITY	TPM	TPM 1.2/2.0 (Available Upon Request)	
POWER	Type	ATX	
	Connector	8-pin ATX 12V power	24-pin ATX power
	Consumption	TBD	
	RTC Battery	CR2032 Coin Cell	
OS SUPPORT		Windows 10 IoT Enterprise 64-bit Linux: Ubuntu 18.04	
ENVIRONMENT	Temperature	Operating: 0 to 60°C	Storage: -40 to 85°C without RTC Battery -30 to 60°C with RTC Battery
	Humidity	Operating: 5 to 90% RH	Storage: 5 to 90% RH
	MTBF	TBD	
MECHANICAL	Dimensions	microATX form factor	244mm (9.6") x 244mm (9.6")
	Height	PCB: TBD	Top Side: TBD, Bottom Side: TBD

Packing List

• 1 CS330-H310 motherboard	
• 1 COM port cable (W/Bracket, Length: 300mm, 2 x COM ports)	A81-015026-023G
• 1 Serial ATA data cable (W/LOCK, Length: 500mm)	332-553001-005G
• 1 I/O shield	A49-KD6000-000G
• 1 QR	933-CS3301-000G

Optional Items

• USB 2.0 port cable (Length: 350/398mm)	A81-001066-016G
• COM port cable (Length: 300mm, 2 x COM ports)	A81-015026-023G
• Serial ATA data cable (Length: 500mm, W/LOCK)	332-553001-005G
• Thermal solution (For 35W, Height: 37.3mm)	A71-101107-000G
• Thermal solution (For 65W, Height: 72.8mm)	552-200049-000G
• Thermal solution (For 95W, Height: 69.3mm)	761-103001-000G
• LPC EXT-RS232 module (4 x RS232 ports)	770-EXTRS1-000G
• LPC EXT-RS485 module (4 x RS485 ports)	770-EXTRS1-100G
• DP to HDMI Dongle	612-D2H13M-000G