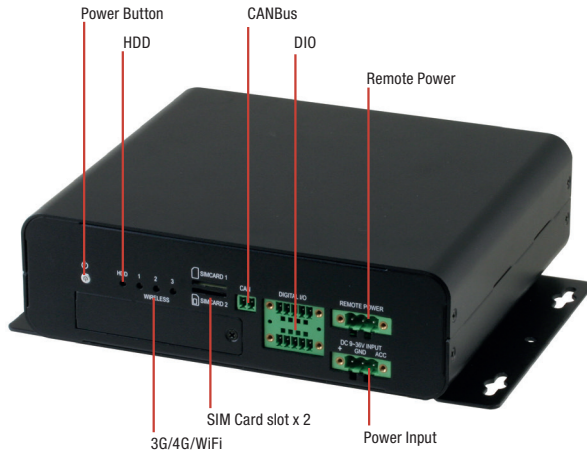
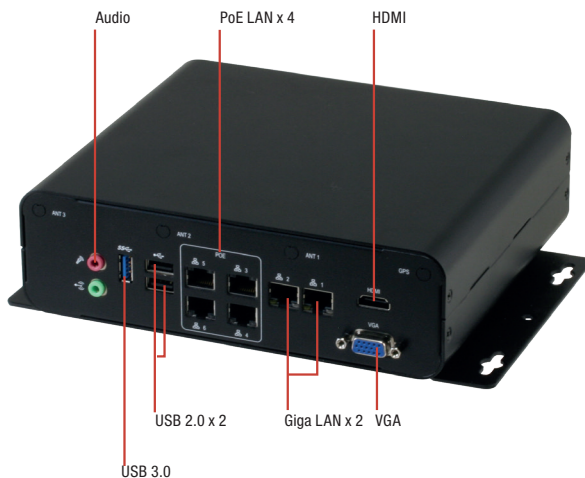


In-Vehicle Network Video Recorder Platform with Intel® Celeron® J1900 Processor SoC

Front View



Rear View



Features

- In-Vehicle Network Video Recorder Platform
- Fanless System
- 204-pin Single Channel DDR3L 1600 MHz SODIMM up to 8 GB
- Intel® Integrated Graphics Engine Supports Dual Independent Display by VGA x 1, HDMI x 1
- Realtek® Ethernet Connection x 6 w/4 Port PoE
- Mini-PCIe Socket x 3 (Full Card Size) , (1 x w/ USB)
- Built-in CAN 2.0B. Optional OBDII Function (SAE J1939/J1708)(UART Interface)
- EMARK Certified

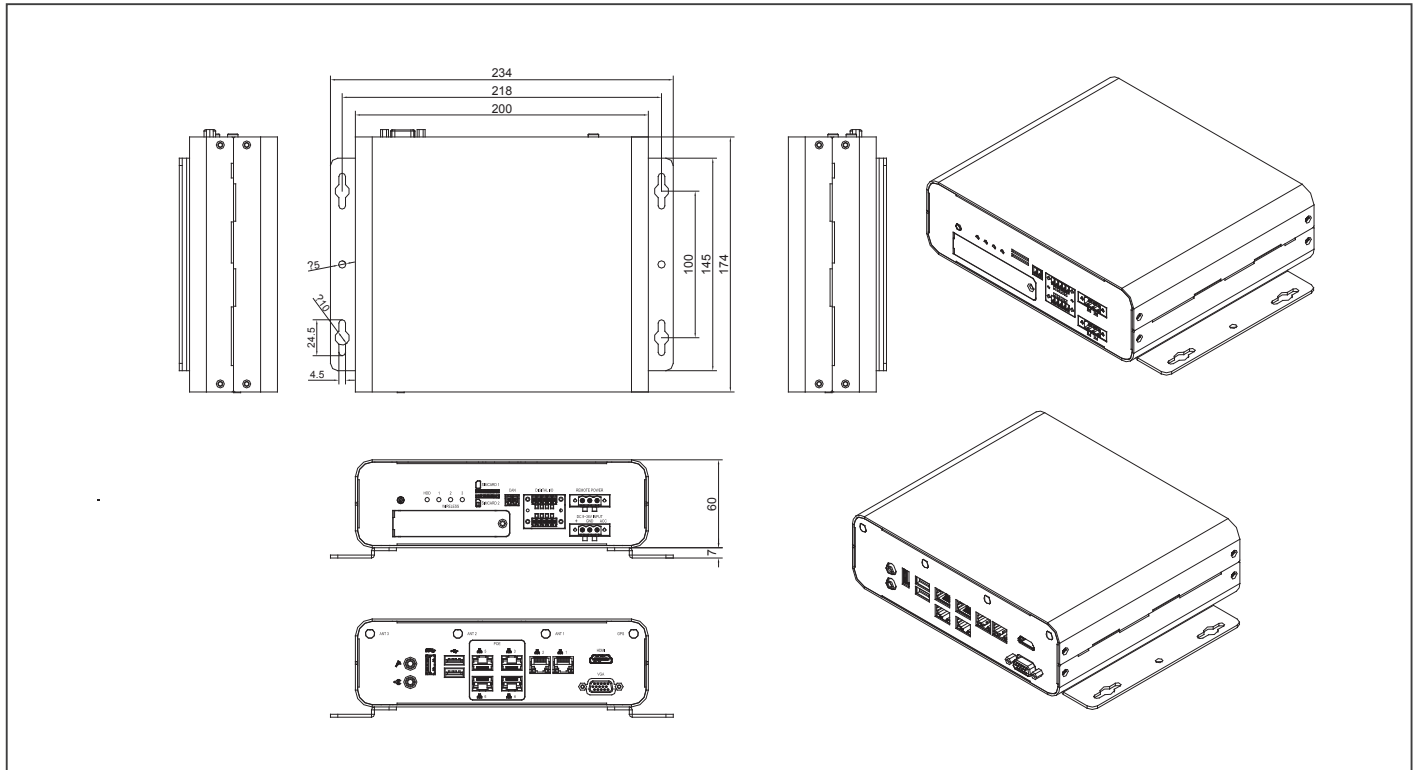


Specifications

| System | |
|-------------------------|---|
| Form Factor | In-Vehicle NVR |
| Processor | Intel® Celeron® J1900 Processor |
| Chipset | Quad Core SoC |
| Main Memory | Up to 8GB, DDR3L 204-pin SODIMM |
| Display | VGA x 1, HDMI x 1 |
| Ethernet | 10/100/1000Base-TX x 6 |
| PoE Ethernet Port | 4 ports, RJ-45 ports support IEEE 802.3 at/af with total PoE Power budget of 60W |
| RAID support | — |
| Expansion Slot | Mini-Card x 3, Built-in CAN 2.0B x 1 |
| GPS, G-Sensor | On board (GPS/GLONASS) |
| Front I/O Panel | Power Button x 1 Power Input x 1 Remote Power x 1 3G/4G/WiFi LED x 3 SIM slot x 2 HDD LED x 1 CanBus connector x 1 8bit DIO x 1, 4-ch digital input (Wet/dry contact with Isolation Protection 3,000 VDC) , 4-ch digital output (Compatible 5 V/TTL, 31 mA max. per channel) |
| Rear I/O Panel | VGA out x 1, HDMI x 1 GbE port (RJ-45) x 2 PoE LAN x 4 USB2.0 x 2, USB3.0 x 1 Audio Line-out x 1, Mic-In x 1 |
| Storage | |
| HDD Tray | 2.5" HDD/SSD Bay x 1 |
| CF/CFast/mSATA Slot | mSATA Slot x 1 (default; colay w/ 2.5" HDD x 1) |
| Environmental | |
| Operating Temperature | -4°F ~ 158°F (-20°C ~ 70°C) |
| Storage Temperature | -40°F ~ 185°F (-40°C ~ 85°C) |
| Storage Humidity | 10%~80% @40°C, non-condensing |
| Vibration/Shock | MIL-STD-810G |
| Certification | CE & FCC Class A, EMARK |
| Power Requirement | |
| Power Supply | DC 9-36V, with Ignition Pin |
| Mechanical | |
| Removable HDD Tray | 2.5" HDD x 2 (Optional, MOQ apply) |
| Internal System HDD Bay | 2.5" HDD x 1 (Optional SKU if support HDD x 2) |
| Dimension | 6.85" x 7.87" x 2.36" (174mm x 200mm x 60mm) |
| Gross Weight | 5.7 lb (2.6 kg) |
| Note | — |

Dimension

Unit: mm



Ordering Information

| Part Number | Chipset | RAM | Cooler | Storage | Display | LAN | PoE | USB | RS-232 | RS-232/422/485 | Expansion Slot | Form Factor | Power |
|----------------------|------------------|-------------------------------|---------|--|-------------------|---------|---------|------------------------|--------|----------------|---------------------------------------|-------------|------------|
| VPC-3300S-I4-A10-W1 | Intel® J1900 SoC | 8 GB, DDR3L 204-pin SODIMM | Fanless | 2.5" HDD tray x 1, mSATA slot x 1 (Optional SKU if support HDD x 2) | VGA x 1, HDMI x 1 | GbE x 6 | 4 Ports | USB3.0 x 1, UBS2.0 x 2 | — | — | Mini-Card x 3 Built-in CAN2.0B x 1 | Desktop | DC 9 - 36V |
| VPC-3300S-I4-A10-W11 | Intel® J1900 SoC | 2 GB, DDR3L 204-pin SODIMM | Fanless | 2.5" HDD tray x 1, mSATA slot x 1 (Optional SKU if support HDD x 2) | VGA x 1, HDMI x 1 | GbE x 6 | 4 Ports | USB3.0 x 1, UBS2.0 x 2 | — | — | Mini-Card x 3 Built-in CAN2.0B x 1 | Desktop | DC 9 - 36V |
| VPC-3300S-I4-A10-W12 | Intel® J1900 SoC | 4 GB, DDR3L 204-pin SODIMM | Fanless | 2.5" HDD tray x 1, mSATA slot x 1 (Optional SKU if support HDD x 2) | VGA x 1, HDMI x 1 | GbE x 6 | 4 Ports | USB3.0 x 1, UBS2.0 x 2 | — | — | Mini-Card x 3 Built-in CAN2.0B x 1 | Desktop | DC 9 - 36V |

Packing List

- Product CD
- VPC-3300S

Optional Accessories

- **1255901204**
120W Adapter, AC Input, 19V DC for VPC Series
- **9741909A00**
WiFi Module Kit, 802.11 a/b/g/n + BT 4.0, (Bointec DPE-909AA), with Cable & Antenna
- **17599RFA0B**
WiFi Antenna
- **1700010252**
WiFi Coaxial Cable
- **978966660G**
GPS Antenna
- **9741809000**
3G Module Kit, with Cable and Antenna, Sierra, MC8090
- **17599RFA09**
3G Antenna
- **1700010255**
3G Coaxial Cable
- **9741EC20E0**
PCIe Mini Card, 4G LTE Module Kit for Europe/Asia, Quectel, EC20-E