



WM342-KD330

Q170
H110

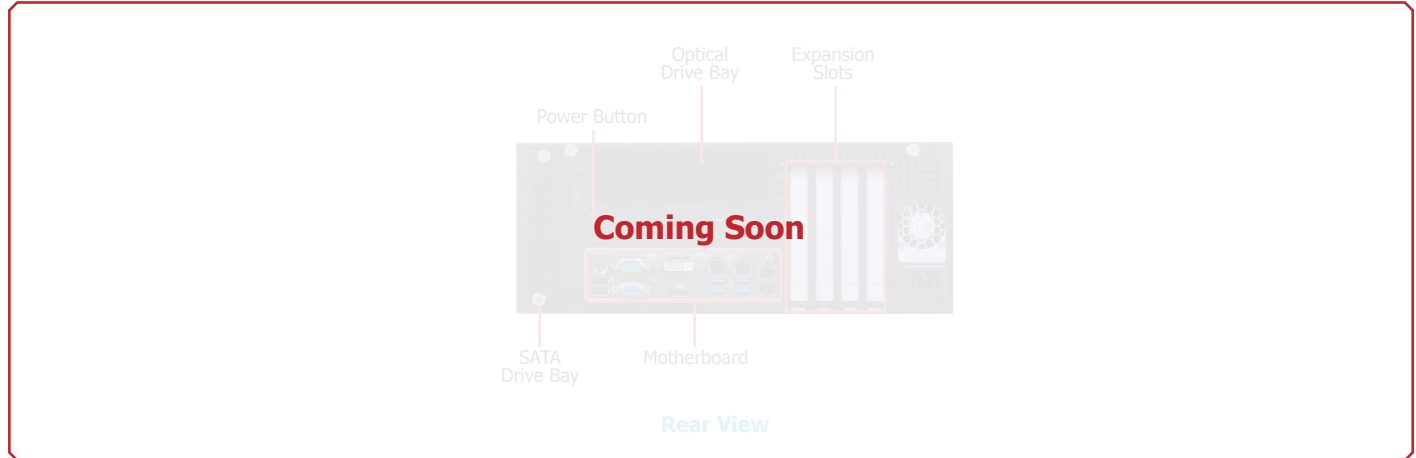


Features

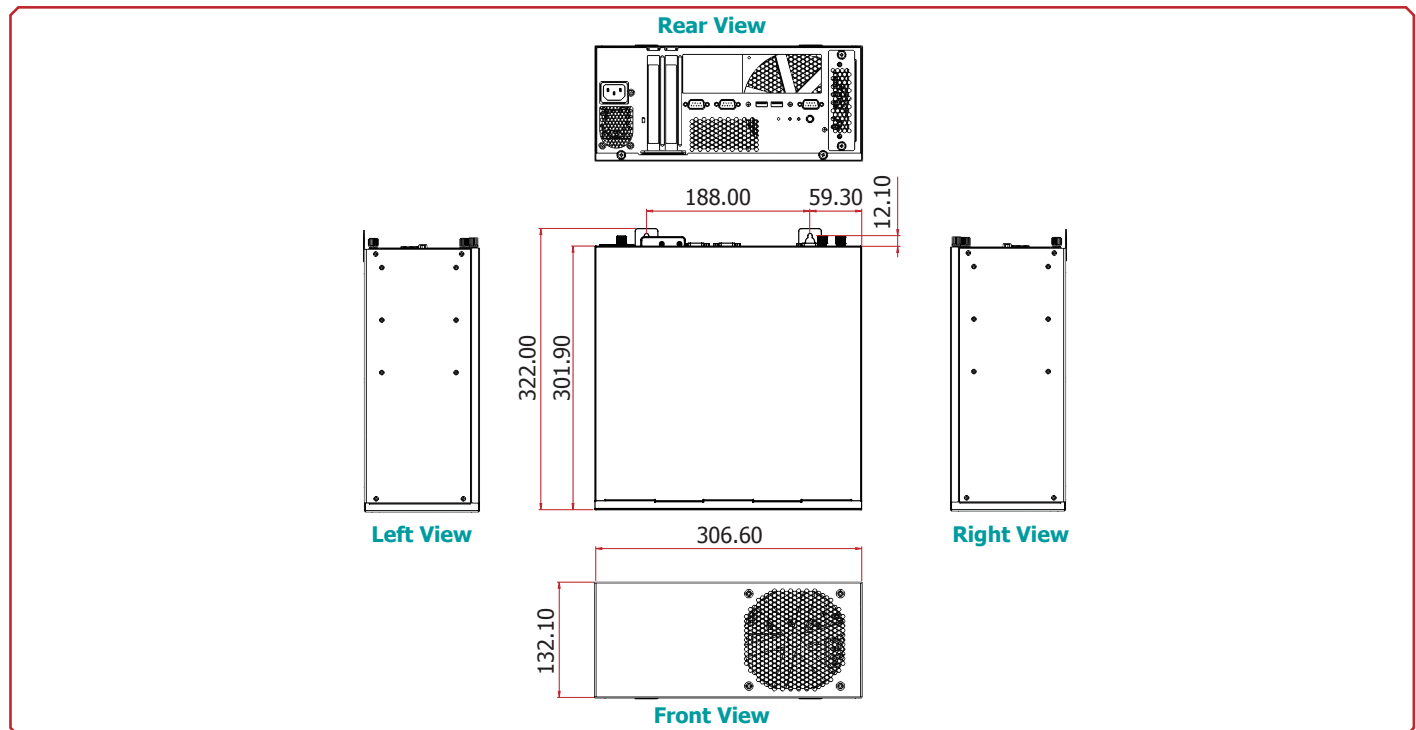
- 6th/7th Gen Intel Core Desktop/Wallmount Box PC
- Dual storage support
- One side I/O and 2 expansion slots
- Supports 1 PCIe x16, 1 PCI
- 12cm system fan



Panel



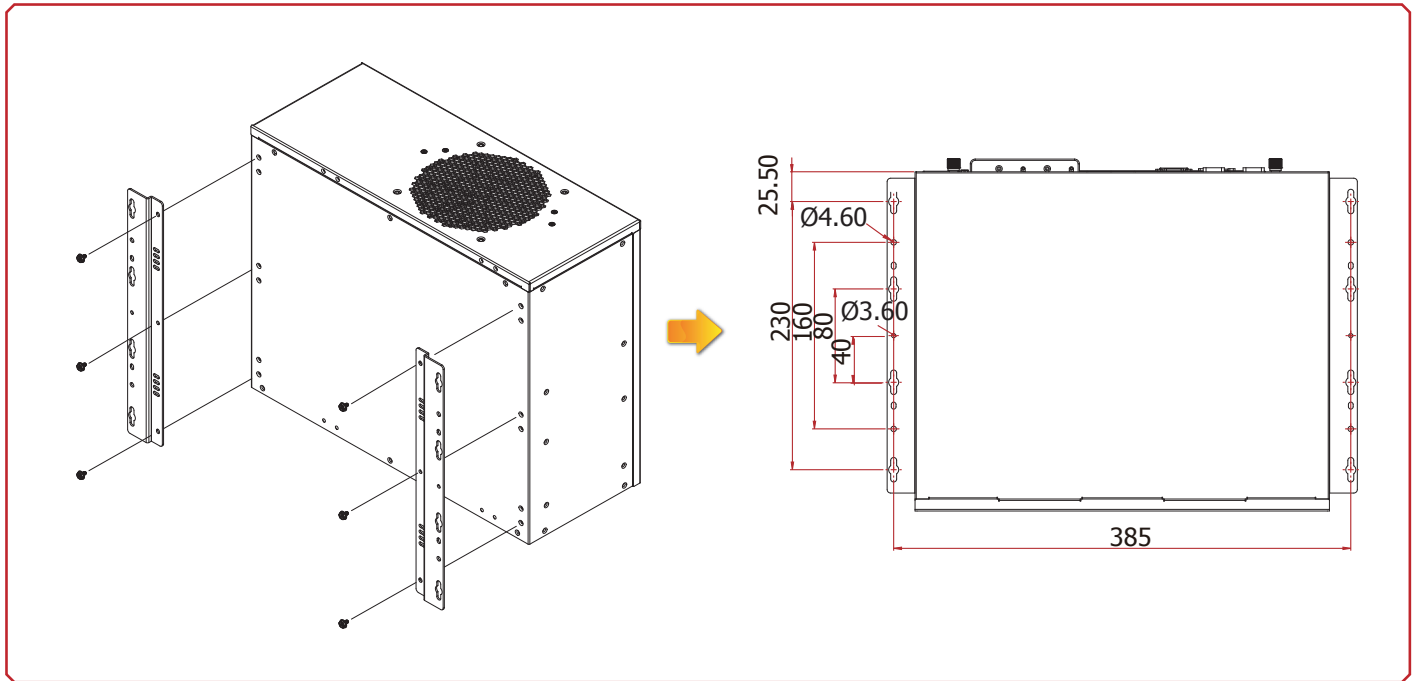
Dimensions



Specifications

| | | | |
|-------------------------------------|-------------------------------|--|---|
| SYSTEM | Processor | 6th/7th Generation Intel® Core™ Processors, LGA 1151 Socket Intel® Core™ i7-7700K Processor, Quad Core, 8M Cache, 4.2GHz (4.5GHz), 91W Intel® Core™ i7-7700 Processor, Quad Core, 8M Cache, 3.6GHz (4.2GHz), 65W Intel® Core™ i5-7500 Processor, Quad Core, 6M Cache, 3.4GHz (3.8GHz), 65W Intel® Core™ i3-7101E Processor, Dual Core, 3M Cache, 3.9GHz, 65W | |
| | Chipset | KD330-Q170: Intel® Q170 Chipset | KD330-H110: Intel® H110 Chipset |
| | Memory | KD330-Q170: Four 288-pin DIMM up to 64GB KD330-H110: Two 288-pin DIMM up to 32GB | |
| | BIOS | Insyde SPI 128Mbit | |
| GRAPHICS | Controller | Intel® HD Gen 9 Graphics | |
| | Feature | OpenGL 5.0, DirectX 12, OpenCL 2.1 HW Decode: AVC/H.264, MPEG2, VC1/WMV9, JPEG/MJPEG, HEVC/H265, VP8, VP9 HW Encode: MPEG2, AVC/H264, JPEG, HEVC/H265, VP8, VP9 | |
| | Display | 1 x VGA 1 x DVI-I (DVI-D signal) 1 x DP++ | VGA: resolution up to 1920x1200 @ 60Hz DVI-D: resolution up to 1920x1200 @ 60Hz DP++: resolution up to 4096x2304 @ 60Hz |
| | Triple Displays | VGA + DVI-I (DVI-D signal) + DP++ | |
| STORAGE | External | 2 x 2.5" SATA 3.0 Drive Bays (1 x 2.5" SATA drive bay, by default) | |
| EXPANSION | Interface | 1 x PCIe x16 (Gen 3) 1 x PCI | |
| AUDIO | Audio Codec | Realtek ALC888S-VD2-GR | |
| ETHERNET | Controller | KD330-Q170: 1 x Intel® I211AT PCIe (10/100/1000Mbps) 1 x Intel® I219LM PCIe with iAMT11.0 (10/100/1000Mbps) (only Core i7/i5 supports iAMT) KD330-H110: 1 x Intel® I211AT PCIe (10/100/1000Mbps) 1 x Intel® I219V PCIe (10/100/1000Mbps) | |
| LED | Indicators | 1 x Power LED 1 x Storage LED | |
| REAR I/O | Ethernet | 2 x GbE (RJ-45) | |
| | Serial | 1 x RS-232/422/485 (RS-232 w/ power) (DB-9) | |
| | USB | 4 x USB 3.0 2 x USB 2.0 | |
| | PS/2 | 1 x PS/2 (mini-DIN-6) | |
| | Display | 1 x VGA 1 x DVI-I (DVI-D signal) 1 x DP++ | |
| | Buttons | 1 x Power Button, 1 x Reset Button | |
| COOLING | Fan | 1 x System Fan | |
| WATCHDOG TIMER | Output & Interval | System Reset, Programmable via Software from 1 to 255 Seconds | |
| SECURITY | TPM | Infineon TPM2.0 (optional) | |
| POWER | Supply | Flex ATX 150W/250W/350W/400W/500W (250W Default) | |
| OS SUPPORT | | Windows 10 IoT | |
| MECHANISM | Construction | Sheet Metal | |
| | Mounting | Wall Mount | |
| | Dimensions (W x H x D) | 306.6mm x 132.1mm x 301.9mm | |
| | Weight | TBD | |
| ENVIRONMENT | Operating Temperature | 0 to 45°C | |
| | Storage Temperature | 0 to 60°C | |
| | Relative Humidity | 5 to 95% RH (non-condensing) | |
| STANDARDS AND CERTIFICATIONS | Shock | Operating: 3G | Non-operating: 5G |
| | Vibration | Operating: Random 5~500Hz 0.5G | Non-operating: Sine 10~500Hz 1.5G |
| | Package Drop | ISTA Project 1A | |
| | Certification | CE, FCC Class A, RoHS | |

▶ Wall Mounting



► Ordering Information

| Model Name | Part Number | Description |
|-------------|-----------------|---|
| WM342-KD330 | 750-WM3421-200G | uATX System, Black, KD330-Q170, DP, DVI, VGA, 2 LAN, 2 expansion, Flex ATX 250W F/G SYSTEM RoHS |
| WM342-KD330 | 750-WM3421-300G | uATX System, Black, KD330-H110, DP, DVI, VGA, 2 LAN, 2 expansion, Flex ATX 250W F/G SYSTEM RoHS |

► Optional Items

| Optional Items | Part Number | Description |
|-----------------------------|-----------------|---|
| CPU | TBD | CPU, LGA1151, Long-Term Support, RoHS |
| Memory | TBD | DIMM, DDR4 Module, 16GB, RoHS |
| | TBD | DIMM, DDR4 Module, 8GB, RoHS |
| | TBD | DIMM, DDR4 Module, 4GB, RoHS |
| 2.5" HDD/SSD Support | 531-510360-000G | One F3 x5 Copper Standoff, RoHS (note: one bay needs 4 pcs of standoff) |
| HDD | 785-H351T0B | 3.5" SATA HDD, 1TB, RoHS |
| | 785-H35500G | 3.5" SATA HDD, 500GB, RoHS |
| | 785-H25500G | 2.5" SATA HDD, 500GB, RoHS |
| | 785-H25320G | 2.5" SATA HDD, 320GB, RoHS |
| | 785-S251TBG | 2.5" SATA SSD, 1TB MLC, RoHS |
| | 785-S25512G | 2.5" SATA SSD, 512GB MLC, RoHS |
| | 785-S25256G | 2.5" SATA SSD, 256GB MLC, RoHS |
| | 785-S25128G | 2.5" SATA SSD, 128GB MLC, RoHS |
| | 785-S25064G | 2.5" SATA SSD, 64GB MLC, RoHS |
| Power Cord | 785-PWRD | Power Cord, Standards (USA/EUR/CH), 1.8m, RoHS |
| Wall Mount | 761-WM3410-000G | WM343/WM341 Wall Mount Kit, RoHS |

► Packing List

| |
|--|
| • 1 WM342-KD330 System Unit |
| • 1 CPU cooler |
| • 1 SATA Data Cable (Length: 650mm) |
| • 4 HDD Screws |
| • 1 Quick Installation Guide |
| • 1 PSU Flex ATX 150W/250W/350W/400W/500W (250W Default) |
| • 1 System Fan |