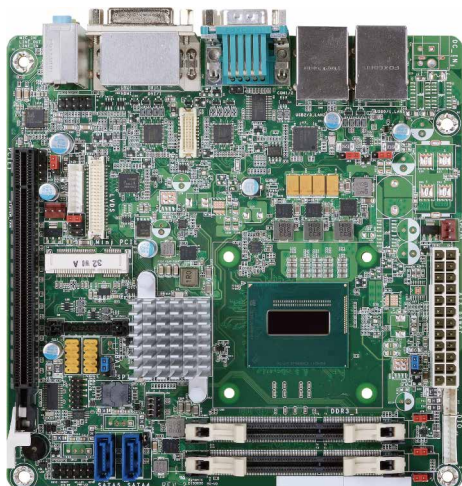


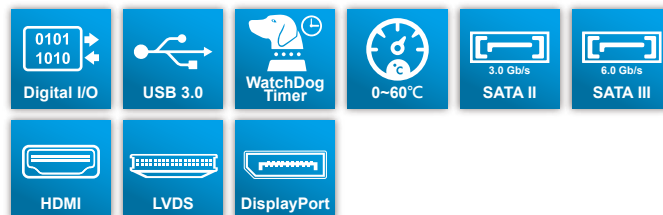
# AMB-QM87T1

Intel 4th Generation Core i3/i5/i7, 1 x HDMI, 1 x DP, 1 x LVDS,  
1 x DVI-I, 2 x GbE, 2 x COM, 2 x USB3.0, 6 x USB2.0, 1 x mini PCIe,  
1 x PCIe x16, 2 x SATA 3.0



## Features

- Mini-ITX Motherboard
- Intel QM87 chipset
- On board Intel 4th Generation Core i3/i5/i7 CPU
- HDMI/DVI-I/DP/LVDS
- 2 x GbE LAN, 2 x COM
- 2 x USB 3.0, 6 x USB 2.0
- 1 x mini PCIe, 1 x PCIe x16
- 2 x SATA 3.0



## Specification

### Specification

CPU	Intel® 4th Generation Haswell Core i7-4700EQ, 2.4GHz
Chipset	Intel QM87 Express Chipset
Memory	2 x DDR3L-1333/1600MHz, SO-DIMM, up to 16GB
BIOS	AMI UEFI BIOS

### Video

Graphic Controller	Intel® HD Graphics 4600
Video Interface	<ul style="list-style-type: none"> <li>• 1 x HDMI, Up to 4096 x 2304@24Hz, or 2560 x 1600@60Hz</li> <li>• 1 x DP, Up to 3200 x 2000@60Hz</li> <li>• 1 x LVDS, 24-bit LVDS, dual channel, Up to 1920 x 1200@60Hz</li> <li>• 1 x DVI-I, Up to 1920 x 1200@60Hz</li> </ul>

### Storage

SATA	2 x SATA III, Support RAID 0/1
------	--------------------------------

### I/O

Ethernet	2 x RJ45 GbE LAN
Ethernet Chip	1 x Intel I210, 1 x Intel I217LM phy
Expansion Slot	<ul style="list-style-type: none"> <li>• 1 x PCIe x16 slot (PCIe 3.0)</li> <li>• 1 x Mini PCIe, (half size, support USB, PCIe, mSATA)</li> </ul>
Serial Port	1 x RS232
USB	2 x USB 3.0 6 x USB 2.0
GPIO	8-bit Digital I/O
Audio	Realtek ALC888, 5.1channel High Definition Audio 1 x Line-out, 1 x MIC-in, 1 x Line-in, 1 x S/P DIF

### Power Requirement

Power Input	ATX
Power Output	3 x FAN Power connector

## Software

OS Support	Windows 7 (32 bit/64 bit), Windows 8.1 (32 bit/64 bit), Linux(by request), Windows XP (Limited function)
------------	--

## Mechanical & Environment

Dimension	170mm x 170mm (Mini-ITX form factor)
Operating Temp.	0~60°C
Storage Temp.	-20~75°C
Safety	RoHS

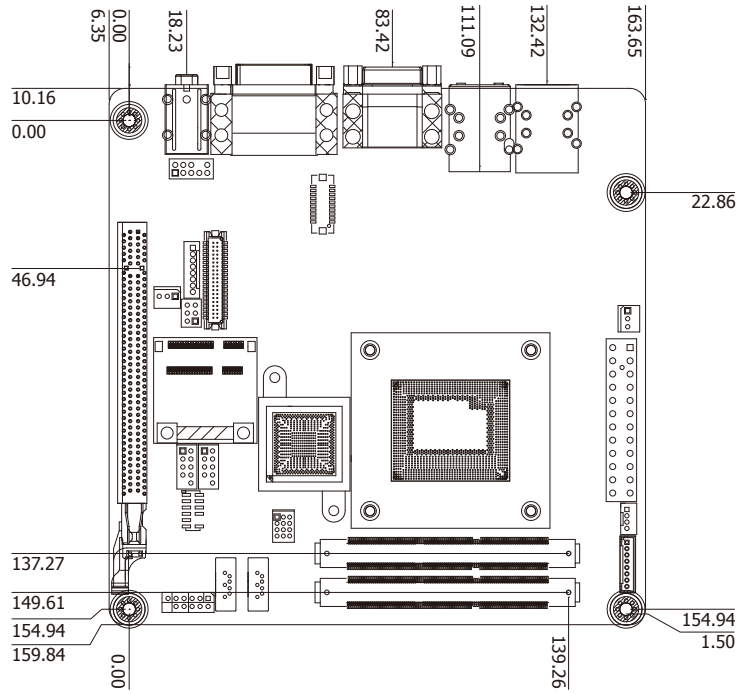
## Packing List

- 1 x AMB-QM87T1
- 1 x Driver CD
- 1 x Quick User Guide
- 1 x SATA Cable
- 1 x I/O Shielding

## Ordering Information

AMB-QM87T1-4700EQ	Intel 4th Core i7-4700EQ, 2.4GHz, 1 x HDMI, 1 x DP, 1 x LVDS, 1 x DVI-I, 2 x GbE, 2 x COM, 2 x USB3.0, 6 x USB2.0, 1 x mini PCIe, 1 x PCIe x16, 2 x SATA 3.0
AMB-QM87T1-4400E	Intel 4th Core i5-4400E, 2.7GHz, 1 x HDMI, 1 x DP, 1 x LVDS, 1 x DVI-I, 2 x GbE, 2 x COM, 2 x USB3.0, 6 x USB2.0, 1 x mini PCIe, 1 x PCIe x16, 2 x SATA 3.0
AMB-QM87T1-4100E	Intel 4th Core i3-4100E, 2.4GHz, 1 x HDMI, 1 x DP, 1 x LVDS, 1 x DVI-I, 2 x GbE, 2 x COM, 2 x USB3.0, 6 x USB2.0, 1 x mini PCIe, 1 x PCIe x16, 2 x SATA 3.0

# Dimension



# I/O Connectors

