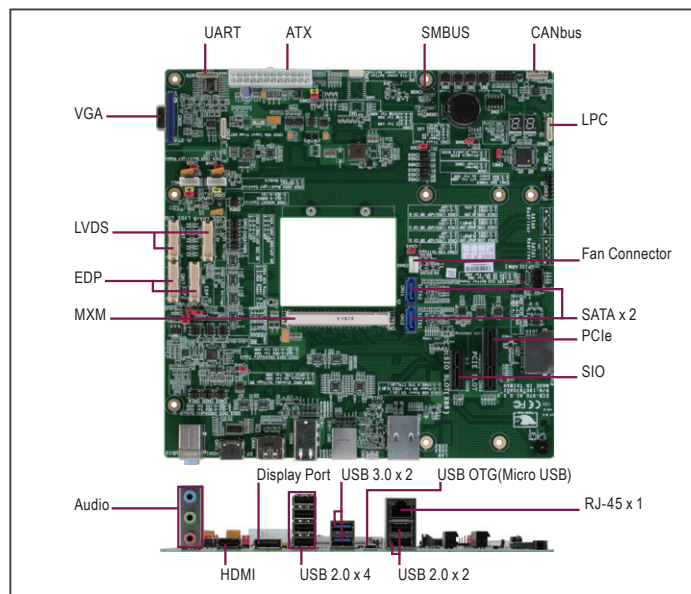


## Qseven Rev. 2.0 Carrier Board for ARM/x86 Solutions

Qseven CPU Modules



### Features

- Supports Qseven Module
- Supports Both ARM/x86 Based Q7 CPU module
- Gigabit Ethernet, RJ-45 x 1
- Up to 18-bit Single Channel LVDS Connector, VGA (for X86)
- Up to 24-bit Dual-Channel LVDS Connector or EDP, DP or HDMI (for ARM)
- High Definition Audio (for X86), I2S Audio Interface (for ARM)
- SATA Port x 2, SDIO x 1 (for X86), SATA Port x 1 (for ARM)
- USB 2.0 x 8, USB 3.0 x 2 (for X86), USB 2.0 x 5 (Shared One USB OTG)
- Qseven Specification 2.0
- LPC Connector x 1, Micro-ATX Form Factor



### Specifications

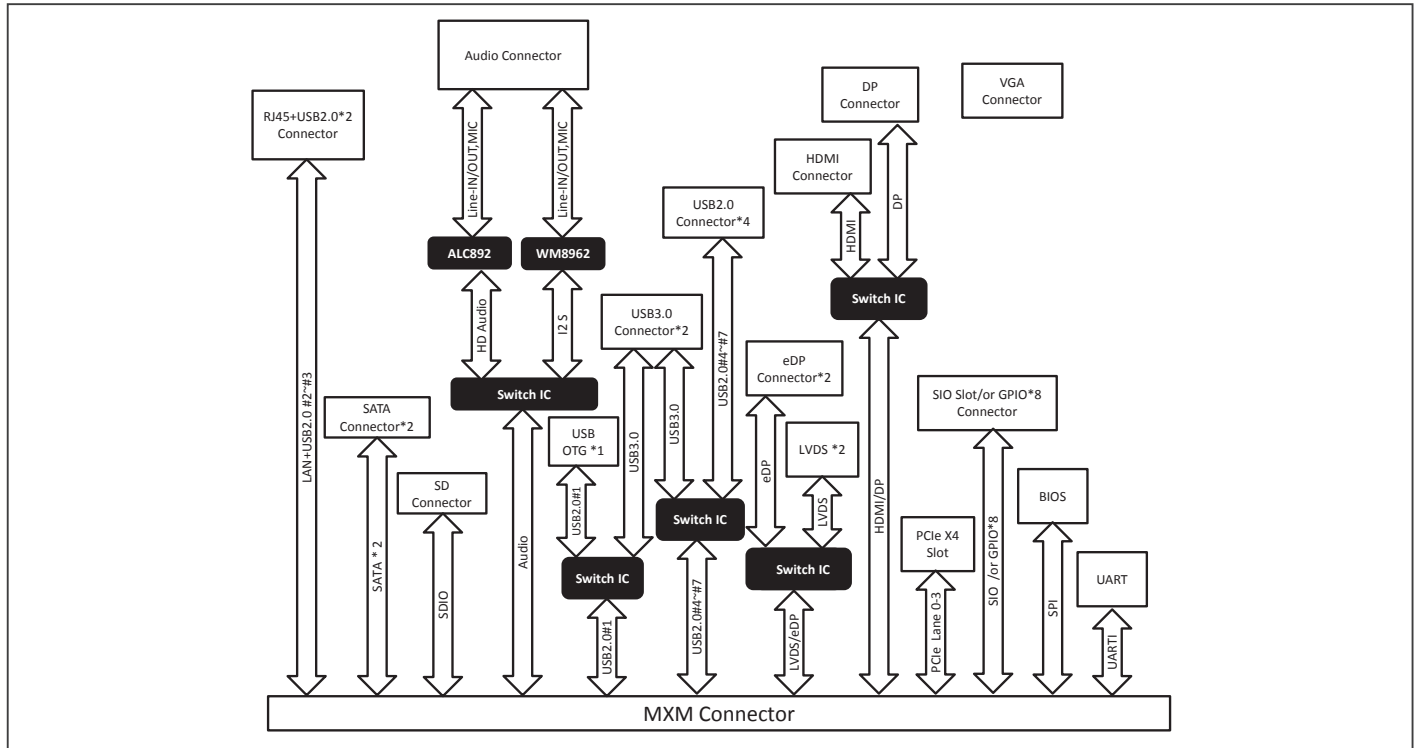
|                             |  |
|-----------------------------|--|
| <b>System</b>               | X86 (A10)  |
| Form Factor                 | Micro ATX  |
| I/O Chipset                 | —  |
| Ethernet                    | 10/100/1000Base-TX, RJ-45 x 1 (From CPU module)                      |
| Expansion                   | Interface PCI-E [x4] x 1(For Super I/O Card only), LPC Connector x 1 |
| Power Requirement           | +5V DC   |
| Power Consumption (Typical) | —  |
| Board Size                  | 9.65" x 9.65" (243.84mm x 243.84mm)                                  |
| Gross Weight                | 1.32 lb (0.6 kg)   |
| Operation Temperature       | 32°F ~ 140°F (0°C ~ 60°C)  |
| Storage Temperature         | -40°F ~ 185°F (-40°C ~ 85°C)   |
| Operation Humidity          | 0% ~ 90% relative humidity, non-condensing                           |
| MTBF (Hours)                | 75,000   |
| <b>Display</b>              | LVDS or EDP, DP or HDMI  |
| DVI/CRT                     | —  |
| LVDS                        | 18-bit Single Channel LVDS   |
| DDI                         | —  |
| <b>I/O</b>                  |  |
| Storage                     | SATA x 2, SDIO x 1   |
| Serial Port                 | RS-232 x 1, RS-232/422/485 x 1                                       |
| Parallel Port               | —  |
| USB                         | USB 2.0 x 8, USB 3.0 x 2   |
| PS/2 Port                   | —  |
| I2C                         | —  |
| Audio                       | Line-out, Microphone   |
| Debug LED                   | Port 80  |

\* Above function support will vary by different Q7 CPU modules or Platforms

### Packing List

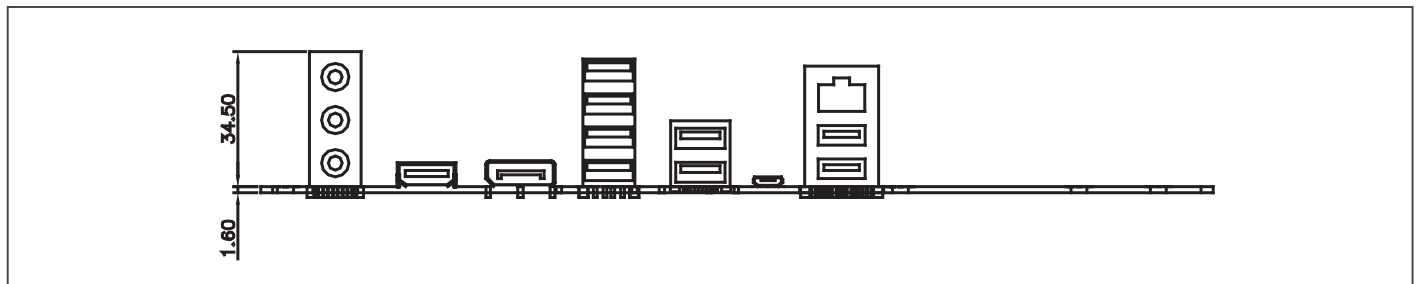
- PER-T289  
(PCI-E[x4] to PCI-E[x1]) Converter Board
- 1701090150  
COM Port Cable x 2
- 1709070500  
SATA Cable x 2
- Product CD
- ECB-970

## Block Diagram



## Dimension

Unit: mm



## Ordering Information

- ECB-970-A10**

Qseven Carrier Board, GbE, LVDS, Audio, COM, USB 2.0, USB 3.0, DC, Rev. A1.0 for X86