

FIT1-W10A-IMX6

10.1" Freescale™ i.MX6 Cortex™-A9 quad core 1.0 GHz

New

FIT1-W15A-IMX6

15.6" Freescale™ i.MX6 Cortex™-A9 quad core 1.0 GHz

New

FIT1-W18A-IMX6

18.5" Freescale™ i.MX6 Cortex™-A9 quad core 1.0 GHz

New



Features

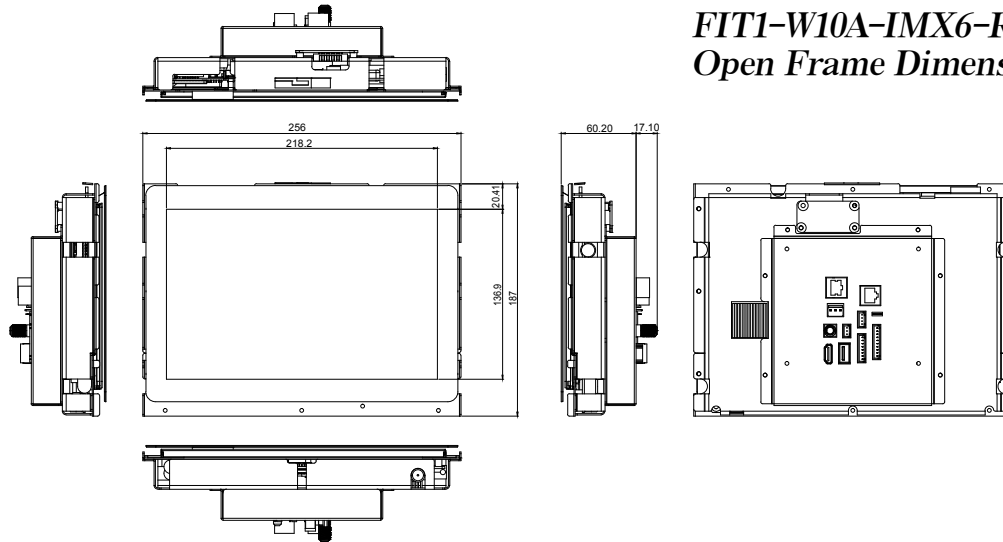
- Support Android 5.1 OS
- Flexible ID Design (Open Frame)
- IEI Customer Reference Board (10.1"/15.6"/18.5" share the same main board)
- Waterproof : IPX5 (For customized ID)
- Support BLE / ANT+ / NFC
- Support ATSC / DVBT TV Dongle



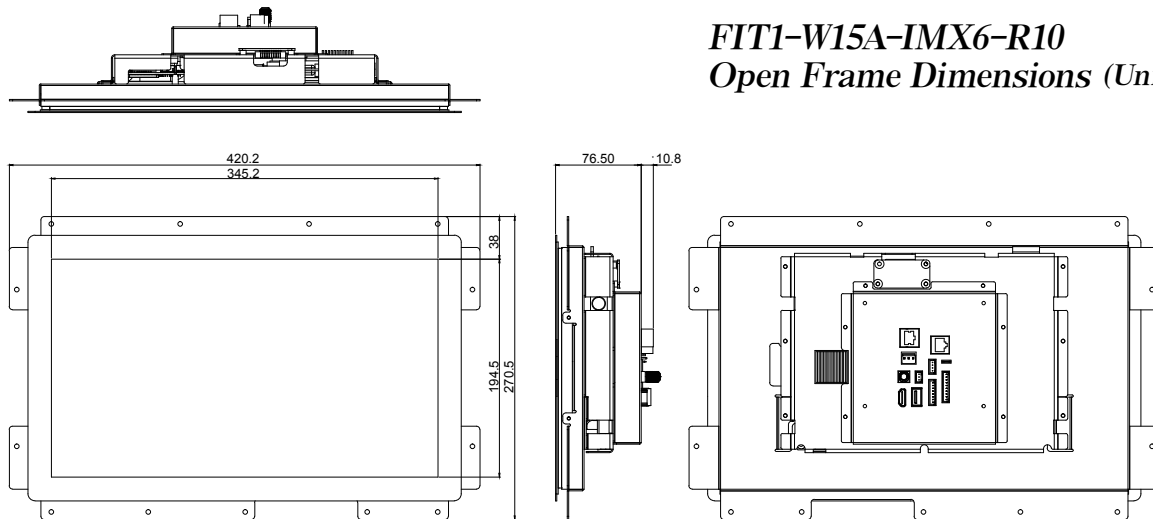
Specifications

Model	FIT1-W10A-IMX6-R10	FIT1-W15A-IMX6-R10	FIT1-W18A-IMX6-R10
Size	10.1"	15.6"	18.5"
Resolution	1280 (W) x 600 (H)	1366 (W) x 768 (H)	1366 (W) x 768 (H)
Brightness (cd/m ²)	250 (cd/m ²)	300 (cd/m ²)	400 (cd/m ²)
Contrast Ratio	600: 1	500: 1	1000 (Typ.)
LCD Color	16.7M	16.7M	16.7M
Pixel Pitch (mm)	0.1695 x 0.1695	0.252 x 0.252	0.3 x 0.3
Backlight MTBF (hrs)	30000	50000	50000
Touchscreen	Projected capacitive flat touch		
CPU	Freescale iMX6 Cortex-A9 Quad Core 1.0 GHz		
RAM	2GB DDR3 SDRAM		
Boot Flash	8G eMMC Nand Flash		
OS Support	Android 5.1		
Input / Output	1 x USB 2.0 1 x LCB Connector 1 x Csafe 2 x Hand Pulse Connector 1 x HDMI In 1 x Keypad Connector 1 x 10/100 Mbps Power over Ethernet 1 x SD Card Slot		
Audio	2 x 3W Audio		
Wireless	BT4.0 + WiFi 802.11 b/g/n		
Color	Black		
Dimensions (WxHxD) (mm)	256 x 187 x 77.3 mm	420 x 270 x 87mm	461 x 281 x 93mm
Operational Temperature (°C)	0°C~+40°C		
Storage Temperature (°C)	(-10°C~+50°C)		
Humidity	5%~95%		
Power Requirement	12~36V		
Power Consumption	12V @1.5A	12V @2.25A	12V @ 2.6A

FIT1-W10A-IMX6-R10
Open Frame Dimensions (Unit: mm)



FIT1-W15A-IMX6-R10
Open Frame Dimensions (Unit: mm)



FIT1-W18A-IMX6-R10
Open Frame Dimensions (Unit: mm)

