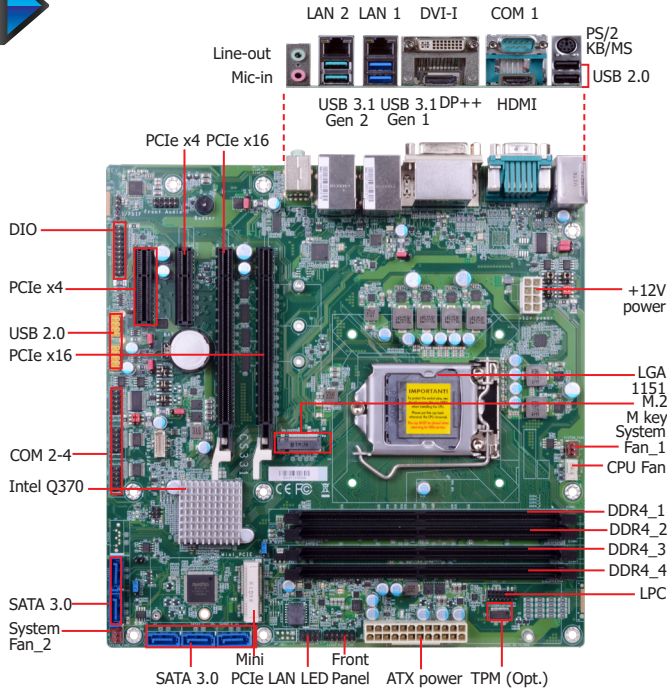




# CS331-Q370

Desktop

Q370

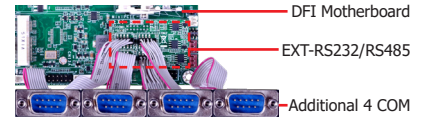


## Features

- 4 DDR4 DIMM up to 64GB
- Three display ports: DVI-D, DP++, HDMI (HDMI 2.0a opt.) Supports triple independent displays
- DP++ resolution up to 4096x2160 @ 60Hz  
DVI-D resolution up to 1920x1200 @ 60Hz  
HDMI 1.2 resolution up to 1920x1200 @ 60Hz  
HDMI 2.0a (opt.) resolution up to 4096x2160 @ 60Hz
- Multiple expansion: 2 PCIe x16 (1 x16 or 2 x8 signal), 2 PCIe x4, 1 mini PCIe, 1 M.2 M key (support Optane Memory)
- Rich I/O: 2 Intel GbE, 4 COM, 4 USB 3.1 Gen 2, 2 USB 3.1 Gen 1, 6 USB 2.0



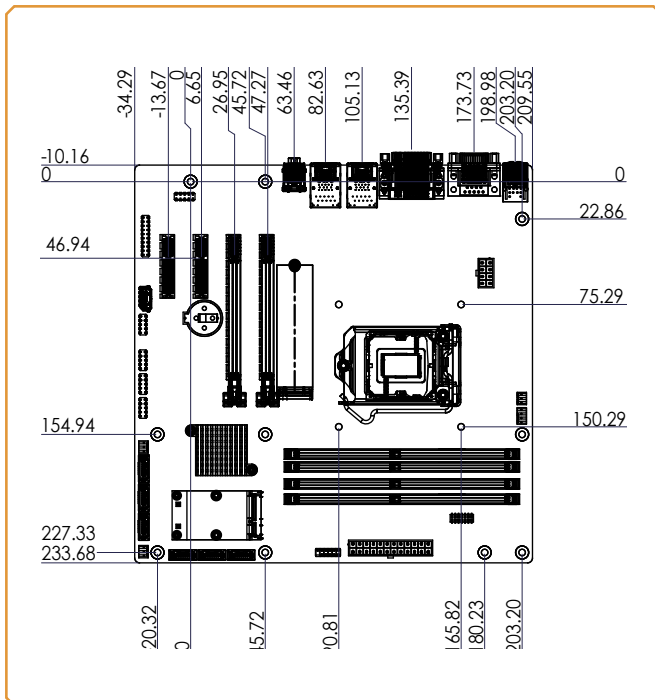
2 Extension Modules for Additional 4 COM Ports (via the LPC connector)



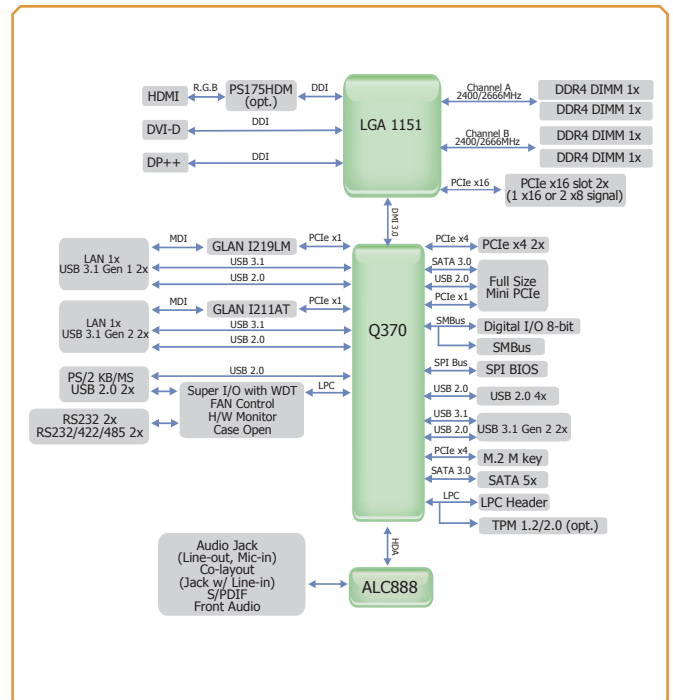
## Ordering Information

Model Name	P/N	Memory	GbE	RS-232/422/485	RS-232	USB 3.1 Gen 2	USB 3.1 Gen 1	USB 2.0	Power	Thermal	Temp.
CS331-Q370NRM	770-CS3311-100G	4 DIMM	2	2	2	4	2	6	24-pin ATX/8-pin ATX 12V	Active	0 to 60°C

## Mechanical Drawing



## Block Diagram



## Specifications

<b>SYSTEM</b>	<b>Processor</b>	8th Generation Intel® Core™/Pentium®/Celeron® Processors, LGA 1151 Socket, TDP up to 95W and the following 9th Generation Intel® Core™ Processors: 9th Generation Intel® LGA 1151 Socket Processors Intel® Core™ i7-9700TE (8 Cores, 12M Cache, up to 3.8 GHz); 35W Intel® Core™ i5-9500E (6 Cores, 9M Cache, up to 4.2 GHz); 65W Intel® Core™ i5-9500TE (6 Cores, 9M Cache, up to 3.6 GHz); 35W Intel® Core™ i3-9100E (4 Cores, 6M Cache, 3.7 GHz); 65W Intel® Core™ i3-9100TE (4 Cores, 6M Cache, to 3.2 GHz); 35W
	<b>Chipset</b>	Intel® Q370 Chipset
	<b>Memory</b>	Four 288-pin DIMM up to 64GB Dual Channel DDR4 2400/2666 MHz (non ECC support)
	<b>BIOS</b>	AMI SPI 128Mbit
<b>GRAPHICS</b>	<b>Controller</b>	Intel® HD Gen 9 Graphics
	<b>Feature</b>	OpenGL 5.0, DirectX 12, OpenCL 2.1 HW Decode: AVC/H.264, MPEG2, VC1/WMV9, JPEG/MJPEG, HEVC/H265, VP8, VP9 HW Encode: MPEG2, AVC/H264, JPEG, HEVC/H265, VP8, VP9
	<b>Display</b>	1 x HDMI 1 x DVI-I (DVI-D signal) 1 x DP++ HDMI 1.2: resolution up to 1920x1200 @ 60Hz HDMI 2.0a: resolution up to 4096x2160 @ 60Hz (opt.)(MOQ required) DVI-D: resolution up to 1920x1200 @ 60Hz DP++: resolution up to 4096x2106 @ 60Hz
	<b>Triple Displays</b>	DVI-D + HDMI + DP++
<b>EXPANSION</b>	<b>Interface</b>	2 x PCIe x16 (Gen 3) (1 x16 signals or 2 x8 signals) 2 x PCIe x4 (Gen 3) 1 x mini PCIe (PCIe/mSATA/USB2.0) 1 x M.2 2242/2260/2280 M key (PCIe Gen3 x 4 NVMe)
<b>AUDIO</b>	<b>Audio Codec</b>	Realtek ALC888
<b>ETHERNET</b>	<b>Controller</b>	1 x Intel® i219LM PCIe (10/100/1000Mbps) 1 x Intel® i211AT PCIe (10/100/1000Mbps) with iAMT 12.0 (only Core i7/i5 supports iAMT)
<b>REAR I/O</b>	<b>Ethernet</b>	2 x GbE (RJ-45)
	<b>USB</b>	2 x USB 3.1 Gen 2 2 x USB 3.1 Gen 1 2 x USB 2.0
	<b>Serial</b>	1 x RS-232/422/485 (RS-232 w/ power) (DB-9)
	<b>PS/2</b>	1 x PS/2 (mini-DIN-6)
	<b>Display</b>	1 x HDMI 1 x DVI-I (DVI-D signal) 1 x DP++
	<b>Audio</b>	1 x Line-out 1 x Line-in (colay, opt. by request, MOQ required) 1 x Mic-in
	<b>INTERNAL I/O</b>	<b>Serial</b>
	<b>USB</b>	2 x USB 3.1 Gen 2 4 x USB 2.0 (2.54mm pitch) (1 x USB 2.0 colay vertical Type A) (opt. by request, MOQ required)
	<b>Audio</b>	1 x S/PDIF, 1 x Front Audio Header
	<b>SATA</b>	5 x SATA 3.0 (up to 6Gb/s) RAID 0/1/5/10
	<b>DIO</b>	1 x 8-bit DIO
	<b>LPC</b>	1 x LPC (support LPC EXT-RS-232/485 module)
	<b>SMBus</b>	1 x SMBus
<b>WATCHDOG TIMER</b>	<b>Output &amp; Interval</b>	System Reset, Programmable via Software from 1 to 255 sec/min
<b>SECURITY</b>	<b>TPM</b>	Infineon TPM 1.2/2.0 (Available Upon Request, MOQ required)
<b>POWER</b>	<b>Type</b>	ATX
	<b>Connector</b>	8-pin ATX 12V power 24-pin ATX power
	<b>Consumption</b>	TBD
	<b>RTC Battery</b>	CR2032 Coin Cell
<b>OS SUPPORT</b>		Windows 10 IoT Enterprise 64-bit Linux: Ubuntu 18.04
<b>ENVIRONMENT</b>	<b>Temperature</b>	Operating: 0 to 60°C Storage: -30 to 60°C with RTC Battery; -40 to 85°C without RTC Battery
	<b>Humidity</b>	Operating: 5 to 90% RH Storage: 5 to 90% RH
	<b>MTBF</b>	TBD

## Packing List

• 1 CS331-Q370 motherboard	
• 1 COM port cable (W/Bracket, Length: 300mm, 2 x COM ports)	A81-015026-023G
• 1 Serial ATA data cable (W/LOCK, Length: 500mm)	332-553001-005G
• 1 I/O shield	A49-CS3311-000G
• 1 M.2 2242/2260/half mini PCIe standoff	A33-725019-090G
• 2 M.2 Screw	A32-112016-041G
• 1 QR	933-CS3311-000G

## Optional Items

• USB 2.0 port cable (Length: 350/398mm)	A81-001066-016G
• USB 3.1 Gen 2 port cable (Length: 350mm)	A81-001075-017G
• COM port cable (Length: 300mm, 2 x COM ports)	A81-015026-023G
• Serial ATA data cable (Length: 500mm, W/LOCK)	332-553001-005G
• Thermal solution (For 35W, Height: 37.3mm)	A71-101107-000G
• Thermal solution (For 65W, Height: 72.8mm)	552-200049-000G
• Thermal solution (For 95W, Height: 69.3mm)	761-103001-000G
• LPC EXT-RS232 module (4 x RS232 ports)	770-EXTRS1-000G
• LPC EXT-RS485 module (4 x RS485 ports)	770-EXTRS1-100G
• DP to HDMI Dongle	612-D2H13M-000G