

AMiS-30i

Advantech Medical Cart



Features

- Highly integrated computer and power cart solution for medical applications
- Intel® Celeron® processor for high performance
- 5-hour battery runtime with 210 W power supply
- 20-kg load capacity with motorized height adjustment
- IT-grade certification

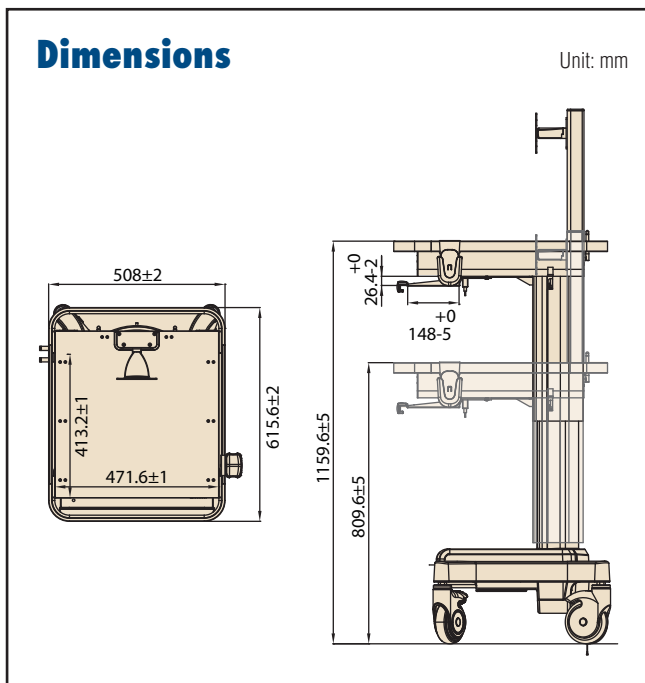
CE FC

Specifications

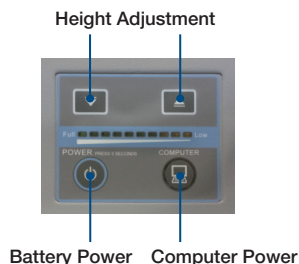
Category	Attribute	AMiS-30i	
Embedded Computing System	CPU	Intel® Celeron® 1.6 GHz	
	Chipset	4th Generation Intel® Core™ ULT processors + Lynx Point-LP	
	Memory	4GB DDR3L SO-DIMM max.16G x 2	
	Storage	2.5" SATA HDD 500 GB	
	Box PC I/O Ports		DP/HDMI x 1 DP++ x 1 Ethernet x 2 COM x 1 USB 3.0 x 4 2 single audio jack for Line-Out (green), Mic-in (Red) DC Jack x 1
		WLAN	802.11 a/b/g/n
		Operating System (Optional)	Support Microsoft Windows 7; Windows 8
		Footprint	19.7" x 18.5" (500 x 470 mm)
		Casters	125 x 125 mm (Medical casters, two locking, two non-locking)
	Base Cart	Height Adjustment Range	32.0" ~ 45.8" (813 ~ 1163 mm); stroke 350 mm
Display Holder		Standard VESA Mount (VESA 75/75; VESA 100/100); Weight capacity: max. 12kg	
I/O Ports		USB 2.0 ports x 3	
Dashboard			Battery power button Computer power button LED for battery capacity indication
		Work surface	18.5" x 16.2" (471 x 413 mm) Extra loading capacity: Up to 66 lb/20 kg
		Keyboard Area	Keyboard size: 431 x 143 x 24 mm
Accessory Integration Interface		Work Surface: Din Rail (Right and Left)	
Power Module	Battery Type	Lithium-Iron Phosphate (LFP)	
	Battery Capacity	210Wh	
	Power Input Voltage	100 ~ 240 V _{AC} , 50-60 Hz, Max 4.5A	
	DC Output Voltage	System 1: 19 V _{DC} , Max. 6 A System 2: 12 V _{DC} , Max. 5 A	
	Battery Lifespan	DOD 80%, 1000 cycles	
	Battery Charge Time	< 1.5hr. DOD 100%	
Battery Runtime (Depends on system configuration)	4-5 Hours		
Power Manager Software	AMiS_Link	Battery capacity indicator Alerts (battery capacity, temperature, warning) Battery Life cycle statistics Report & log file Client Installation Server Installation (Optional) Multi-language support, including Chinese Traditional, Chinese Simple, English, German and Dutch	

Dimensions

Unit: mm



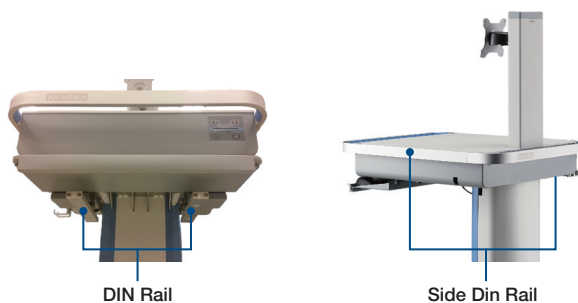
Control Panel



Battery Power Computer Power

Din Rail

For accessory and device integration



Ordering Information

Part Number	Motor	Embedded Computer	Battery
AMIS-30I-GM1-G2NE	Yes	Intel® Celeron® 2980U	210W

Peripheral Ordering Information

Power Cord

Part Number	Power Cord Type (Spiral)
1700019822	China
1700019823	US
1700019824	EU
1700019825	UK
1700020538-01	Australia
1700022626-01	Brazil

Display

Part Number	Touch	DICOM preset	True Flat	Power
PDC-W215-DC-BTE	Yes	Yes	Yes	DC
PDC-W215-DC-BE	No	Yes	Yes	DC
AMT-1021N-D25W1	No	No	No	DC

Accessories

Part Number	Description
AMIS-30-MD-00-AE	Install medication box din-rail kit

Battery

iPS-M210S LiFePO₄ Battery



AMiS_Link

