

Apacer

The Most **Reliable**  
Storage For Industries



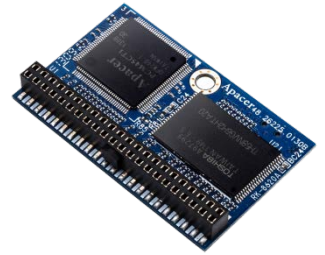
**ADM5S-M 44P/90D/270D**



## ADM5S-M 44P/90D/270D

### Overview

Apacer ATA Disk Module 5S(ADM) MLC complies with 44 PIN IDE (ATA) standard interface in horizontal type or in vertical type, including 90 and 270 degree. With high capacity of flash memory supporting, and is suitable for data storage media and code storage device for embedded system, mobile computing devices or other electronic equipments. 100% Compatible with the Standard IDE ATA interface, Apacer ATA Disk Module 5S(ADM) works exactly like a standard hard drive but without any moving part, strongly increasing reliability and improving data access speed performance, without any noise.



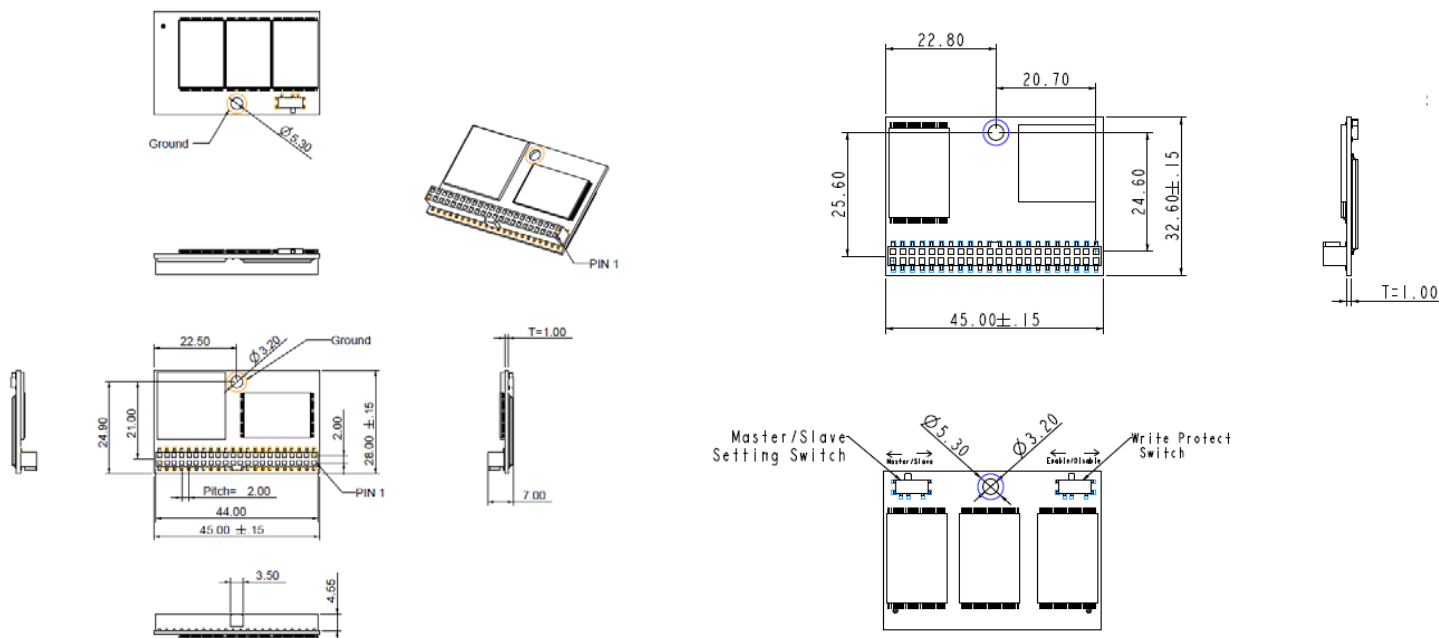
### Feature

- Standard 44-pin IDE female connector
- Advanced Wear-Leveling and Block Management
- Built-in ATA Secure Erase and S.M.A.R.T. Function
- Intelligent Power Failure Recovery
- Halogen Free

## Specifications

<b>Model</b>	ADM5S-M 44P/90D/270D
<b>Interface</b>	Standard ATA/IDE
<b>Connector</b>	44-pin
<b>Operation Mode</b>	PIO Mode up to 4/ Multiword DMA Mode up to 2/ Ultra DMA Mode up to 6
<b>NAND Flash Type</b>	MLC
<b>Capacity</b>	8GB~128GB
<b>Sustained Read Performance (MB/sec)</b>	Up to 100
<b>Sustained Write Performance (MB/sec)</b>	Up to 75
<b>ECC Engine</b>	Built-in 72-bit per 1K bytes BCH ECC
<b>Standard Operating Temperature ( °C )</b>	0 ~ + 70
<b>Extended Operating Temperature ( °C )</b>	-40 ~ + 85
<b>Storage Temperature ( °C )</b>	-40 ~ + 100
<b>Housing</b>	NO
<b>H/W Write Protect</b>	NO
<b>Screw Hole</b>	Yes
<b>Shock</b>	1500G (complied with MIL-STD810)
<b>Vibration</b>	15G (complied with MIL-STD810)
<b>Operating Voltage</b>	3.3 V ± 5% & 5 V ± 5%
<b>Power Consumption</b>	Active mode: 270 mA & Idle mode: 240 mA
<b>Dimension (L x W x H )</b>	45 x 28 x 7 (mm)
<b>MTBF (hours)</b>	>1,000,000

## Mechanical Specification



Unit: mm

## Ordering Info

Operation Temp.	8GB	16GB	32GB	64GB
Standard Grade	AP-FM008GD1305S-4TM	AP-FM016GD1305S-4TM	AP-FM032GD1305S-4TM	AP-FM064GD1305S-4TM
Industrial Grade	AP-FM008GD1305S-4TMW	AP-FM016GD1305S-4TMW	AP-FM032GD1305S-4TMW	AP-FM064GD1305S-4TMW

Operation Temp.	<b>128GB</b>
Standard Grade	AP-FM128GD1305S-4TM
Industrial Grade	AP-FM128GD1305S-4TMW

## Global Presence

Taiwan (Headquarters)  
Apacer Technology Inc.  
Tel: +886-2-2267-8000  
Fax: +886-2-2267-2261

Europe  
Apacer Technology B.V.  
Tel: +31-40-267-0000  
Fax: +31-40-290-0686

U.S.A.  
Apacer Memory America, Inc.  
Tel: +1-408-518-8699  
Fax: 1-510-249-9551

China  
Apacer Electronic(Shanghai)  
Co., Ltd.  
Tel: +86-21-6228-9939

Japan  
Apacer Technology Corp.  
Tel: +81-3-5419-2668  
Fax: +81-3-5419-0018

India  
Apacer Technologies Pvt. Ltd.  
Tel: +91-80-41529061~3  
Fax: +91-80-41700215