

AMiS-30

Laptop-ready Medical Cart



Features

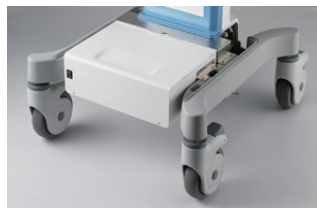
- Handy and easy to integrate laptop and tablet for mobile healthcare solutions
- The best solutions for physician rounds and bedside documentation, especially in emergency room and ICU
- Easy transformation into nursing cart and dispensing cart
- Multiple accessories fulfill diverse needs
- Easy upgrade with long-life battery or accessories
- Big wheels to overcome various types of floors

Specifications

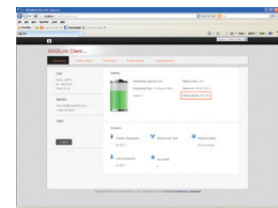
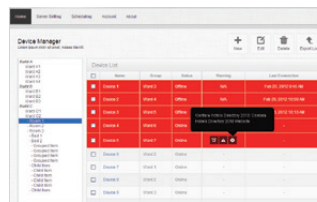
Category	Attribute	AMiS-30	
Base Cart	Supported Notebook Size	Laptop Size<15" Display part: < 383 x 12 mm Laptop Thickness: <55 mm	
	Work Surface	471.6 x 413.2 mm	
	Lift Structure	Gas Spring (Loading Capacity: 280N: extra 4kg; 400N: extra 16kg)	
	Lock	Table key lock	
	Keyboard Area	434 x 146 x 30 mm	
	Footprint	19.7" x 18.5" (500 mm x 470 mm)	
	Casters	125 mm x 125 mm (Medical casters, two locking, two non-locking)	
	Height Adjustment Range	811 ~ 1161 mm	
	I/O Ports	Extend USB 2.0 ports x 1	
	Cart Weight	38kg	
Power Module (Optional)	Accessories and Placement	Work Surface: DIN Rail (Right and Left) Under top base: Medication box (option)	
	Capacity	420Wh (Option)	210Wh(Optional)
	Power Input	100 ~ 240 V _{AC} , 50 ~ 60 H, Max 4.5A	100 ~ 240 V _{AC} , 50 ~ 60 H, Max 4.5A
	Battery Type	Lithium-Iron Phosphate	Lithium-Iron Phosphate
	Battery Charge Time	< 3hr. DOD 100%	< 1.5hr. DOD 100%
	Battery Runtime	8 ~ 10 Hours	4 ~ 5 Hours
	Certifications	EN60601-1, UL60601-1, CE, FCC Class B, Medical CB, CCC	CE, FCC Class B, ITE CB, CCC

Battery

IPS-M420 LiFePO4 Battery

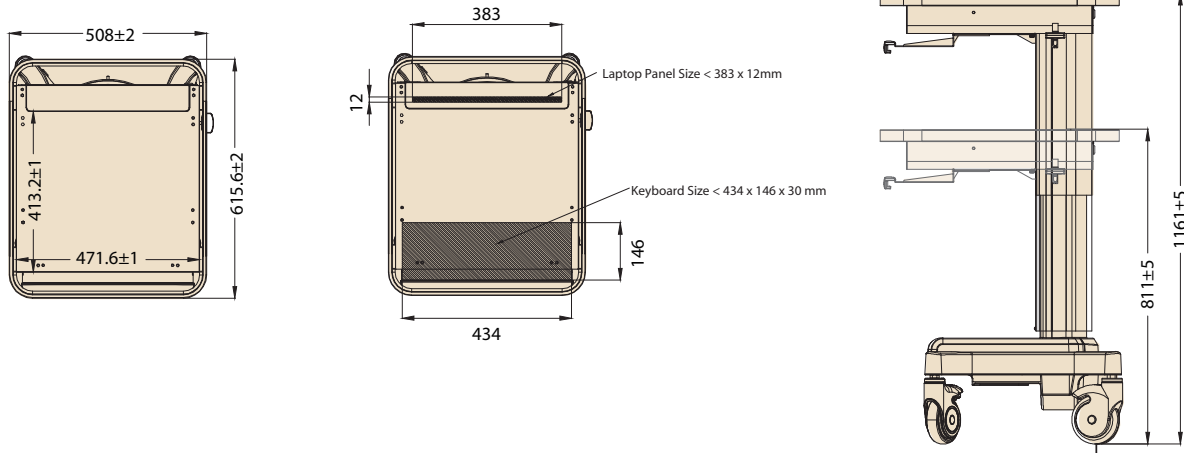


AMiS_Link



Dimensions

Unit: mm



Ordering Information

Part Number	Gas Spring	Power Cord (Spiral)
AMIS-30-040-Z2NE	400N	Optional
AMIS-30-280-Z2NE	280N	Optional

Power Cord

Part Number	Power Cord Type (Spiral)
1700019823	US
1700019822	China
1700019825	UK
1700020538-01	Australia

Laptop Connect Cable

Part Number	DC Jack Spec	Laptop Brand Guide	Photo
1700021865-01	DC Jack Ø7.9 x 0.9 mm	IBM	
1700021862-01	DC Jack Ø7.4 x 0.6 mm	Dell, HP	
1700021867-01	DC Jack Ø4.75 x 1.7 mm	HP	
1700018916	DC Jack Ø5.5 x 2.5 mm	Acer, Asus, IBM, Toshiba	
1700021866-01	DC Jack Ø5.5 x 2.1 mm	Acer	
1700021864-01	DC Jack Ø6.5 x 1.4 mm	Sony	

Battery Order Information

Battery System

Part Number	Cell Type	Battery Capacity	Lifecycle	Charge time	Weight
IPS-M420A-LFA-AE	LFP	420Wh	DOD 80%, 2000 cycles	< 3 hr. DOD 100%	8.5 kg
IPS-M210A-LFA-AE	LFP	210Wh	DOD 80%, 1000 cycles	< 1.5hr DOD 100%	5 kg

Assembly KIT

Part Number	Description
AMIS-30-BT-KITE	Remote module and assemble Battery KIT for AMIS-30
AMIS-30-MD-00-AE	Adapter for Medication box with AMIS-30