



FEATURES

- 12.1" TFT XGA 4:3 LCD with Resistive 5-wire / Capacitive Touch
- -10°C to 60°C extended operating temperature
- Designed with Aluminum Die-Casting Front Frame
- IP65 Compliant Front Panel
- Two 2W or 5W Internal Speakers Built-in
- Multi-language OSD built-in

Display

LCD Size	12.1" (4:3)
Max. Resolution	1024 x 768 (XGA)
Brightness (cd/m2)	500
Contrast Ratio	700:1
LCD Color	16.2M
Pixel Pitch (mm)	0.24 (H) x 0.24 (V)
Viewing Angle (H-V)	160 / 160
Backlight MTBF	50000 hrs (LED Backlight)

Touch

Resistive 5-wire	VIO-212R and VIO-212R-11 only
Projected Capacitive	VIO-212C and VIO-212C-11 only

I/O

Internal Speaker	VIO-212: AMP 5W + 5W VIO-212-11: AMP 2W + 2W
OSD	LCD On/Off, Auto, Menu, Up and Down Multi-language

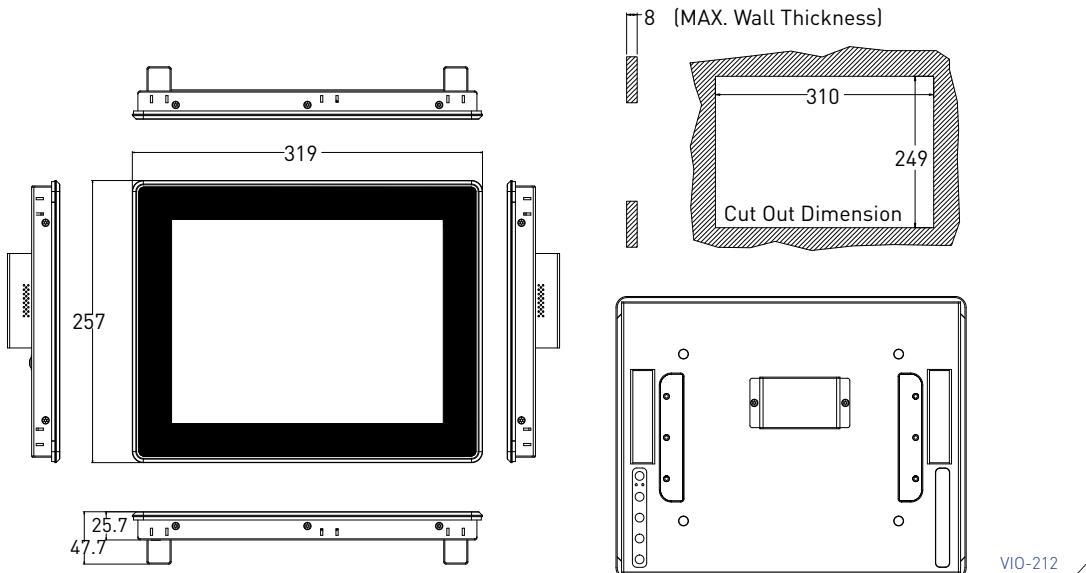
Environment

Operating Temp.	-10°C to 60°C
Storage Temp.	-20°C to 70°C
Relative Humidity	10%~80% (non-condensing)
IP Level	IP 65 Compliant Front Panel

Physical

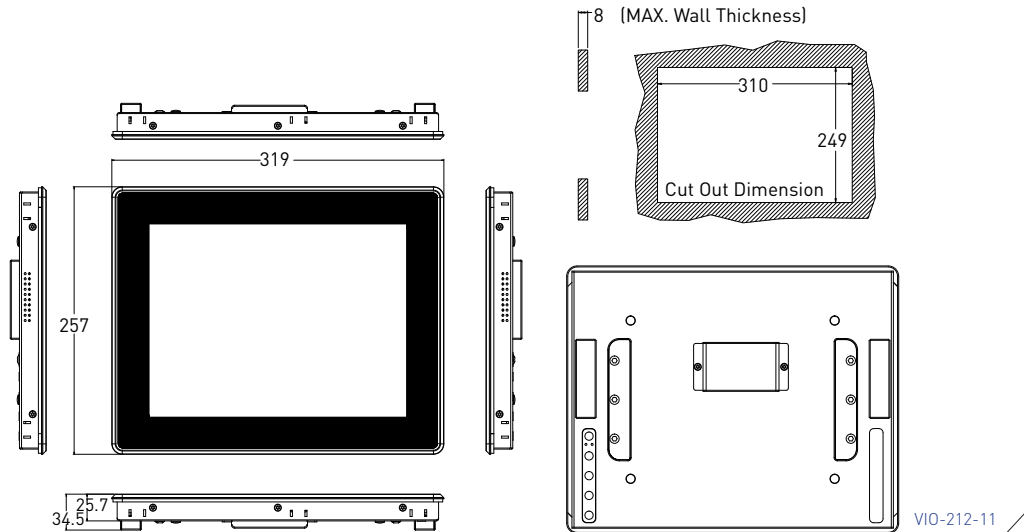
Front Panel Construction	Die-cast Flat Surface
Dimension	VIO-212: 319 (W) x 257 (D) x 47.7 (H)mm VIO-212-11: 319 (W) x 257 (D) x 34.5 (H) mm
Weight	VIO-212R: 2.89kg VIO-212C: 2.83kg VIO-212R-11: TBC VIO-212C-11: TBC
Mounting	VESA Mounting Holes 75 x 75mm, 100 x 100mm

DIMENSION
Unit: mm



DIMENSION

Unit: mm



ORDERING INFORMATION

PACKING LIST

- 1x VIO-212 Series Display Module
- 10x Panel Mount Kit

AVAILABLE MODELS

MODEL	MODEL NO.	DESCRIPTION
VIO-212	VIO-212R	12.1" XGA Resistive Touch Thin Frame Display Module with 2x 5W Speaker
	VIO-212C	12.1" XGA Capacitive Touch Thin Frame Display Module with 2x 5W Speaker
	VIO-212R-11	12.1" XGA Resistive Touch Thin Frame Display Module with 2x 2W Speaker
	VIO-212C-11	12.1" XGA Capacitive Touch Thin Frame Display Module with 2x 2W Speaker