

Rugged Docking Station for RTC-1010



Features

- Apply on RTC-1010
- Front-facing I/Os: USB 2.0 x 2 with Protection Cover
- Downward-facing I/Os for Easy Cable Management: USB 2.0 x 2, RS-232 x 1 (Two: Optional), RJ45 GbE x 1, DC-in Phoenix Connector x 1
- Wide Voltage Input: 9VDC ~ 36VDC
- Power Adaptor: AC Power Adaptor (Default)
- Anti-theft Lock with Key & VESA Mount

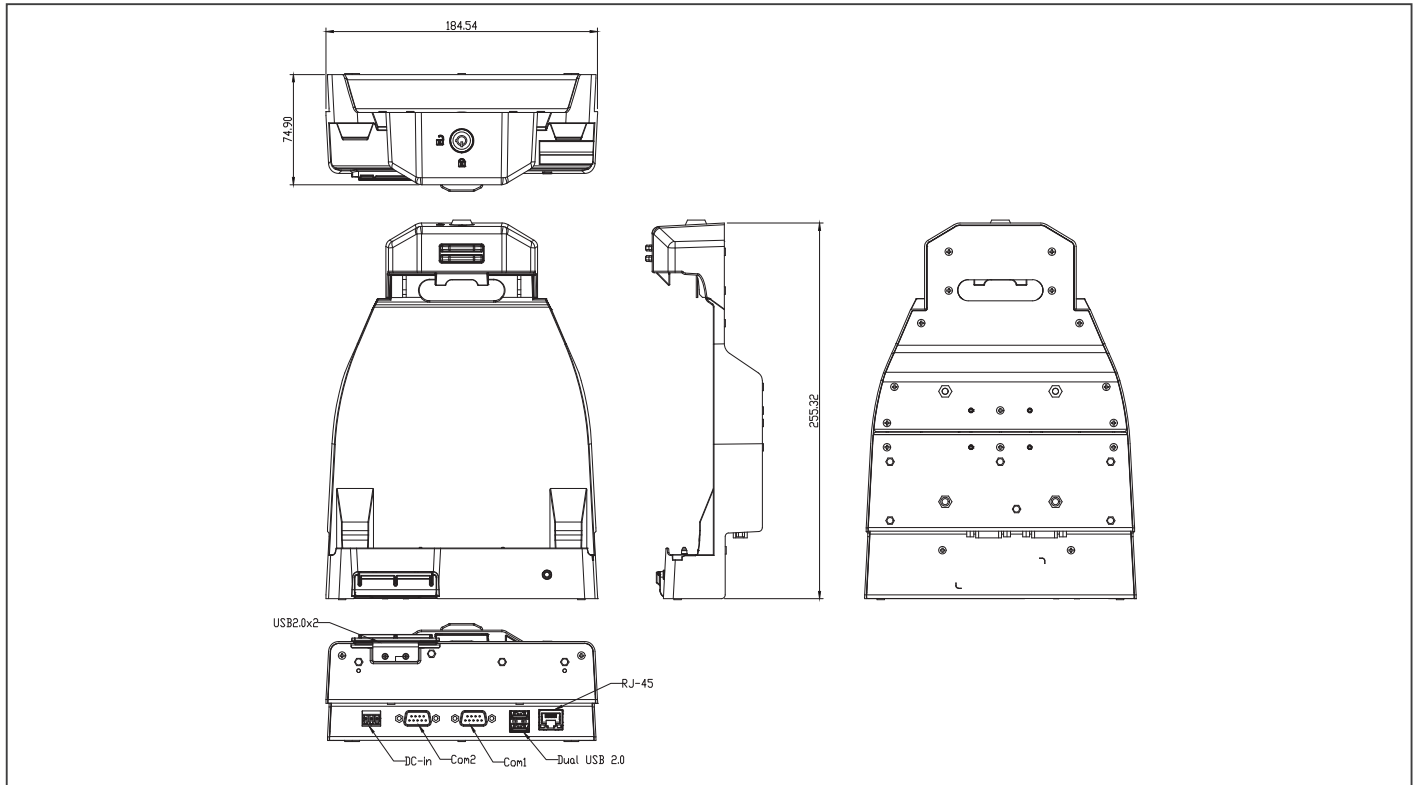


Specifications

System	
I/O	Front-facing I/Os: USB 2.0 x 2 with protection cover Downward-facing I/Os: USB 2.0 x 2 RS-232 x 1 (Two: Optional) RJ45 GbE x 1
DC Input	Phoenix connector: DINKLE ECH381H-03P Wide Voltage Input: DC 9V to 36V Mating connector: DINKLE EC381V-03P
LED Indicator	Orange: DC in w/o Tablet Blue: DC in w/ Tablet
Others	Anti-theft lock with key & VESA mount
Mechanical	
Color	Black
Construction	PC
Dimensions (W x H x D)	256 x 185 x 75 mm (10.08" x 7.28" x 2.96")
Gross Weight	2.8 Kg (6.17 lb)
Environmental	
Operating Temperature	0°C ~ 50°C (32°F ~ 122°F)
Storage Temperature	-10°C ~ 60°C (14°F ~ 140°F)
ESD	Air charge: +/- 8KV Contact charge: +/- 4KV
EMC/ Safety	CE/FCC Class B/UL
Power Supply	
AC/DC Adapter	AC 100 ~ 240 V, 50 ~ 60 Hz, Output: 12V/ 3.34A/ 40W DC connector: DINKLE EC381V-03P
DC/DC Adapter	N/A

Dimension

Unit: mm



Ordering Information

- **RDS-411-000**
Docking Station.USBx4.RS-232.RJ45.DC Connector.9-36V Input
- **RDS-411-001**
Docking Station.USBx4.RS-232.RJ45.DC Connector.9-36V Input.W/ Stand

Packing List

- RDS-411
- 12V / 40W AC Power Adapter

Optional Accessories

- **170203J000**
DC Input Cable. 2 Meters. One Side With Mating Connector: DINKLE EC381V-03P. One Side With Flying Wires.