

ITA-2000

Intel® Atom N270 Fanless Rackmount System with 4 x LAN, 10 x COM, 8 x DI, 8 x DO, PC/104+

NEW



Features

- Built-in Intel® Atom™ N270, 1.60 GHz CPU
- 2 x RS-232 and up to 16 x RS-232/422/485 isolated serial ports with automatic flow control and 128 KB FIFO
- 2 x CANBus and Digital I/O (8-ch DI/8-ch DO)
- 4 x 10/100/1000 Base-T Ethernet ports
- PC/104+ extension and 4 USB 2.0
- Supports internal CF card and 3.5" or 2.5" SATA HDD

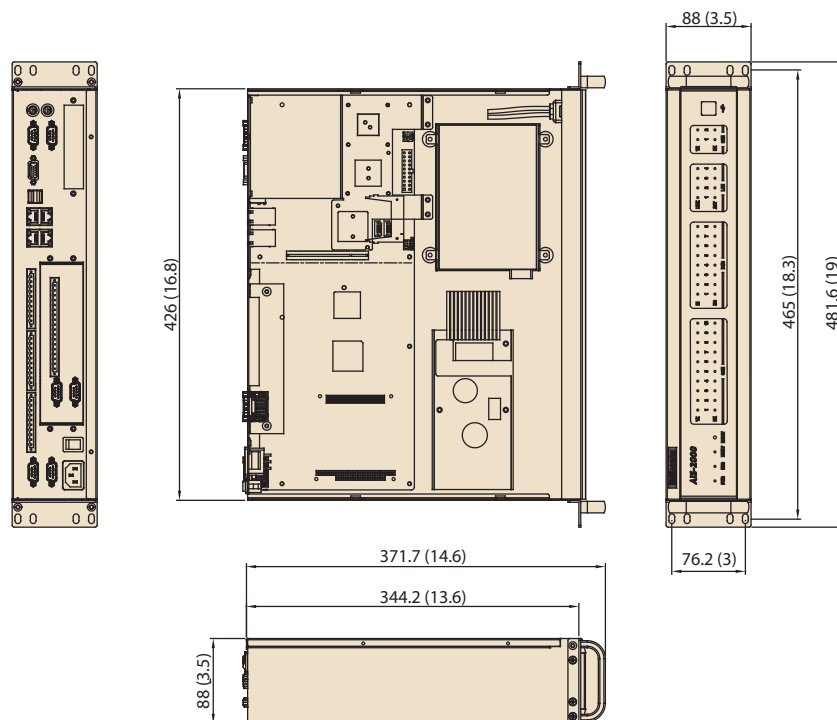


Specifications

Processor System	CPU	Intel Atom Processor N270 1.60 GHz	
	System Chipset	Intel 945GSE/ICH7-M	
	BIOS	Award 4-Mbit Flash BIOS	
	System Memory	On board 1 GB DDR2 553/667 DRAM	
Graphics	Chipset	Intel GMA 950	
	Memory	Dynamically shared system memory up to 224 MB	
	Interface	CRT interface	
Ethernet	Controller	Intel 82574L 10/100/1000 Base-T Ethernet controller	
	Interface	4 x RJ45	
CANBus	Controller	SJA-1000	
	Interface	CAN 2.0B	
Serial	Ports	ITA-2000-AS1A1E	ITA-2000-AS2A2E
		2 x DB-9 for COM1~COM2 (RS-232) 2 x DB-9 and 3 x screw terminal for COM3~COM10(RS-232/422/485, isolated up to 2000 V _{DC} ; RS-485 supports automatic data flow control)	2 x DB-9 for COM1~COM2 (RS-232) 8 x screw terminal for COM3~COM18 (RS-232/422/485, isolated up to 2000 V _{DC} ; RS-485 supports automatic data flow control)
	Ports speed	(COM1, COM2) RS-232: 50 ~ 115.2 kbps (COM3 ~ COM18) RS-232: 50 ~ 230.4 kbps, RS-422/485: 50 ~ 921.6 kbps (Max.)	
Digital I/O	8-ch DI (ITA-2000-AS1A1E only)	ViL: 0 ~ 1.5 V _{DC} ViH: 3.5 ~ 5.5 V _{DC} (V _{DD} = 5V)	
	8-ch DO (ITA-2000-AS1A1E only)	keep output status after system hot reset 3.3 ~ 5 V _{DC} output range and 400 KHz speed	
Others	Watchdog Timer	255 level timer interval, setup by software	
	Keyboard/Mouse	1 x keyboard/mouse	
	USB 2.0	4 x USB ports (Front x 2, Rear x 2)	
Expansion Slot	PCI	1 (Optional)	
	PC/104+	1	
Storage Drive Bay	HDD	1 x SATA drive bay for 3.5" or 2.5" harddisk	
	SSD	1 x CompactFlash socket for Type I/II CompactFlash disk	
Power	Power Output Wattage	120 W	
	Input Voltage	AC 100 ~ 240V (47-63Hz), DC 110 ~ 220V	
Environment	Operating Temperature	With Industrial Grade Compact Flash Disk only: -20 to 50° C	
	Relative Humidity	95% @ 40° C	
	Vibration During Operation	With CompactFlash disk: 5Grms, IEC 60068-2-64, random, 5 ~ 500 Hz, 1 Oct./min, 1hr/axis.	
Mechanical	Shock During Operation	With CompactFlash disk: 50Grms, IEC 60068-2-27, half sine, 11 ms duration	
	Dimensions (W x H x D)	482 x 88 x 350 mm (19" x 3.46" x 13.8")	
	Weight	6 kg (13.2lb)	

Dimensions

Unit: mm (inch)



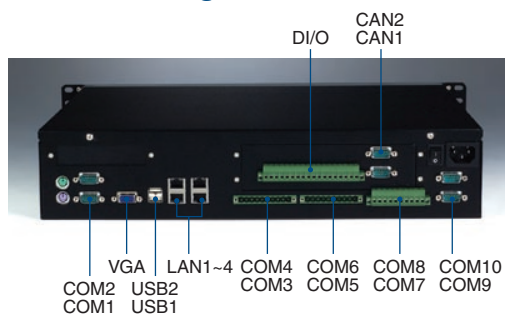
Packing List

Part Number	Description
205220000	1 x Driver/Utility CD
1700003194	1 x SATA Cable 7-Pin, 180D w/lock
1652000179	3 x Plug-in block 10p F DIP
1652004134	1 x Plug-in block 18p F DIP

Ordering Information

Part Number	Description
ITA-2000-AS1A1E	Intel Atom N270 processor 1.60 GHz, 1 GB DDR2 SDRAM, 10 x Serial ports, 4 x LAN, 16 x Digital I/O, 2 x CANBus, 1 x VGA, Fanless System
ITA-2000-AS2A2E	Intel Atom N270 processor 1.60 GHz, 1 GB DDR2 SDRAM, 18 x Serial ports, 4 x LAN, 2 x CANBus, 1 x VGA, Fanless System

Rear Panel External I/O Mechanical Layout/Drawing



Inside View

