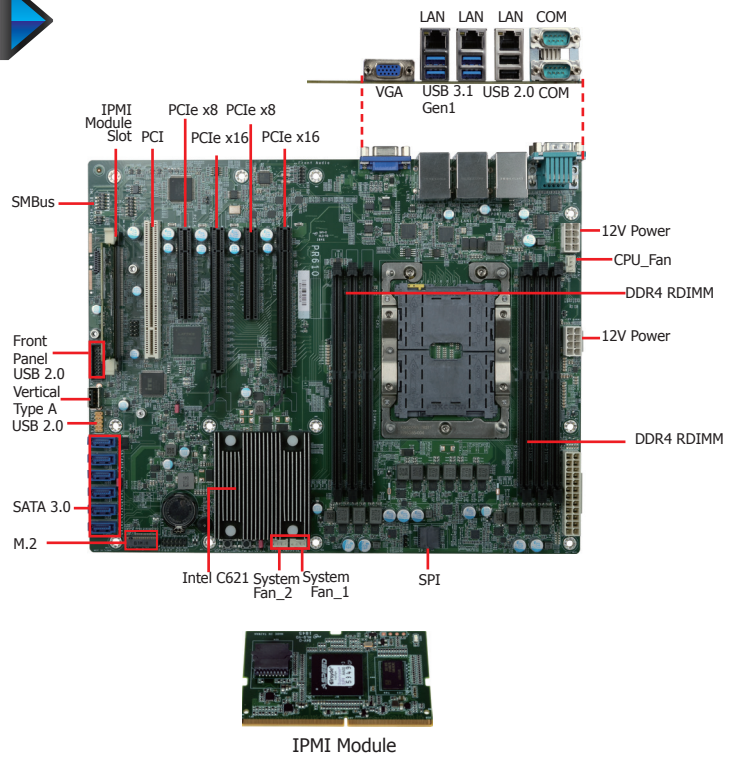


PR610-C621

Server-grade

C621

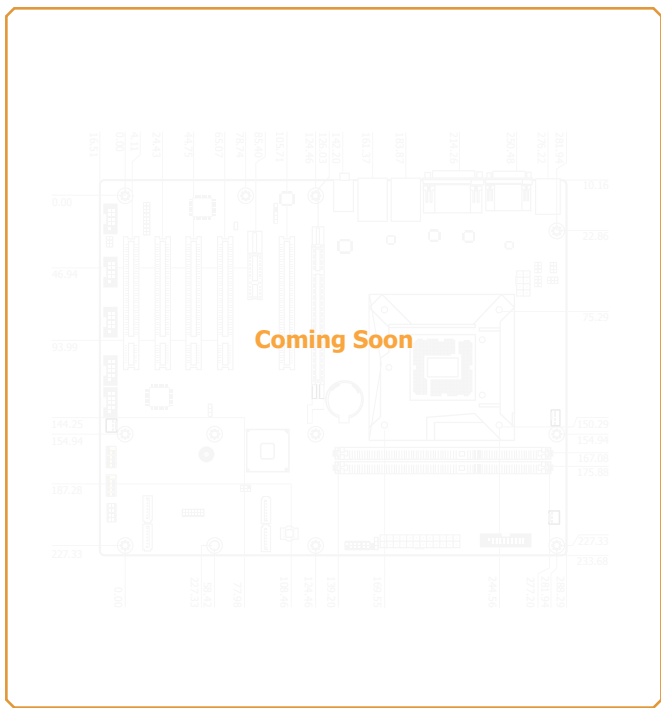


Features

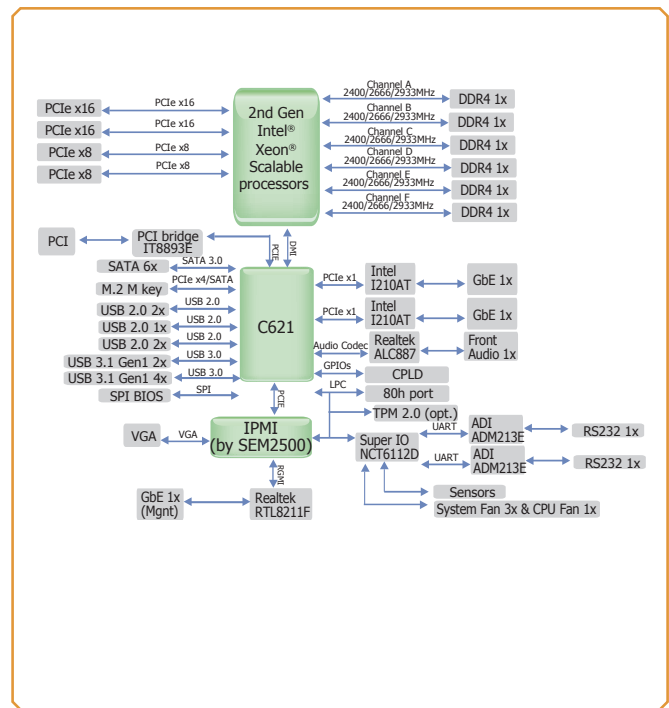
- 6 DDR4 RDIMM up to 192GB
- Multiple expansion: 2 PCIe x16, 2 PCIe x8, 1 PCI, 1 M.2
- Rich I/O: 2 Intel GbE, 1 dedicated IPMI LAN, 2 COM, 6 SATA 3, 5 USB 2.0, 6 USB 3.1 Gen1



Mechanical Drawing



Block Diagram



Specifications

SYSTEM	Processor	2nd Generation Intel® Xeon® Scalable Processor Family, LGA 3647 Socket, TDP up to 165W	
	Chipset	Intel® C621 Chipset	
	Memory	Six 288-pin RDIMM up to 192GB	Single Channel DDR4 up to 2933 MHZ
	BIOS	Insyde SPI 128Mbit	
GRAPHICS	Display	1 x VGA (opt.)	
	Single Displays	VGA (opt.)	
EXPANSION	Interface	2 x PCIe x16 (Gen 3) 2 x PCIe x8 (Gen 3) 1 x PCI 1 x DDR4 SO-DIMM for SEM2500/2510 (opt.) 1 x M.2 M key 2280 (SATA/PCIe Gen3 x4 NVMe)	
AUDIO	Audio Codec	ALC887	
ETHERNET	Controller	2 x Intel® I210AT PCIe (10/100/1000Mbps) IPMI: 1 x RTL8211F	
REAR I/O	Ethernet	2 x GbE (RJ-45) 1 x dedicated IPMI LAN (opt.)	
	USB	4x USB 3.1 Gen1 2x USB 2.0 stack (opt.w/ RJ45+USB2.0 stack)	
	Display	1 x VGA (opt.)	
	Serial	2 x RS-232 (DB-9)	
INTERNAL I/O	USB	2x USB 2.0 header (2x USB 2.0) 1x USB 2.0 vertical Type A 1x USB 3.1 Gen1 header (2x USB 3.1 gen1)	
	SATA	6 x SATA 3 (up to 6Gb/s)	
	SMBus	1 x SMBus	
WATCHDOG TIMER	Output & Interval	System Reset, Programmable via Software from 1 to 255 sec/Min	
SECURITY	TPM	TPM 2.0 (opt.)	
POWER	Type	ATX	
	Connector	8-pin ATX 12V power	24-pin ATX power
	Consumption	TBD	
	RTC Battery	CR2032 Coin Cell	
OS SUPPORT		Windows 10 IoT Enterprise LTSB RS5(64-bit) Windows Server 2012R2 Windows Server 2016 Ubuntu18.04	
ENVIRONMENT	Temperature	Operating: 0 to 60°C	Storage: -40 to 85°C
	Humidity	Operating: 5 to 90% RH, Non-condensing	Storage: 5 to 90% RH, Non-condensing
	MTBF	TBD	
MECHANICAL	Dimensions	ATX Form Factor	305mm (12") x 244mm (9.6")
	Height	PCB: TBD	Top Side: TBD mm Bottom Side: TBD

Ordering Information

Model Name	P/N	GbE	RS-232	USB 3.1 Gen1	USB 2.0	VGA	IPMI-Mgmt	BMC Module	Thermal	Temp.
PR610-C621	770-PR6101-000G	2	2	6	5	0	0	0	Active	0~60°C
PR610-C621	770-PR6101-100G	2	2	6	5	1	0	SEM2510-VGA	Active	0~60°C
PR610-C621	770-PR6101-200G	2	2	6	5	1	1	SEM2500-VGA/IPMI	Active	0~60°C

Packing List

• 1 PR610-C621 motherboard	
• 1 Serial ATA data cable (Length: 500mm)	332-553001-005G
• 1 I/O shield	TBD
• 1 M.2 screw for 2280	A32-112016-041G
• 1 SEM2500/2510 (by ordered P/N)	

Optional Items

• USB 2.0 port cable (Length: 398mm)	A81-001066-016G
• LGA3647 cooler	A71-101400-000G
• USB 3.1 Gen1 cable (Length: 320mm)	A81-001052-023G