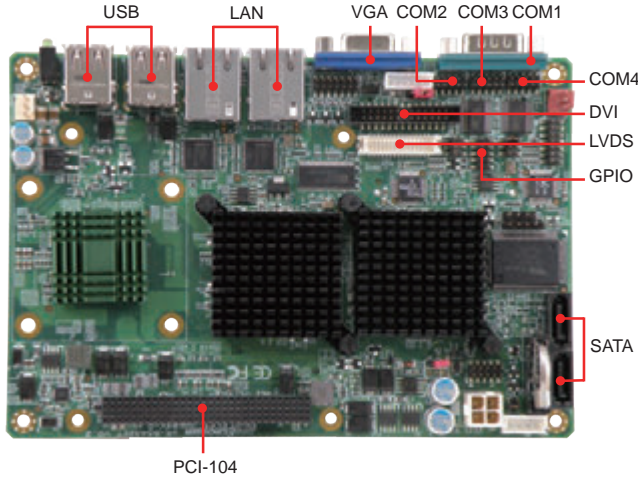


AR-B5432

EPIC Intel Atom N270 SBC



Features

- Intel Atom N270 1.6GHz
- Memory Support DDR2-400/533 up to 2GB
- VGA/DVI/LVDS/TV-Out
- 6 x USB 2.0, ALC655 AC97 Rev. 2.3,
- 4 x COM, CF Socket, PCI-104



Specification

System

CPU	Intel Atom N270 1.6GHz
Chipset	Intel 945GSE + Intel ICH7M
Front Side Bus	533MHz
Memory	1 x 200-pin SO-DIMM socket support DDR2-400/533 SDRAM up to 2GB
BIOS	Award
Hardware Monitoring	<ul style="list-style-type: none"> • CPU voltage • CPU and system temperature • CPU and system fan speed
WatchDog Timer	Software programmable 1~255 sec.

Video

Graphic Controller	Intel 945GSE integrated GMA 950 graphic controller
Video Memory	DVMT 3.0, Maximum 224MB shared
Video Interface	<ul style="list-style-type: none"> • 1 x VGA port (DB15) • 1 x DVI (Pin header) • 1 x Dual Channel 18-bit LVDS (Pin header) • 1 x TV-Out (Pin header)

Storage

SATA	2 x SATA II port
CF	1 x Compact Flash Type I/II slot support UDMA 33

I/O

Ethernet	2 x GbE RJ45 with LED, Intel 82574L
Expansion Slot	1 x PCI-104 slot
Serial Port	3 x RS-232, 1 x RS-232/422/485 (1 x DB9, 3 x pin header)
USB	6 x USB 2.0 (4 x external port, 2 x pin header)
GPIO	8-bit Digital I/O
Audio	Realtek ALC655

Power Requirement

Power Input	12V (+/-5%) single voltage input
Power Consumption	26.4W, 2.2A@12V

Software

OS Support	Windows XP/ XP Embedded/ CE 5.0 & 6.0, Linux Fedora 8.0
------------	---

Mechanical & Environment

Dimension	165mm x 115mm (6.50" x 4.53")
Operating Temp.	0~60°C (32~140°F)
Storage Temp.	-20~80°C (-4~176°F)
Relative Humidity	0 to 90% @ 40°C, non-condensing
Safety	CE, FCC compliant

Packing List

- 1 x AR-B5432
- 1 x Driver CD
- 1x User manual

Ordering Information

AR-B1631	1 x AR-B5432
ACC-5432:	<ul style="list-style-type: none"> • 1 x Power cable (AT) • 1 x Audio cable • 2 x COM cable (10-pin) • 1 x TV-Out cable (S-Video)
Accessory	<ul style="list-style-type: none"> • 1 x SATA power cable • 1 x USB cable • 2 x SATA cable • 1 x DVI cable

Dimension

