

Apacer

The Most **Reliable**  
Storage For Industries



**ADM5S-M 40P/180D MPH**



## ADM5S-M 40P/180D MPH

### Overview

Apacer ATA Disk Module 5S (ADM5S-M) MLC SSD delivers ultra smooth performance and extremely low power consumption. This device supports DMA mode up to UDMA 6 that offers advanced data transfer technology and internal memory efficiency, which effectively decreases the loading for the microprocessor. Compliant with ATA/ATAPI-8 standards, our ADM5S-M supports data transfer modes up to PIO 4, Multiword DMA 2, and Ultra DMA 6. Equipped with power Error Correction Coding (ECC) up to 72 bit/1KB, the ADM5S-M can provide high data integrity. Aside from data efficiency, the ADM5S-M also comes with power management. The device can work at 3.3V or 5V power supply, with the output voltage automatically adjusted by the voltage regulator in the core. In addition, the built-in ECC engine can support multi-mode correction capability up to 72 bits and perform effective decoding throughput with high reliability.



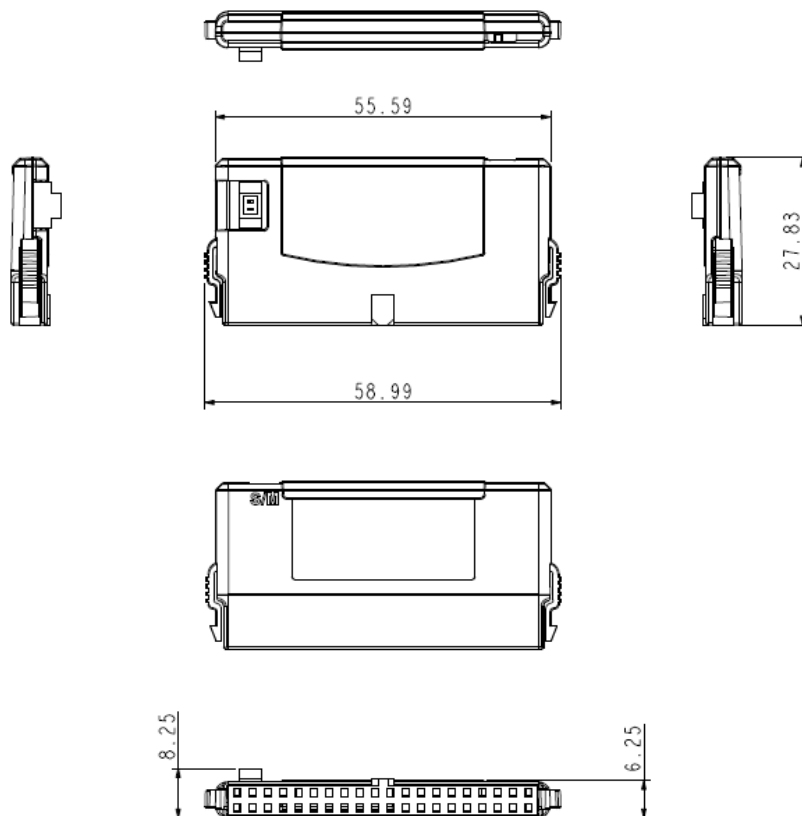
### Feature

- Standard 40-pin IDE female connector
- Advanced Wear-Leveling and Block Management
- Built-in ATA Secure Erase and S.M.A.R.T. Function
- Intelligent Power Failure Recovery
- Halogen Free

## Specifications

<b>Model</b>	ADM5S-M 40P/180D MPH
<b>Interface</b>	Standard ATA/IDE
<b>Connector</b>	40-pin
<b>Operation Mode</b>	PIO Mode up to 4/ Multiword DMA Mode up to 2/ Ultra DMA Mode up to 6
<b>NAND Flash Type</b>	MLC
<b>Capacity</b>	8GB~64GB
<b>Sustained Read Performance (MB/sec)</b>	Up to 100
<b>Sustained Write Performance (MB/sec)</b>	Up to 46
<b>ECC Engine</b>	Built-in 72-bit per 1K bytes BCH ECC
<b>Standard Operating Temperature ( °C )</b>	0 ~ + 70
<b>Extended Operating Temperature ( °C )</b>	-40 ~ + 85
<b>Storage Temperature ( °C )</b>	-40 ~ + 100
<b>Housing</b>	Yes
<b>H/W Write Protect</b>	Optional
<b>Screw Hole</b>	NO
<b>Shock</b>	1500G (complied with MIL-STD810)
<b>Vibration</b>	15G (complied with MIL-STD810)
<b>Operating Voltage</b>	3.3 V ± 5% & 5 V ± 5%
<b>Power Consumption</b>	Active mode: 250 mA & Idle mode: 170 mA
<b>Dimension (L x W x H )</b>	59 x 28 x 6.25 (mm)
<b>MTBF (hours)</b>	>1,000,000

## Mechanical Specification



Unit: mm

## Ordering Info

Operation Temp.	8B	16GB	32GB	64GB
Standard Grade	AP-FM008GD5605S-4TMMH	AP-FM016GD5605S-4TMMH	AP-FM032GD5605S-4TMMH	AP-FM064GD5605S-4TMMH
Industrial Grade	AP-FM008GD5605S-4TMWMH	AP-FM016GD5605S-4TMWMH	AP-FM032GD5605S-4TMWMH	AP-FM064GD5605S-4TMWMH

## Global Presence

Taiwan (Headquarters)  
Apacer Technology Inc.  
Tel: +886-2-2267-8000  
Fax: +886-2-2267-2261

Europe  
Apacer Technology B.V.  
Tel: +31-40-267-0000  
Fax: +31-40-290-0686

U.S.A.  
Apacer Memory America, Inc.  
Tel: +1-408-518-8699  
Fax: 1-510-249-9551

China  
Apacer Electronic(Shanghai)  
Co., Ltd.  
Tel: +86-21-6228-9939

Japan  
Apacer Technology Corp.  
Tel: +81-3-5419-2668  
Fax: +81-3-5419-0018

India  
Apacer Technologies Pvt. Ltd.  
Tel: +91-80-41529061~3  
Fax: +91-80-41700215