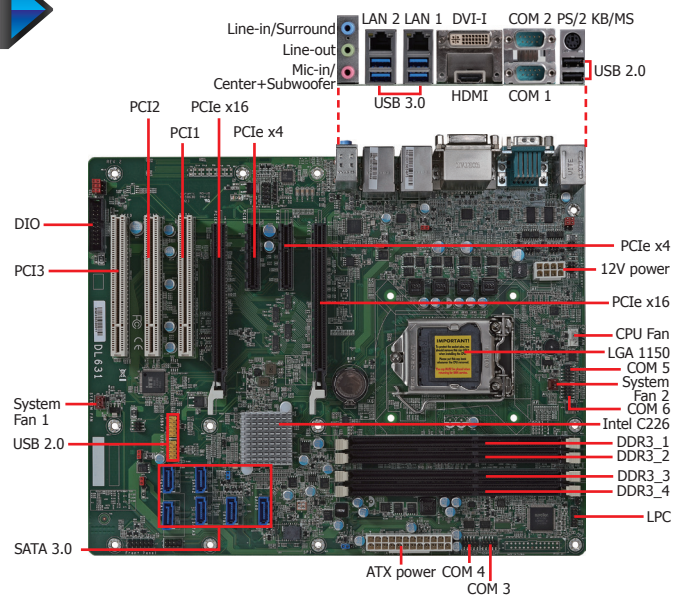




DL631-C226

Workstation

C226



Features

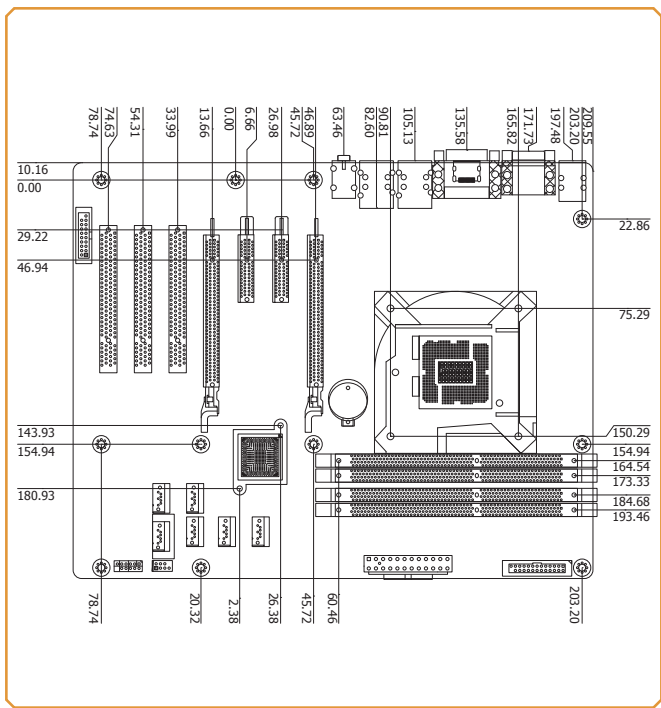
MEMORY	4 DDR3 DIMM up to 32GB
EXPANSION	2 PCIe x16 (1 x16 or 2 x8 signal) 2 PCIe x4 (1 x4 and 1 x1 signal) 3 PCI
DISPLAY OUTPUTS	1 HDMI, 1 DVI-I
LAN	2 LAN
COM	6 COM
USB	10 USB: 4 USB 3.0, 6 USB 2.0
STORAGE	6 SATA 3.0
DIO	8-bit DIO



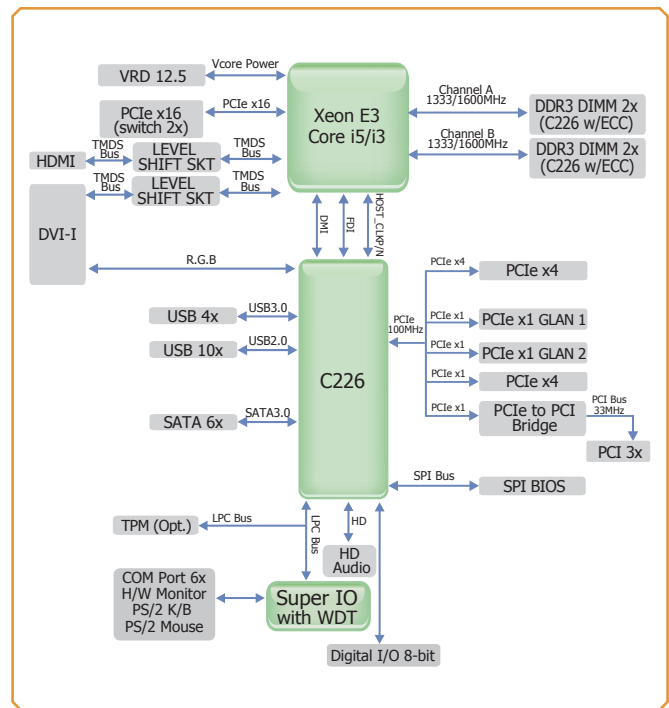
Ordering Information

Model Name	P/N	Memory	GbE	RS-232/422/485	RS-232	USB 3.0	USB 2.0	Power	Thermal	Temp.
DL631-C226CRM	770-DL6311-000G	4 DIMM	2	2	4	4	6	24-pin ATX	Active	0 to 60°C

Mechanical Drawing



Block Diagram



DL631-C226

► Specifications * Optional and is not supported in standard model. Please contact your sales representative for more information.

PROCESSOR

- LGA 1150 socket for:
 - 4th generation processors (22nm process technology)
 - : Intel® Xeon® E3-1275 v3 (8M Cache, up to 3.9 GHz); 95W
 - : Intel® Xeon® E3-1268L v3 (8M Cache, up to 3.3 GHz); 45W
 - : Intel® Xeon® E3-1225 v3 (8M Cache, up to 3.6 GHz); 95W
 - : Intel® Core™ i7-4770S (8M Cache, up to 3.9 GHz); 65W
 - : Intel® Core™ i7-4770TE (8M Cache, up to 3.3 GHz); 45W
 - : Intel® Core™ i5-4570S (6M Cache, up to 3.6 GHz); 65W
 - : Intel® Core™ i5-4570TE (4M Cache, up to 3.3 GHz); 35W
 - : Intel® Core™ i3-4360 (4M Cache, 3.7 GHz); 54W
 - : Intel® Core™ i3-4340TE (4M Cache, 2.6 GHz); 35W
 - : Intel® Core™ i3-4330 (4M Cache, 3.5 GHz); 54W
 - : Intel® Core™ i3-4330TE (4M Cache, 2.4 GHz); 35W
 - : Intel® Pentium® G3420 (3M Cache, 3.2 GHz); 53W
 - : Intel® Pentium® G3320TE (3M Cache, 2.3 GHz); 35W
 - : Intel® Celeron® G1820 (2M Cache, 2.7 GHz); 53W
 - : Intel® Celeron® G1820TE (2M Cache, 2.2 GHz); 35W

CHIPSET

- Intel® C226 Express Chipset

SYSTEM MEMORY

- Four 240-pin DDR3 DIMM sockets
- Supports DDR3 1333/1600MHz
- Supports dual channel memory interface
- Supports up to 32GB system memory
- DRAM device technologies: 1Gb, 2Gb and 4Gb DDR3 DRAM technologies are supported for x8 and x16 devices, unbuffered, ECC

EXPANSION SLOTS

- 2 PCIe x16 Gen 3 slots (PCIe 3.0)
 - 1 x16 signal or 2 x8 signal
- 2 PCIe x4 Gen 2 slots (PCIe 2.0)
 - 1 x4 signal and 1 x1 signal
- 3 PCI slots (PCI 2.3)

ONBOARD GRAPHICS FEATURES

- Intel® HD Graphics
- Display ports: 1 HDMI, 1 DVI-I
- DVI-I: resolution up to 1920x1200 @ 60Hz
- HDMI: resolution up to 4096x2304 @ 24Hz or 2560x1600 @ 60Hz
- VGA: 24-bit, resolution up to 1920x1200 @ 60Hz
- Supports 20 Graphics Execution Units (EUs)
- Intel® Clear Video Technology
- DirectX Video Acceleration (DXVA) support for accelerating video processing

ONBOARD AUDIO FEATURES

- Realtek ALC886 5.1-channel High Definition Audio
- Audio outputs: Mic-in/Center+Subwoofer, line-in/surround and line out
- S/PDIF audio interface

ONBOARD LAN FEATURES

- Intel® I210 PCI Express Gigabit Ethernet controller
- Intel® I217LM with iAMT9.0 Gigabit Ethernet Phy
- Integrated 10/100/1000 transceiver
- Fully compliant with IEEE 802.3, IEEE 802.3u, IEEE 802.3ab

SERIAL ATA (SATA) INTERFACE

- 6 SATA 3.0 ports with data transfer rate up to 6Gb/s
 - SATA port 5 provides adequate space for SATA DOM
- Integrated Advanced Host Controller Interface (AHCI) controller
- Supports RAID 0/1/5/10
- Supports Intel® Smart Response Technology

INTEL ACTIVE MANAGEMENT TECHNOLOGY (AMT)

- Supports iAMT9.0
- Out-of-band system access
- Remote troubleshooting and recovery
- Hardware-based agent presence checking
- Proactive alerting
- Remote hardware and software asset tracking

TRUSTED PLATFORM MODULE (TPM)*

- Provides a Trusted PC for secure transactions
- Provides software license protection, enforcement and password protection
- Infineon TPM1.2 (optional)

REAR PANEL I/O PORTS

- 1 mini-DIN-6 port for PS/2 keyboard/mouse
- 2 DB-9 serial ports
 - Supports RS232/422/485 (RS232 and/or Power)
- 1 HDMI port
- 1 DVI-I port
- 2 RJ45 LAN ports
- 4 USB 3.0/2.0/1.1 ports
- 2 USB 2.0/1.1 ports
- Line-in/Surround, Line out, Mic-in/Center+Subwoofer jacks

I/O CONNECTORS

- 2 connectors for 4 external USB 2.0/1.1 ports
- 4 connectors for 4 external RS232 serial ports (2.0mm pitch)
- 1 8-bit Digital I/O connector
- 1 front audio connector for line-out and mic-in jacks
- 1 S/PDIF connector
- 1 LPC connector
- 6 Serial ATA ports
- 1 24-pin ATX power connector
- 1 8-pin 12V power connector
- 1 chassis intrusion connector
- 1 front panel connector
- 3 fan connectors

BIOS

- AMI BIOS
 - 64Mbit SPI BIOS

WATCHDOG TIMER

- Software programmable from 1 to 255 seconds

ENERGY EFFICIENT DESIGN

- Supports ErP Lot6 power saving*
- Supports ACPI
- System Power Management
- Wake-On-Events include:
 - Wake-On-PS/2 KB/Mouse
 - Wake-On-USB KB/Mouse
 - Wake-On-LAN
 - RTC timer to power-on the system
- CPU stopped clock control
- AC power failure recovery

DAMAGE FREE INTELLIGENCE

- Monitors CPU/system temperature and overheat alarm
- Monitors VCore/5V/3.3V/1.5V/12V/3VSB/VBAT voltages and failure alarm
- Monitors CPU/system fan speed and failure alarm
- Read back capability that displays temperature, voltage and fan speed

POWER CONSUMPTION

- 75.07W with E3-1275 v3 at 3.50GHz and 4x 2GB DDR3 DIMM

OS SUPPORT

- Windows 7 Ultimate x86 & SP1 (32-bit)
- Windows 7 Ultimate x64 & SP1 (64-bit)
- Windows 8 Enterprise x86 (32-bit)
- Windows 8 Enterprise x64 (64-bit)
- Windows 10 IoT Enterprise (64-bit)

TEMPERATURE

- Operating: 0°C to 60°C
- Storage: -20°C to 85°C

HUMIDITY

- 5% to 90%

MTBF

- 418,149 hrs @ 25°C; 238,875 hrs @ 45°C
- Calculation model: Telcordia Issue 2, Method I Case 3
- Environment: GB, GC – Ground Benign, Controlled

DIMENSIONS

- ATX form factor
- 305mm (12") x 244mm (9.6")

CERTIFICATION

- CE, FCC Class B, RoHS, UL

► Packing List

• 1 DL631 motherboard	770-DL6311-000G
• 1 Serial ATA data cable (Length: 500mm, w/lock)	332-553001-005G
• 1 I/O shield	A49-HD6310-001G
• 1 DVD	643-HMD000-200G

► Optional Items

• USB port cable (Length: 350mm, USB2.0* 2)	A81-001066-016G
• Serial ATA data cable (Length: 500mm, w/lock)	332-553001-005G
• COM port cable (Length: 500mm, DB9* 2)	A81-015004-005G
• I/O shield	A49-HD6310-001G