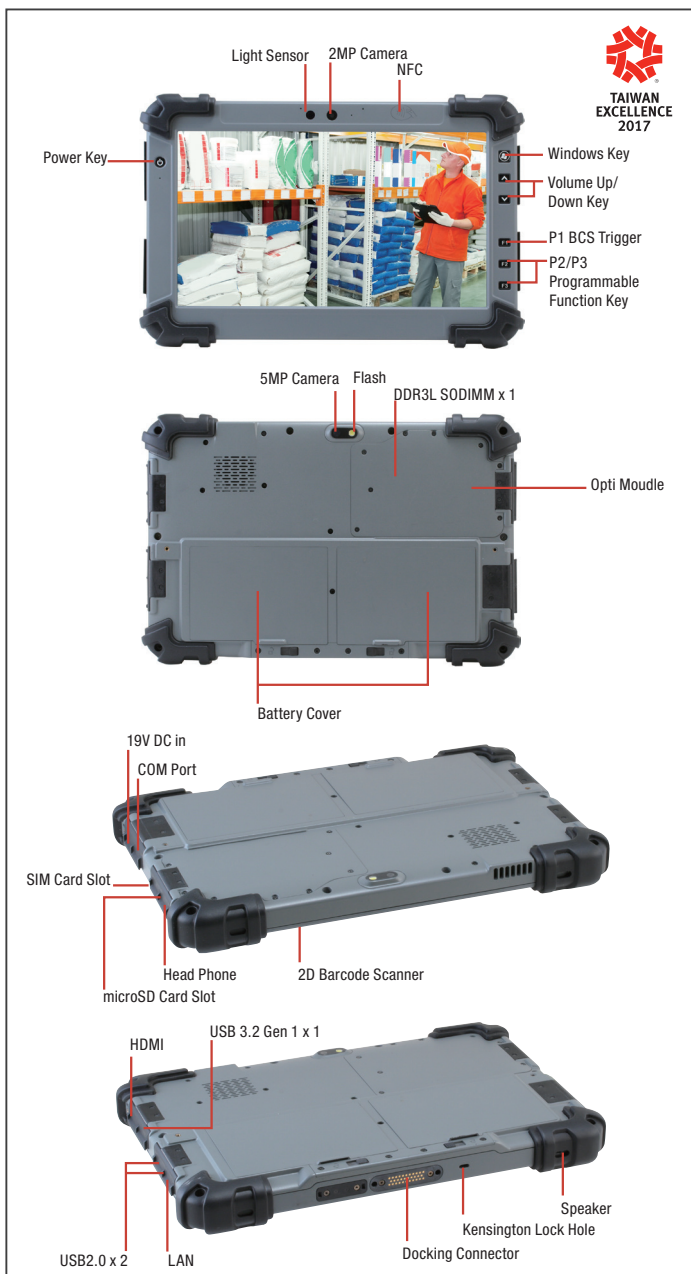


# RTC-1200

11.6" Rugged Tablet Features Intel Kaby Lake Up To 3.9 GHz Dual Core Processor with Windows® 10



## Specifications

System Architecture	
Processor	Intel® Core™ i 7100U / 7300U Dual Core up to 3.9GHz Intel® Celeron® 3965U Dual Core 2.2GHz Processor
Operating System	Windows® 10 IoT Enterprise 64bit (Default) Windows® 7 for Skylake (Optional)
Memory	DDR3L SODIMM Socket x 1, up to 8GB
Storage	M.2 (NGFF) SSD, 64GB (Default)
Display	11.6" FHD (1920x1080) 300-nit / 1000-nit TFT-LCD With Projected Capacitive Multi-Touch Screen
I/O Port	HDMI port x 1, SIM card slot x 1, Micro-SD card slot x 1, Audio jack x 1 (3.5mm), USB 3.2 Gen 1 x 1 (Type A), USB 2.0 x 2 (Type A), DC-in Jack x 1, RS-232/422/485 COM Port x 1, 10/100/1000 Base-T RJ45 x 1
Communication	Wi-Fi 802.11 b/g/n, Bluetooth v4.1
Navigation	GPS, GLONASS
WWAN(optional)	LTE via mini-card slot (Optional)
Camera	2 MP front camera, 5 MP auto-focus rear camera with flash
Sensor	G-sensor, E-compass, Gyro-sensor, Light-sensor

## Features

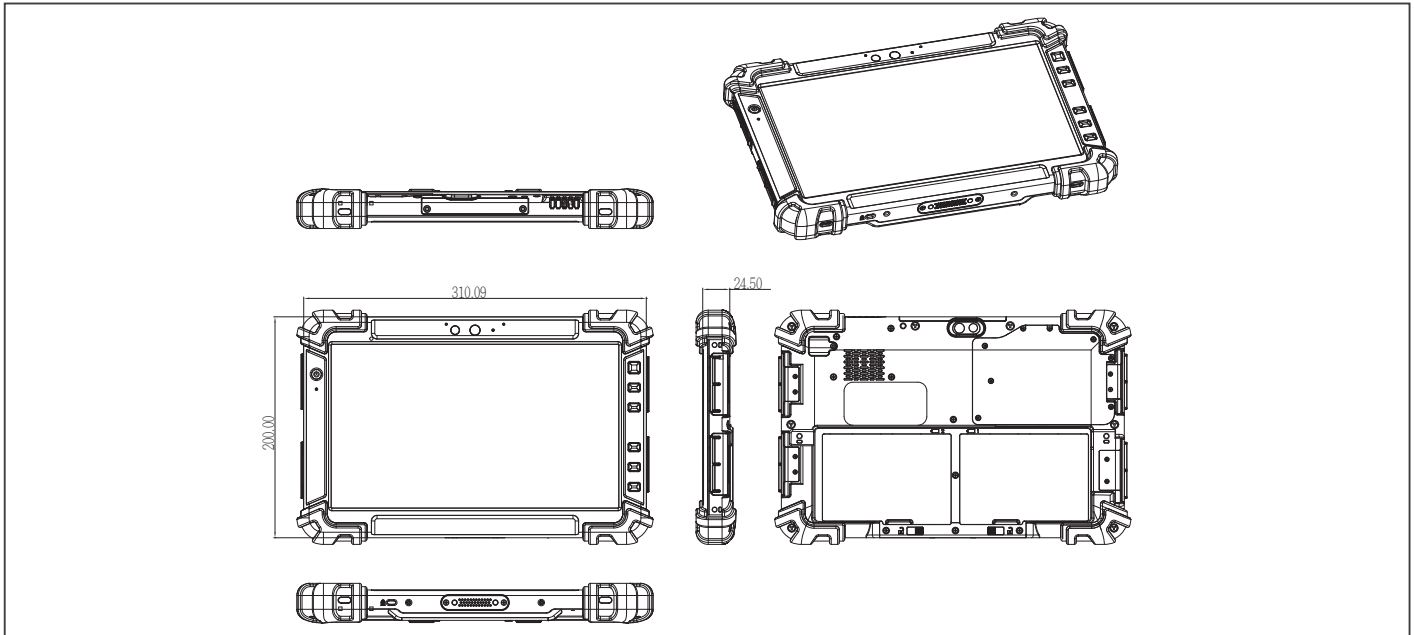
- 11.6" FHD (1920 x 1080) 300-nit / 1000-nit TFT LCD
- Intel® Core™ i 7100U / 7300U / Celeron® 3965U Up to 3.9 GHz
- One DDR3L SODIMM Socket, Up to 8GB
- One M.2 Slot for SSD, 64GB (Default)
- Projective Capacitive Multi-Touch Screen
- WiFi 802.11b/g/n, Bluetooth 4.1, LTE (Optional)
- 2MP Front and 5MP Rear Camera
- RS-232/422/485 COM Port + 10/100/1000 Base-T RJ45
- USB 3.2 Gen 1 x 1, USB 2.0 x 2
- 2D Barcode Scanner (Optional)
- NFC (HF RFID) Reader (Optional)
- Hot-swappable Battery, 14.4V/ 2270mAh, 32.7W x 2
- MIL-STD-810G, IP65 Compliant, Drop 122cm
- Programmable Function Key: Windows, Volume Up/Down, F1, F2, F3, With LED Illumination
- Docking Connector with GNSS / WWAN Antenna Pass-through Connector
- Windows® 10 IOT (Windows® 7 for Skylake, Optional)



Expansion Slot	Docking connector x 1, GNSS antenna Pass-through connector x 1, WWAN antenna Pass-through connector x 1
Barcode Scanner (Optional)	2D Barcode scanner, OPTICON MDI-4100-USB (Optional)
HF RFID (Optional)	ISO 15693 (R/W), ISO 18092 (R/W), ISO 14443-A (R/W), ISO 14443-B (Only Read UID), Depend on card type
Physical Key	F0 or Windows (Windows Start Key), F1(Ctrl+Alt+Del & Barcode Scanner Trigger), F2 (Touch Mode Switch), F3 (PrtSc/printscreens), Volume Up, Volume Down
Mechanical	
Color	Gray & Black
Dimension (W x H x D)	12.36" x 7.87" x 0.96" (310.4mm x 200mm x 24.5mm)
Gross Weight	3.3 lbs (1.5 kg)
Environmental	
Operating Temperature	-4°F ~ 140°F (-20°C ~ 60°C)
Storage Temperature	-67°F ~ 158°F (-55°C ~ 70°C)
Humidity	50°C; 5% ~ 90% R/H; 120 hours, non-condensing
Environmental Sealing	IP65
Vibration	MIL-STD-810G Method 514.6 Procedure I, Cat. 24, Fig. 514.6E-1 & E-2
Drop	MIL-STD-810G Method 516.6 Procedure IV - Height of Drop: 122cm (48 inch; 4ft), - Number of Drop: 26 times, - Floor: Two inch plywood backed by concrete, - For all surfaces, edges and corners
ESD	Air charge: +/- 8KV, Contact charge: +/- 4KV
Certifications and Standards	UL: UL60950-1, CE/LVD: EN60950-1, FCC, CE
Power Supply	
AC / DC Adapter	AC 100~240V, 50~60Hz ; DC 19V/3.42A (65W)
Battery Life	Dual Li-ion High Capacity Batteries, up to 10 Hours Battery Life
Master Battery	Hot-swappable battery: 14.4V, 2270mAh, 32.7W
Slave Battery	Hot-swappable battery: 14.4V, 2270mAh, 32.7W
Display	
LCD	11.6" TFT-LCD/ 16:9, with LED backlight
Resolution	1920 x 1080 pixel
Maximum Color	16.7M
Dot Size	0.117 x 0.117(H)
Brightness	1000 nits; 300 nits (Optional)
Viewing Angle	Horizontal: 178° (Typ.), Vertical: 178° (Typ.)
Touch Screen	
Touch Type	11.6" Projected Capacitive Multi-Touch Screen Gloves / Finger Switchable by F2
Light Transmission	Min 87% (ASTM D1003; Wavelength = 550 nm)

## Dimension

Unit: mm



## Ordering Information

Part Number	CPU	LCD Display	Touch Screen	System Memory	Storage	OS	WiFi/Bluetooth	LTE Bands (MHz)	Navigation	Sensor	Camera	Battery	Power	Expansion I/O	Size & Weight	Operation Temp	Durable	NFC (HF RFID)	2D Barcode Scanner	Docking
RTC-1200-RH0001	Intel® Celeron® 3955U	11.6" 300 nits	Pcap 10-point	SODIMM DDR3L 4GB	M.2 SSD 64GB	Windows 10 IoT	802.11 b/g/n + BT4.1	—	GPS/ Glonass	G-sensor E-compass Gyro-sensor Light-sensor	Front: 2MP Rear: 5MP w/Flash	32.7W + 32.7W	DC19V		310.4 mm x 200 mm x 24.5 mm, 1.5Kg	-4°F ~ 140°F (-20°C ~ 60°C)		—	—	Yes
RTC-1200-RH0002	Intel® Core™ i3 7100U	11.6" 1000 nits	Pcap 10-point	SODIMM DDR3L 4GB	M.2 SSD 64GB	Windows 10 IoT	802.11 b/g/n + BT4.1	—	GPS/ Glonass	G-sensor E-compass Gyro-sensor Light-sensor	Front: 2MP Rear: 5MP w/Flash	32.7W + 32.7W	DC19V	HDMI port x 1, SIM card slot x 1, Micro-SD card slot x 1, Audio jack x 1, USB 3.2 Gen 1 x 1, USB 2.0 x 2, DC-in jack x 1, RS-232/422/485 COM Port x 1, 10/100/1000 Base-T RJ45 x 1	310.4 mm x 200 mm x 24.5 mm, 1.5Kg	-4°F ~ 140°F (-20°C ~ 60°C)	Meet IEC 60529 IP-65 standard MIL Std 810G-516.6, Procedure IV MIL Std 810G-514.6, Procedure I 26 drops of 48" height to 2" plywood over concrete with bumpers & unit off 2 units to pass	Yes	—	Yes
RTC-1200-RH0003	Intel® Core™ i3 7100U	11.6" 1000 nits	Pcap 10-point	SODIMM DDR3L 4GB	M.2 SSD 64GB	Windows 10 IoT	802.11 b/g/n + BT4.1	—	GPS/ Glonass	G-sensor E-compass Gyro-sensor Light-sensor	Front: 2MP Rear: 5MP w/Flash	32.7W + 32.7W	DC19V		310.4 mm x 200 mm x 24.5 mm, 1.5Kg	-4°F ~ 140°F (-20°C ~ 60°C)		Yes	Yes	Yes
RTC-1200-RH0004	Intel® Core™ i5 7300U	11.6" 1000 nits	Pcap 10-point	SODIMM DDR3L 4GB	M.2 SSD 64GB	Windows 10 IoT	802.11 b/g/n + BT4.1	—	GPS/ Glonass	G-sensor E-compass Gyro-sensor Light-sensor	Front: 2MP Rear: 5MP w/Flash	32.7W + 32.7W	DC19V		310.4 mm x 200 mm x 24.5 mm, 1.5Kg	-4°F ~ 140°F (-20°C ~ 60°C)		Yes	—	Yes

## Packing List

- 125530065A Adapter
- RTC-1200

## Optional Accessories

- RTC-1200HSP01-000 Rotating Hand-Strap
- RTC-1200SPC01-000 Swivel portfolio case
- RTC-1200BKT01-000 Mount Bracket (VESA/RAM)
- RTC-1200BLT01-000 Shoulder Belt 2-point
- RTC-1200-STSO2-000 Active Stylus
- RBC-1200-000 Battery Charger
- RTC-1200BLT02-000 Shoulder Belt 4-point
- RTC-1200BAT01-000 Batteries x 2/ Box
- RDS-241V-0000/0001 Vehicle Docking

\* Small quantity MOQ may apply for optional/customized services.