

Apacer

The Most **Reliable**
Storage For Industries



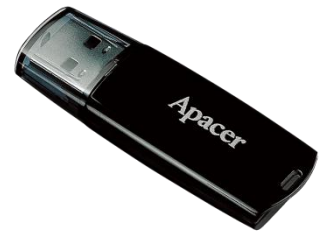
AH322-M



AH322-M

Overview

In addition to the highly reliable SLC chips, Apacer also offer the cost-effective MLC solutions in two housing choices, the industrial AH321-M and AH322-M adopting USB2.0 with up to 64GB, to provide more options to customers. The greatest difference between the industrial-grade USB drives and other consumer flash drives on the market lies in its firmware version and major components that can be fixed. Apacer's clients can benefit from the stable, long-term supply, with compatibility issues caused by frequent product component changes significantly reduced. Time and money spent on product verification can also be saved.



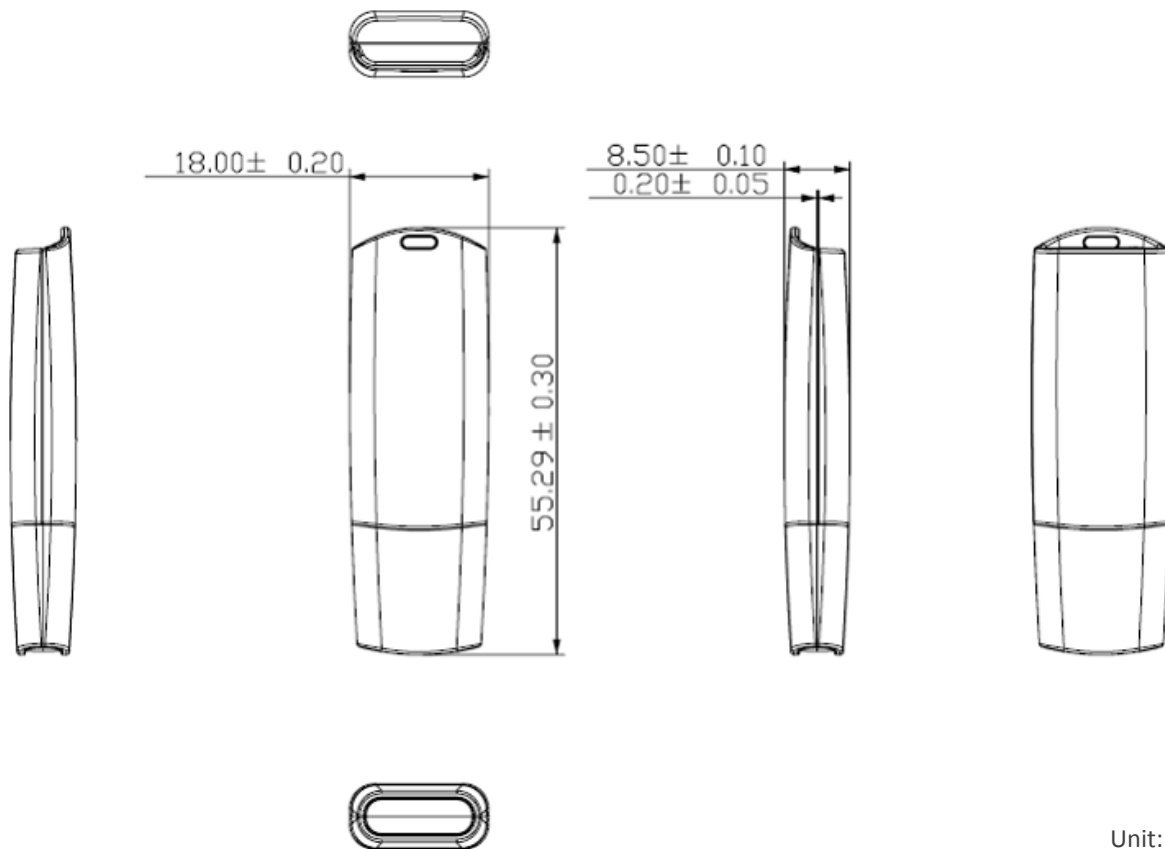
Feature

- USB 2.0 high-speed transmission
- Implements advanced wear-leveling algorithms
- ECC engine
- Power Saving implemented
- Optional Industrial temp. range -40°C to 85°C "

Specifications

Model	AH322-M
Interface	USB 2.0
Connector	USB 2.0 A Type Plug
Form Factor	USB flash drive
Operation Mode	NULL
Transfer Mode	NULL
NAND Flash Type	MLC
Capacity	4GB~64GB
Sustained Read Performance (MB/sec)	Up to 33
Sustained Write Performance (MB/sec)	Up to 16
ECC Engine	Built-in 24-bit per 1K bytes BCH ECC
Standard Operating Temperature (°C)	0 ~ + 70
Extended Operating Temperature (°C)	-40 ~ + 85
Storage Temperature (°C)	-40 ~ + 100
Shock	Operation: 50G, 11ms Non-operation: 1500G, 0.5ms
Vibration	Operation: 7.69 Grms, 20~2000 Hz/random (comply with MIL-STD-810G) Non-operation: 15 G, 10 ~ 2000 Hz/sine
Operating Voltage	5.0 V ± 5%
Power Consumption	Active mode: 185 mA & Idle mode: 65 mA
Dimension (L x W x H)	55.29 x 18.00 x 8.50
MTBF (hours)	>1,000,000

Mechanical Specification



For more information, contact your Apacer representative

Global Presence

Taiwan (Headquarters)
Apacer Technology Inc.
Tel: +886-2-2267-8000
Fax: +886-2-2267-2261

Europe
Apacer Technology B.V.
Tel: +31-40-267-0000
Fax: +31-40-290-0686

U.S.A.
Apacer Memory America, Inc.
Tel: +1-408-518-8699
Fax: 1-510-249-9551

China
Apacer Electronic(Shanghai)
Co., Ltd.
Tel: +86-21-6228-9939

Japan
Apacer Technology Corp.
Tel: +81-3-5419-2668
Fax: +81-3-5419-0018

India
Apacer Technologies Pvt. Ltd.
Tel: +91-80-41529061~3
Fax: +91-80-41700215