

Apacer

The Most **Reliable**
Storage For Industries



CompactFlash 6 (MLC)



Industrial CF6 (MLC)

Overview

Apacer CompactFlash 6 card is compliant with the CFA 6.0 specifications. Apacer adopts the standard 50-pin connector and MLC chip featuring lower cost and higher capacity for the card. It is available in capacities from 8GB to 128GB. The data transfer mode is up to PIO-6, Multi-Word DMA-4 and Ultra DMA-7 with the sequential read/write speed reaching as fast as 105/65 MB/sec. To help data stay correct, this CompactFlash 6 memory card also supports 72-bit ECC function, wear-leveling function and S.M.A.R.T. (Self-Monitoring, Analysis, and Reporting Technology), thereby substantially enhancing product reliability.



*The actual available memory on the device is less than what is listed on the package. This is due to small discrepancies in file formats and algorithms used by various operating systems. In addition, a portion of memory space is reserved for system files and data sectors for better performance.

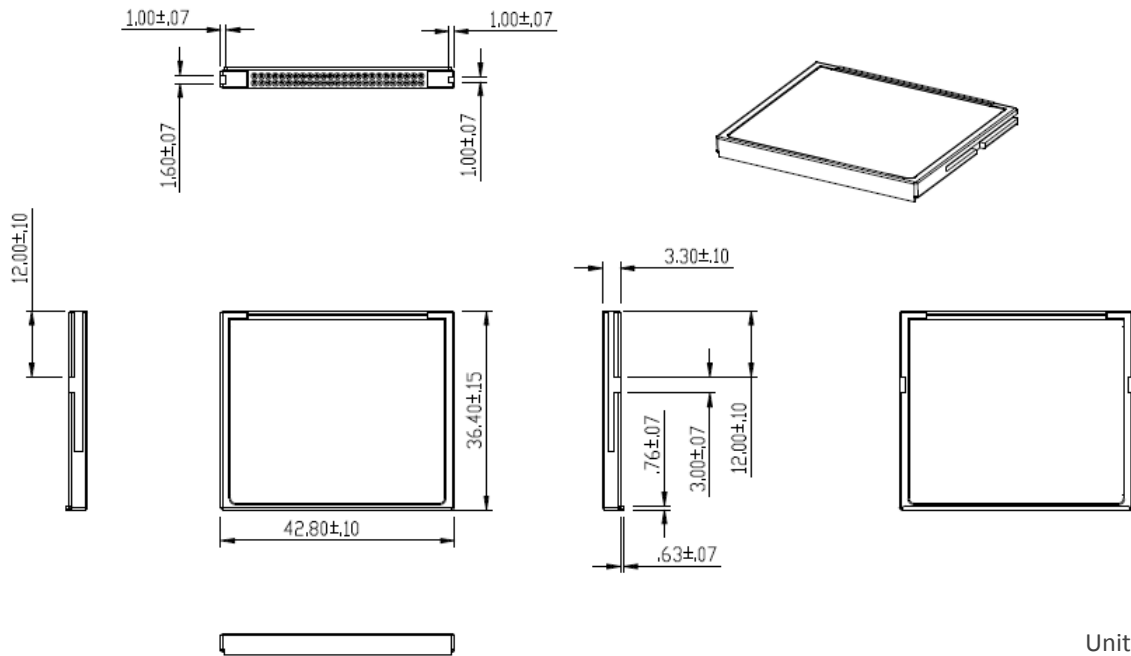
Feature

- Built-in ATA Secure Erase and S.M.A.R.T. Functions
- Advanced wear-leveling and Block Management
- Power Failure Management
- Wide Temp

Specifications

Model	CompactFlash 6 (MLC)
Interface	PC Card Memory Mode; PC Card I/O Mode; True IDE Mode
Connector	50-pin
Form Factor	CompactFlash Type I
Transfer Mode	PIO Mode-6, MWDMA Mode-4, UDMA Mode-7
NAND Flash Type	MLC
Capacity	8GB~128GB
Sustained Read Performance (MB/sec)	Up to 105
Sustained Write Performance (MB/sec)	Up to 65
ECC Engine	Built-in 72-bit per 1K bytes BCH ECC
Standard Operating Temperature (°C)	0 ~ + 70
Extended Operating Temperature (°C)	-40 ~ + 85
Storage Temperature (°C)	-40 ~ + 100
H/W Write Protect	No
Shock	Operation: 50G, 11ms Non-operation: 1500G, 0.5ms
Vibration	Operation: 7.69 Grms, 20~2000 Hz/random (compliant with MIL-STD-810G) Non-operation: 15 G, 10 ~ 2000 Hz/sine
Operating Voltage	3.3 V / 5.0 V ± 5%
Power Consumption	Operating Voltage: 3.3V –Active mode: 260 mA –Standby mode: 15 mA Operating Voltage: 5.0V –Active mode: 270 mA –Standby mode: 15 mA
Dimension (L x W x H)	36.4mm x 42.8mm x 3.3mm
MTBF (hours)	>1,000,000

Mechanical Specification



For more information, contact your Apacer representative

Global Presence

Taiwan (Headquarters)
Apacer Technology Inc.
Tel: +886-2-2267-8000
Fax: +886-2-2267-2261

Europe
Apacer Technology B.V.
Tel: +31-40-267-0000
Fax: +31-40-290-0686

U.S.A.
Apacer Memory America, Inc.
Tel: +1-408-518-8699
Fax: 1-510-249-9551

China
Apacer Electronic(Shanghai)
Co., Ltd.
Tel: +86-21-6228-9939

Japan
Apacer Technology Corp.
Tel: +81-3-5419-2668
Fax: +81-3-5419-0018

India
Apacer Technologies Pvt. Ltd.
Tel: +91-80-41529061~3
Fax: +91-80-41700215