

LEO-W

Wearable Barcode Ring

NEW



Features

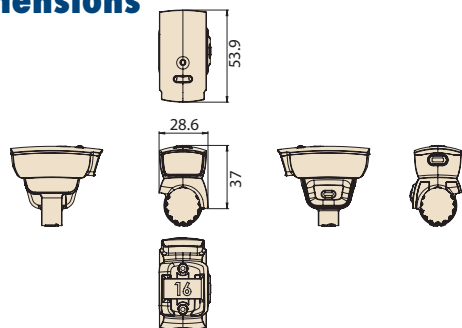
- Wearable ring enables hands-free operation
- Compact and lightweight for convenient portability
- Battery supports 8 hours operation/2.5 hour charge time
- Ergonomic design enhances user comfort

Specifications

| | | | | | | | | | | | |
|-----------------------------------|--|---|-----------|-------------------|---------------------|--------------------|--|---------------------|--|---------------------|--|
| Sensor Type | Linear | | | | | | | | | | |
| Resolution | 4 mil/0.1 mm | | | | | | | | | | |
| Indicator | LED, Buzzer | | | | | | | | | | |
| Angle | Scan Angle 41° Pitch Angle ±30° Skew Angle ±40° Roll Angle ±20° | | | | | | | | | | |
| Battery | 250 mAh | | | | | | | | | | |
| Battery Life | 6000 scans (1 scan/5 secs) | | | | | | | | | | |
| Charge Time | 2.5 hours (full capacity) | | | | | | | | | | |
| Radio | Bluetooth 4.1 (Class 2) | | | | | | | | | | |
| Coverage | 10 m/33 ft (line of sight) | | | | | | | | | | |
| Symbologies | UPC-A/UPC-E, EAN-8/EAN-13, Industrial 2 of 5, Codabar, Matrix 2 of 5, Code 11, Code 93, Code 32, Code 128, Standard Code 39, Full ASCII Code 39, Interleaved 2 of 5, China Postal Code, MSI Plessey Code, UK Plessey Code, EAN/UCC 128, Telepen Code, IATA Code, GS1 Databar | | | | | | | | | | |
| Typical Depth of Field (@800 Lux) | <table border="0"> <tr> <td>▪ Code 39</td> <td>▪ UPC/EAN</td> </tr> <tr> <td>4 mil: 33 ~ 83 mm</td> <td>13 mil: 41 ~ 239 mm</td> </tr> <tr> <td>5 mil: 27 ~ 105 mm</td> <td></td> </tr> <tr> <td>10 mil: 30 ~ 205 mm</td> <td></td> </tr> <tr> <td>15 mil: 44 ~ 292 mm</td> <td></td> </tr> </table> | ▪ Code 39 | ▪ UPC/EAN | 4 mil: 33 ~ 83 mm | 13 mil: 41 ~ 239 mm | 5 mil: 27 ~ 105 mm | | 10 mil: 30 ~ 205 mm | | 15 mil: 44 ~ 292 mm | |
| ▪ Code 39 | ▪ UPC/EAN | | | | | | | | | | |
| 4 mil: 33 ~ 83 mm | 13 mil: 41 ~ 239 mm | | | | | | | | | | |
| 5 mil: 27 ~ 105 mm | | | | | | | | | | | |
| 10 mil: 30 ~ 205 mm | | | | | | | | | | | |
| 15 mil: 44 ~ 292 mm | | | | | | | | | | | |
| Dimensions (H x W x D) | 53.9 x 37 x 28.6 mm (2.12 x 1.45 x 1.05 in) | | | | | | | | | | |
| Weight | 33 g (0.07 lb) | | | | | | | | | | |
| Environmental | Operating Temperature | -20 ~ 50 °C (-4 ~ 122 °F) | | | | | | | | | |
| | Storage Temperature | -20 ~ 60 °C (-4 ~ 140 °F) | | | | | | | | | |
| | Humidity | Up to 95% relative humidity, non-condensing | | | | | | | | | |
| | Drop Tolerance | 1.2 m | | | | | | | | | |
| | IP Rating | IP54 | | | | | | | | | |
| Light Levels | 70,000 lux | | | | | | | | | | |
| ESD | 4 kV contact, 8 kV air | | | | | | | | | | |
| Certification | CE, FCC, NCC | | | | | | | | | | |

Dimensions

Unit: mm



Ordering Information

| Part Number | Description |
|--------------|--------------------|
| LEO-WB21-000 | LEO-W barcode ring |

Packing list

| Part Number | Description |
|----------------|--------------------|
| 968AD00461 | Magnetic USB cable |
| 1990033112T000 | #10 ring strap |
| 1990033113T000 | #12 ring strap |
| 1990033114T000 | #16 ring strap |
| 1990033115T000 | #20 ring strap |
| 1990033116T000 | #24 ring strap |