

AR-DP080VW

8-Inch(16:9) Display Monitor with VGA, USB Touch Screen



Features

- 8-Inch(16:9) Wide Screen
- CCFT Backlight
- Resistive Touch Screen
- VESA75 Mounting and Stand
- DC 12V Power Input



Specification

Panel

Panel Size	8-Inch Wide Screen (16:9)
Resolution	Supports from 640 x 480 ~ 1600 x 1024 pixels
Luminance (cd/m2)	500 nits
View Angle (H/V)	H:120 / V:100
Backlight Lifetime	20,000 hours
Touch Screen Type	4-wire Resistive

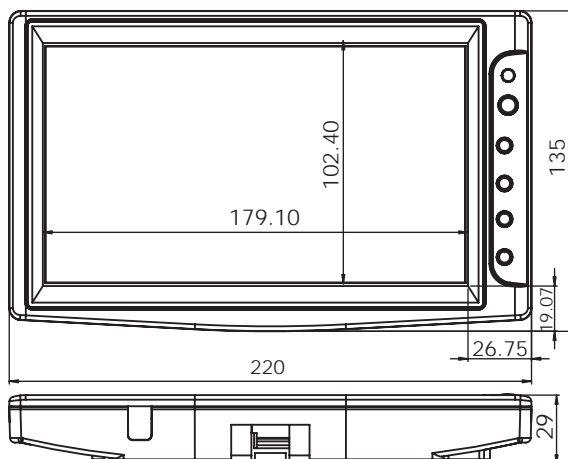
I/O

Video Interface	1 x VGA
USB	1 x USB for Touch Screen
Audio	1 x 3.5mm stereo Jack

Power Requirement

Power Input	DC 12V
Power Consumption	7.2W

Dimension



Software

TouchKit Driver Support

Windows: Vista, 9X, Me, NT4.0, 2000, XP, CE.net, CE 2.12, CE 3.0, Embedded, Dos.
Mac: Mac OS 9X, OS X (Intel CPU).
Linux: Linux Readme, Mandrake, Red Hat, Fedora Core, SuSE, Debian, Ubuntu, Yellow Dog

Mechanical & Environment

Chassis Material	Plastic
Dimension (W x H x D)	220mm x 135mm x 29 mm
Mounting	VESA 75, Metal Stand
Operating Temp.	0~70°C
Storage temp.	-20~70°C
Safety	CE, E-Mark, FCC

Packing List

- User Manual x 1
- Metal Stand x 1
- All-in-One Cable x 1 (VGA / USB / DC Jack / Audio)
- Remote Controller x 1
- Touch Driver CD x 1
- Touch Stylus x 1
- Car Cigarette Lighter Adapter x 1(Option)
- AC Switching Power Supply x 1

