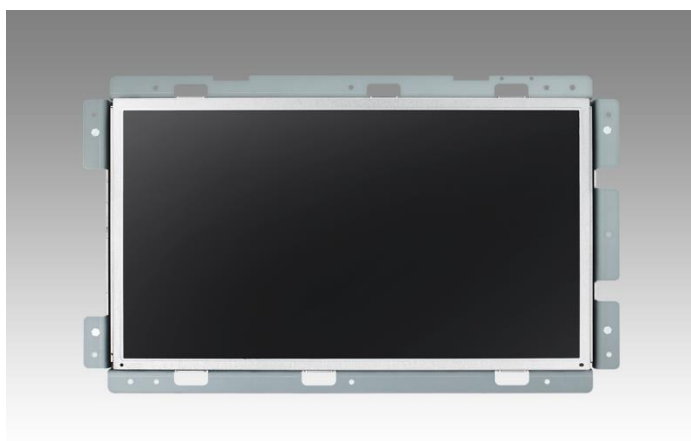


DMS-ST06

15.6" / 18.5" Open Frame PC



Features

- Freescale i.MX 6 Cortex-A9 Dual 1GHz processor
- On-board 1GB DDR3 & 4G eMMC flash
- 0°C to 40°C for operating
- Supports Android 4.2
- BT1120 interface for analog/ digital TV tuner card
- Low power, fan-less design
- IEEE 802.11b/g/n Wi-Fi on-board

Introduction

The **DMS-ST06** is a low power fan-less open frame, powered by Freescale i.MX 6 Cortex-A9 dual 1GHz processor, and focuses on fitness application. This open frame system has 1GB on-board DDR3 memory, 4G eMMC flash, and on-board Wi-Fi module. The **DMS-ST06** supports 1366 x 786 panel resolution (15.6" or 18.5"), and BT1120 interface for an analog/digital (EU/US) TV tuner card.

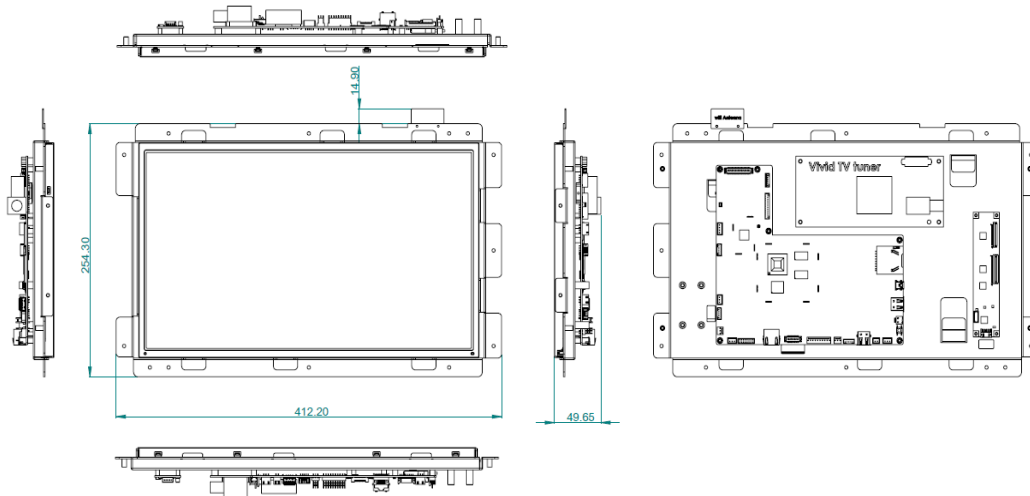
Specifications

		DMS-ST06 -15.6"	DMS-ST06 -18.5"
Computing System	CPU	Freescale Cortex A9 FSL i.MX6 Dual 1GHz	
	Graphic Engine	2x IPU (OpenGL ES 2.0 for 3D, BitBlit for 2D and OpenVG 1.1)	
	Memory	1GB DDR3, 1066MHz, up to 2GB	
Display	Screen Size	15.6" LED backlight(1366x768)	18.5" LED backlight (1366x768)
	Brightness	400 cd/m2	300 cd/m2
	Contrast Ratio	500:1	1000:1
	Touch Type	Projective capacitive touch screen (Optional)	
Storage	Type/ Capacity	4GB eMMC NAND Flash, up to 32GB	
I/O Connectors	Rear I/O	2 X USB2.0, 1 x miniUSB, 1xRJ45(support RS485)	
	Onboard	4 x GPIO(5x5 Membrane Key, Heart rate, Quick shift Incline, Quick shift Speed) 1 x PWM pin-header(Blower Fan) 1 x Line out pin-header 1 x BT1120 pin-header 1 x USB2.0 pin-header 1 x 12V ON/OFF switch pin header (Safe Key)	
Communications	Wi-Fi	IEEE 802.11b/g/n, on-board module	
Power	AC Adaptor	60W 12V/5A DC	
Environment	Temperature	Operating: 0°C ~ +40°C Storage: -20°C ~ +60°C	
	Humidity	Operating/ Storage: 10% ~ 95% @ 40°C non-condensing	
Physical Characteristics	Dimensions (W x H x D)	412x 269x 50mm	501x 328x 44mm
	Weight	3.0kg	3.3kg
Operating System		Android 4.2 Jelly Bean	

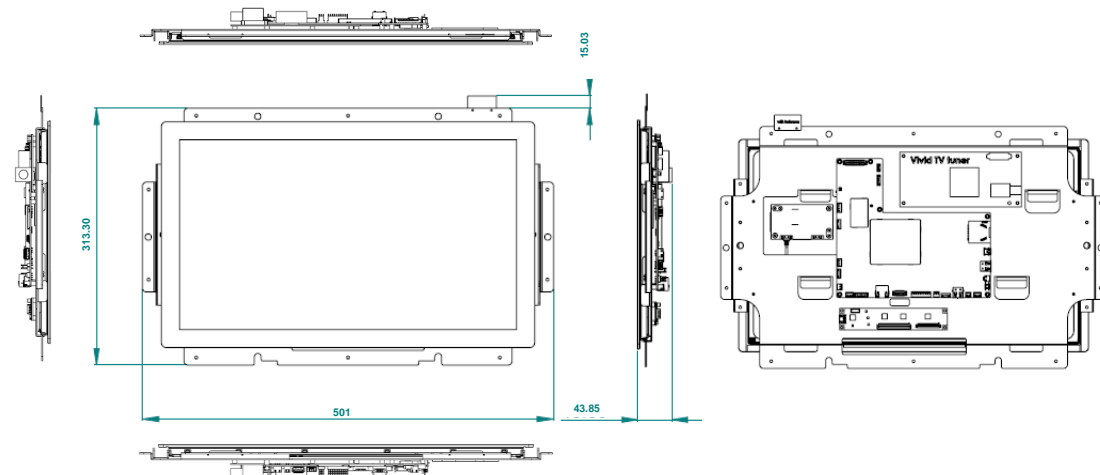
Dimensions

Unit: mm

15.6"



18.5"



Ordering Information

Part Number	Description	CPU	Memory	Flash Memory
DMS-ST06-40A1E	15.6" HD Open frame touch PC	Freescaleri.MX6 Dual 1GHz	1GB	4GB
DMS-ST06-50A1E	18.5" HD Open frame touch PC	Freescaleri.MX6 Dual 1GHz	1GB	4GB

Optional Accessory List

Part Number	Description
TBD	EU BT1120 TV tuner
TBD	US BT1120 TV tuner
1700024510-01	BT1120TV tuner cable
1757003934	ADAPTER 100-240V 60W 12V 5A
9680015800 & 9680015551	15.6" touch screen & touch controller
9680015801 & 9680014849	18.5" touch screen & touch controller

Packing List

Part Number	Description
1700024505-01	12V power cable

▪ For sales inquiries or further information, please contact us: Medical.dms@advantech.com.tw