

AMiS-50

Advantech Medical Cart



Features

- Highly integrated computer and power cart solution for medical applications
- All-In-One Touch Computer or Embedded PC with Intel Core i CPU for high performance for high performance
- 10-hour battery runtime with 420Wh power supply
- 40-kg load capacity with motorized height adjustment
- Medical-grade certification
- IPX1 rated for superior infection control
- Keyboard light supports use in dark environments
- 4 x USB and 1x RJ-45 port in VESA mount neck

CE FCC

Specifications

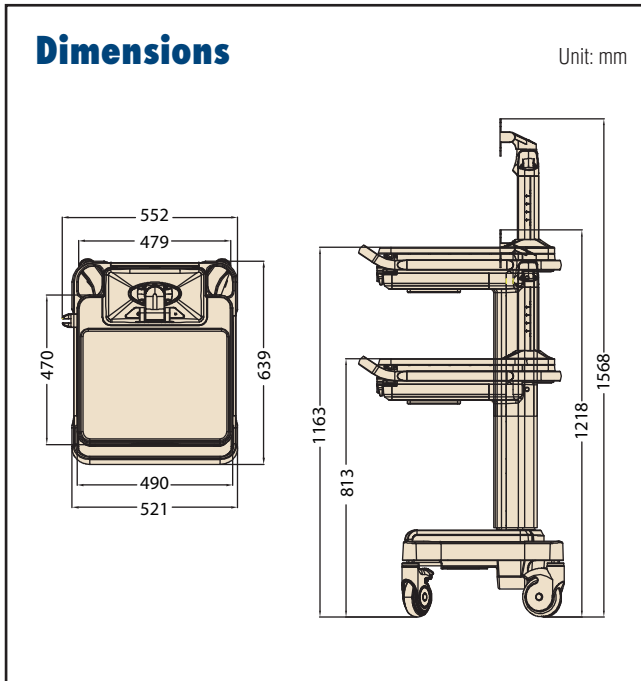
Category	Attribute	AMiS-50
Base Cart	Footprint	19.7" x 18.5" (500 x 470 mm)
	Casters	125 mm x 125 mm (Medical casters, two locking, two non-locking)
	Height Adjustment Range	32.0" ~ 45.8" (813 ~ 1163 mm); stroke 350mm
	Display Holder	Standard VESA Mount (VESA 75/75; VESA 100/100); Weight capacity: max. 18 kg
	I/O Ports	USB3.0 ports x 4, Gigabit Ethernet Interface (RJ-45) x 1
	Dashboard	Battery Power Button Computer Power Button LED for Battery Capacity Indication
	Work Surface	18.5" x 19.3" (469.9 x 489.9 mm) Extra Loading Capacity: Up to 88 lb/40 kg
Keyboard & Mouse Area	Keyboard Size:	380 x 140 x 25 mm
	Keyboard LED Light Mouse Tray	
Accessory Integration Interface	Neck: Dove Tail Work Surface: DIN Rail (Right, Left and Rear)	
Power Module	Battery Type	Lithium-ion
	Battery Capacity	420Wh
	Power Input Voltage	100 ~ 240 V _{ac} , 50-60 Hz, Max 4.5A
	DC Output Voltage	System 1: 19 V _{dc} , Max. 6 A System 2: 12 V _{dc} , Max. 5 A
	Battery Lifespan	Capacity 80%, 2000cycles or 2 years (Depends on which term come first)
	Battery Charge Time Battery Runtime (Depends on system configuration)	< 3hr. DOD 100% 8~10 Hours
Battery Management Software	AMiS_Link	Battery Capacity Indicator Alerts (battery capacity, temperature, warning) Battery Lifecycle Statistics Report & Log File Client Installation Server Installation (Optional) Multi-language support, including Chinese Traditional, Chinese Simplified, English, German and Dutch
Certification		CE, FCC, IEC60601-1 Compliance

Computer System Section

Category	Attribute	
All-in-one Touch Computer	CPU	Intel Core i5-7300U 2.6GHz
	Memory	4 GB DDR4 SODIMM
	Storage	2.5" SATA SSD 128GB
	Display	21.5" 1920 x 1080 FHD P-Cap Touch Screen
	WiFi	Intel® Dual Band Wireless-AC 8265
	Speaker	1.5 Watt x 2
	IP Rating	Front Panel: IP65 Entire Computer: IPX1
Embedded Computing System	Operating System	Win10 IoT
	CPU	Intel® Core™ i7 6600U
	Chipset	6th Gen Intel® Core™ Mini-ITX
	Memory	4GB DDR4 SO-DIMM max16x2
	Storage	2.5" SATA HDD 500 GB
	Box PC I/O Ports	DP/HDMI x 1 DP++ x 1 Ethernet x 2 COM x1 USB 3.0 x 4 2 single audio jack for Line-Out (green), Mic-in (Red) DC Jack x 1
	WLAN	802.11a/b/g/n
	Operating System (Optional)	Support Microsoft Window 10

Dimensions

Unit: mm



Display Holder I/O



USB 3.0 x 4



Gigabit LAN x1

Control Panel



Battery power

Height adjustment

Computer power

Ordering Information

Power Cart

Part Number	Motor	Computer	Battery
AMIS-50-1M1-K2NE-C	Yes	-	IPS-M420S

All-In-One Touch Computer Cart

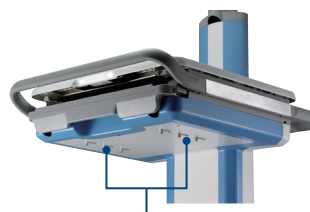
Part Number	Motor	Computer	Battery
AMIS-50-LM1-K2N30C	Yes	i5 7300U / 4GB RAM / 128G SSD / Win 10 IoT	IPS-M420S

Embedded Computer Cart

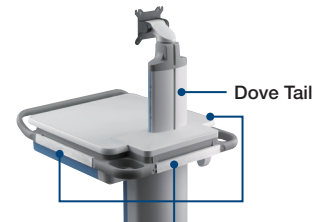
Part Number	Motor	Computer	Battery
AMIS-50-JM1-K2N7-C	Yes	i7-6600U / 4GB RAM / 500G SSD	IPS-M420S
AMIS-50-JM1-K2N70C	Yes	i7-6600U / 4GB RAM / 128G SSD	IPS-M420S

DIN Rail & Dove Tail

For accessory and device integration



DIN Rail



Dove Tail

Side Din Rail

Battery

IPS-M420S Li-ion Battery



Peripheral Ordering Information

Power Cord

Part Number	Power Cord Type (Spiral)
1700019822	China
1700019823	US
1700019824-11	EU
1700019825	UK
1700020538-01	Australia
1700022626-01	Brazil

Display

Part Number	Touch	DICOM preset	True Flat	Power
PDC-W210-D10-ATE	Yes	Yes	No	DC
PDC-W210-D10-AGE	No	Yes	No	DC
AMT-1021N-D25W1	No	No	No	DC

AMiS_Link

