

LEO-D51

5.65" ePaper Display with Sub-1GHz Communication

NEW



Features

- 5.65" ePaper display with black, white, and red ink
- Sunlight-readable display with 180-degree viewing angle
- Supports data transmissions via Sub-1GHz communication
- Display tags for roaming and location positioning applications
- Cableless design ensures quick installation
- Battery supports operation for 2 years (10 updates per day)
- Equipped with a display fastener for various fixed solutions

Introduction

LEO-D51 is an ePaper display that represents a new generation of environmentally friendly products. Designed to replace printed paper, the LEO-D51 ePaper display is a low-power information display solution equipped with Sub-1GHz communication that allows the display content to be synchronously updated. The embedded Sub-1GHz protocol offers excellent signal penetration for long-range transmissions and supports roaming for positioning applications. Moreover, with its minimal power consumption, the LEO-D51 ePaper display is ideal for IoT applications, such as factory production carts, hospital bedside displays, and conference room door displays.

Specifications

Display Size	5.65"
Display Area	114.9 x 85.8 mm (4.52 x 3.38 in)
Display Colors	Black, white, and red
Resolution	600 x 448 pixels
DPI	132
Dimensions	140.8 x 114 x 16.5 mm (5.54 x 4.49 x 0.65 in)
Weight	195 g (0.43 lb)
Protocol	Proprietary Sub-1GHz ISM band
Frequency	868 MHz/915 MHz
Power Supply	3 x AAA battery*
Operating Temperature	0 ~ 40 °C (32 ~ 104 °F)
IP Rating	IP54
Certifications	CE, FCC, NCC, TELEC

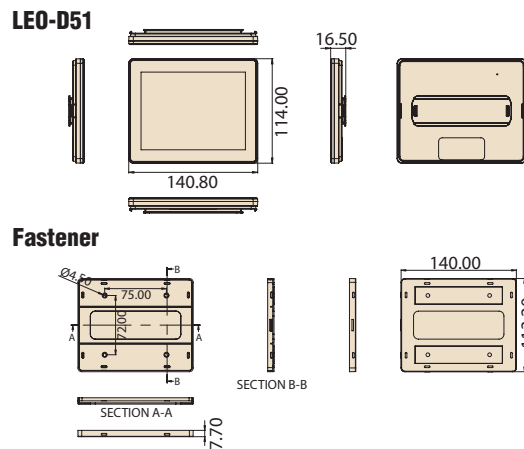
*Batteries are not contained in the package.

Ordering Information

Part Number	Display		Communication		Outlook	
	Size	Colors	Frequency	Region	Front/Back	Back
LEO-D51-ROE80	5.65"	Black, white, red	868 MHz	Europe	White/Blue	White
LEO-D51-RON90	5.65"	Black, white, red	915 MHz	US/Japan/China/Taiwan	White/Blue	White

Dimensions

Unit: mm



Sub-GHz Gateway



Features

- Interface: Ethernet and wireless
- Protocol: Proprietary Sub-1GHz ISM band
- LED Indicators: Green (power), blue (network), red (error)
- Transmission Range: 100 meters (328 ft) line of sight
- Connection Quantity: 15 Hubs
- Power Supply: DC 5V1A mini USB
- Dimensions: 78 x 68 x 30.3 mm (3.07 x 2.68 x 1.19 in) excluding antenna
- Weight: 84 g (0.185 lb)
- Operating Temperature: 0 ~ 40 °C (32 ~ 104 °F)

Sub-GHz Hub



Features

- Interface: Wireless
- Protocol: Proprietary Sub-1GHz ISM band
- LED Indicators: Green (power), blue (network), red (error)
- Transmission Range: 100 meters (328 ft) line of sight
- Connection Quantity: 1000 display tags
- Power Supply: DC 5V1A mini USB
- Dimensions: 68.5 x 49 x 33 mm (2.7 x 1.93 x 1.3 in) excluding antenna
- Weight: 60 g (0.132 lb)
- Operating Temperature: 0 ~ 40 °C (32 ~ 104 °F)

Ordering Information

Part Number	Type	Frequency	Region
USM-D62-E80	Gateway	868 MHz	Europe
USM-D62-N90	Gateway	915 MHz	US/Japan/China/Taiwan
USM-D64-E80	Hub	868 MHz	Europe
USM-D64-N90	Hub	915 MHz	US/Japan/China/Taiwan