

ST102-SD

H110

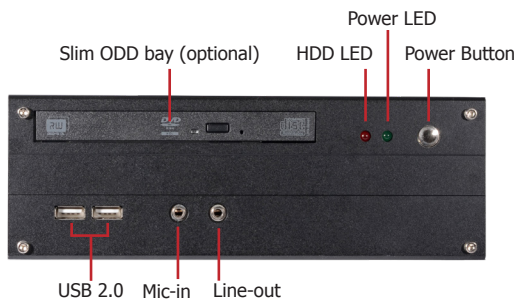


► Features

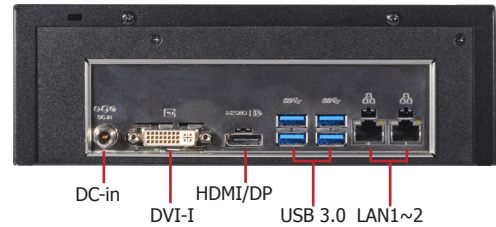
- Supports 4GB/8GB DDR4 SODIMM
- 1x 2.5" SATA drive bay
1x optional slim ODD bay
- 2 LAN, 4 USB



► Panel

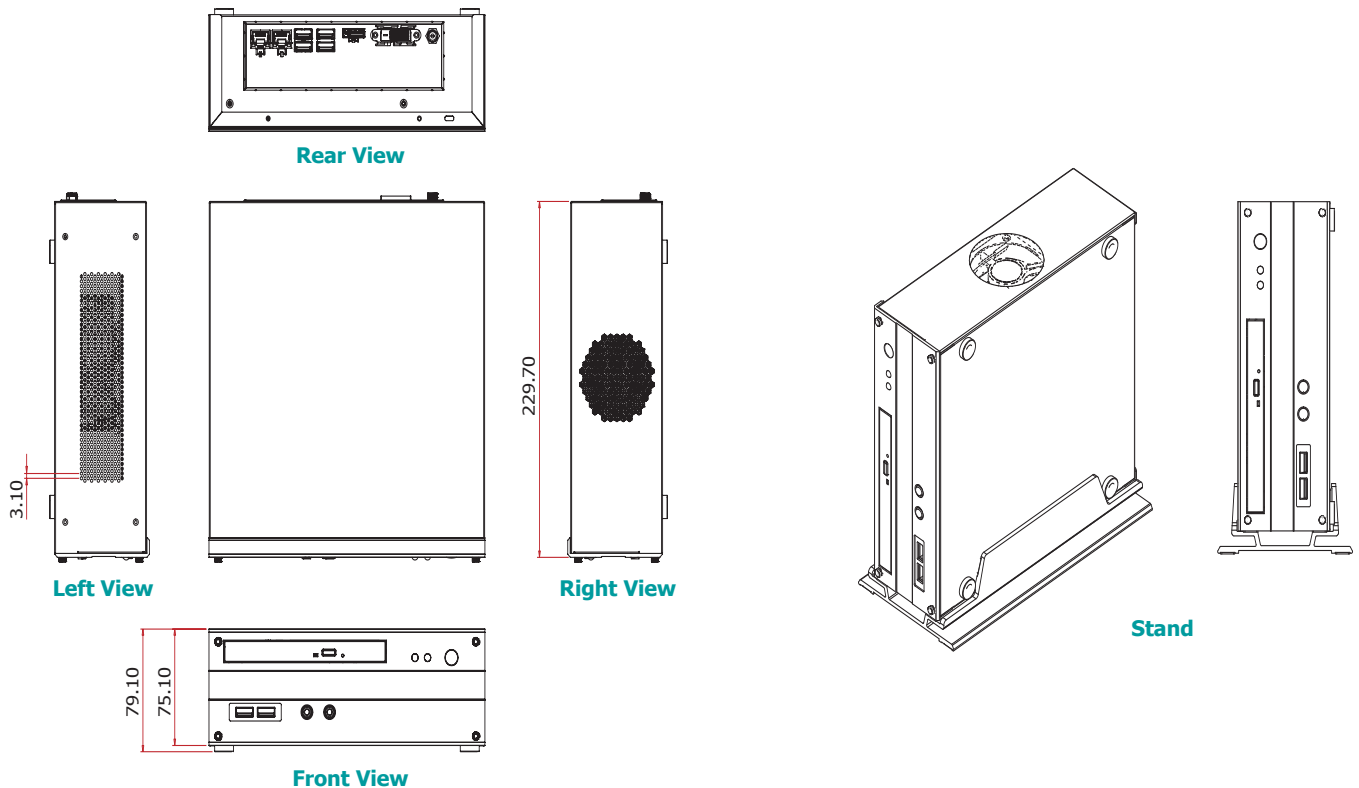


Front View



Rear View

► Dimensions



► Specifications

SYSTEM	Processor	6th/7th Generation Intel® Core™ Processors, LGA 1151 Socket Intel® Core™ i7-7700T, Quad Core, 8M Cache, 2.9GHz (3.8GHz), 35W Intel® Core™ i5-7500T, Quad Core, 6M Cache, 2.7GHz (3.3GHz), 35W Intel® Core™ i3-7101T, Dual Core, 3M Cache, 3.4GHz, 35W Intel® Celeron® Processor G3930TE, Dual Core, 2M Cache, 2.7GHz, 35W Intel® Core™ i7-6700TE, Quad Core, 8M Cache, 2.4GHz (3.4GHz), 35W Intel® Core™ i5-6500TE, Quad Core, 6M Cache, 2.3GHz (3.3GHz), 35W Intel® Core™ i3-6100TE, Dual Core, 4M Cache, 2.7GHz, 35W Intel® Pentium® G4400TE, Dual Core, 3M Cache, 2.4GHz, 35W Intel® Celeron® Processor G3900TE, Dual Core, 2M Cache, 2.6GHz, 35W	
	Chipset	Intel® H110 Chipset	
	Memory	4GB/8GB Two 260-pin SODIMM	Dual Channel DDR4 1866/2133/2400MHz
	BIOS	AMI SPI 64Mbit	
GRAPHICS	Controller	Intel® HD Graphics	
	Feature	Supports 6 Graphics Execution Units (EUs) Intel® Clear Video Technology DirectX Video Acceleration (DXVA) support for accelerating video processing	
	Display	1 x DVI-I (DVI-D signal) 1 x HDMI/DP (DP available upon request)	DVI-I: resolution up to 1920x1200 @ 60Hz HDMI: resolution up to 2560x1600 @ 60Hz or 4096x2160 @ 60Hz DP: resolution up to 4096x2304 @ 60Hz
	Dual Displays	DVI-I (DVI-D signal) + HDMI/DP	
STORAGE		1 x 2.5" SATA 3.0 Drive Bay 1 x Slim ODD Bay (optional)	
AUDIO	Audio Codec	Realtek ALC888	
ETHERNET	Controller	1 x Intel® I210AT PCIe (10/100/1000Mbps) 1 x Intel® I219LM PCIe with iAMT11.0 (10/100/1000Mbps)	
LED	Indicators	1 x Power LED 1 x HDD LED	
FRONT I/O	USB	2 x USB 2.0	
	Audio	1 x Line-out 1 x Mic-in	
	Buttons	1 x Power Button	
REAR I/O	Ethernet	2 x GbE (RJ-45)	
	USB	4 x USB 3.0	
	Display	1 x DVI-I (DVI-D signal) 1 x HDMI/DP	
COOLING	Fan	1 x System Fan 1 x CPU Fan	
WATCHDOG TIMER	Output & Interval	System Reset, Programmable via Software from 1 to 255 Seconds	
POWER	Type	12V	
	Connector	DC Jack	
OS SUPPORT		Windows 10 IoT Enterprise 64-bit	
MECHANISM	Construction	Sheet Metal & Aluminum	
	Mounting	Wall mount	
	Dimensions (W x H x D)	219mm x 77.15mm x 229.7mm	
	Weight	TBD	
ENVIRONMENT	Operating Temperature	0 to 40°C	
	Storage Temperature	-20 to 70°C	
	Relative Humidity	10 to 85% RH (non-condensing)	
STANDARDS AND CERTIFICATIONS	Shock	Operating: 3G	Non-operating: 5G
	Vibration	Operating: Random 5~500Hz 1G	Non-operating: Sweep Sine 10~500Hz 1.5G
	Package Drop	ISTA Project 1A	
	Certification	CE/FCC/VCCI	

► Optional Items

Optional Items	Part Number	Description
Power Adapter	671-110005-100G	AC input, DC output 12V 100W, Level 6
Slim ODD	632-222010-010G	DVD RW Slim Type SATA,DS-8ACSH, PLDS
Foot Stand	TBD	Alluminum vertical foot stand