

# TPC150-SD

Q170

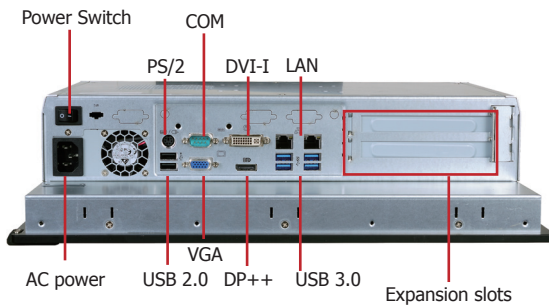


### Features

- 15" 1024x768 TFT LCD Panel with Touch Screen
- 2 x 2.5" SATA drive bays
- 1 USB 2.0 at the front panel for easy access
- 5 function keys at the front panel
- VESA/Panel Mount



### Panel

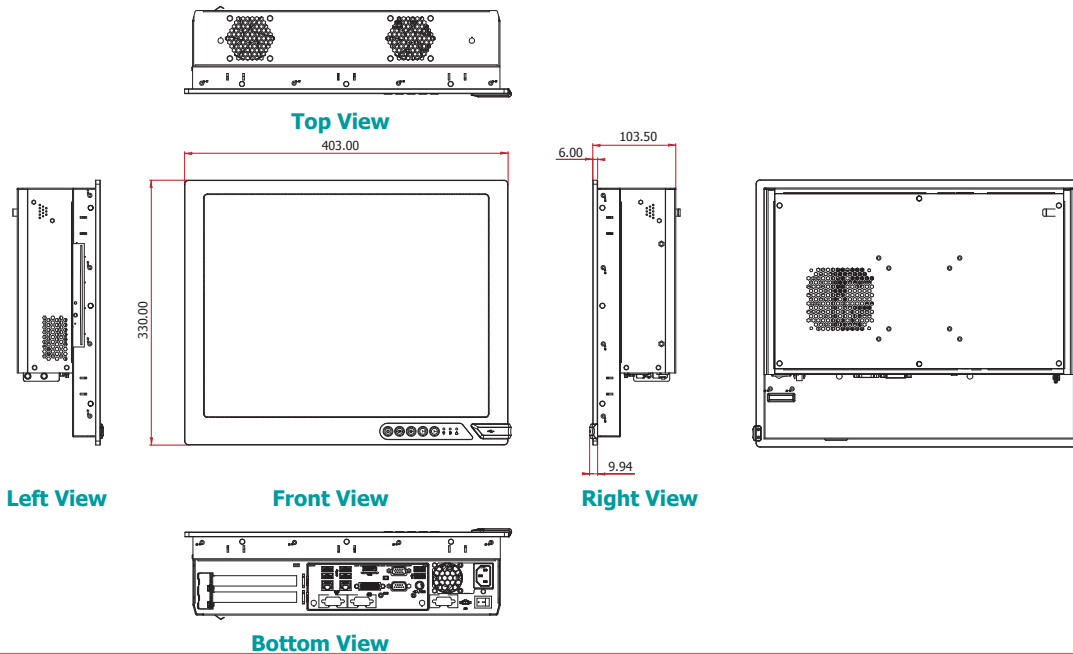


Bottom View



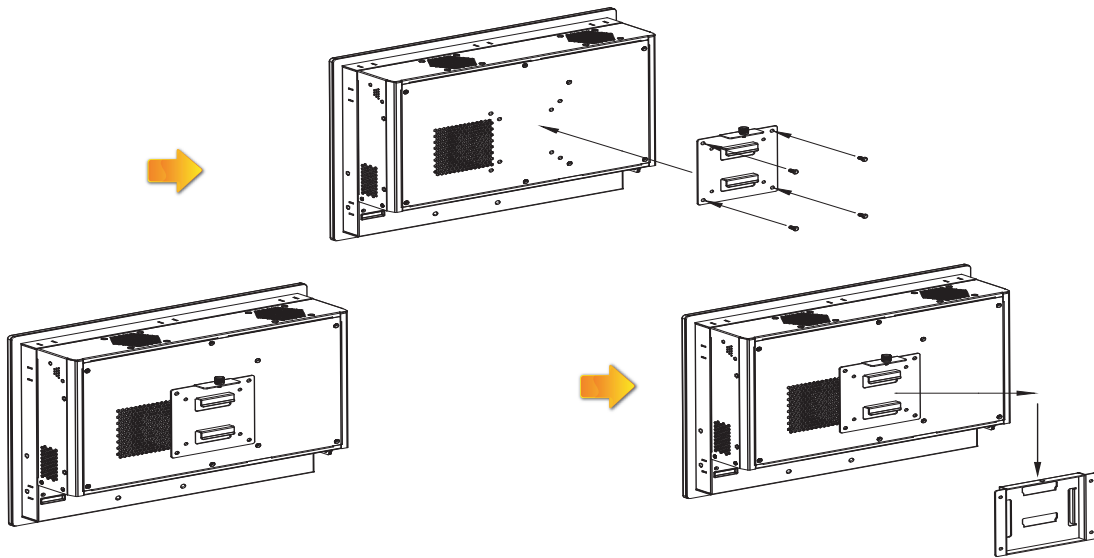
Top View

### Dimensions

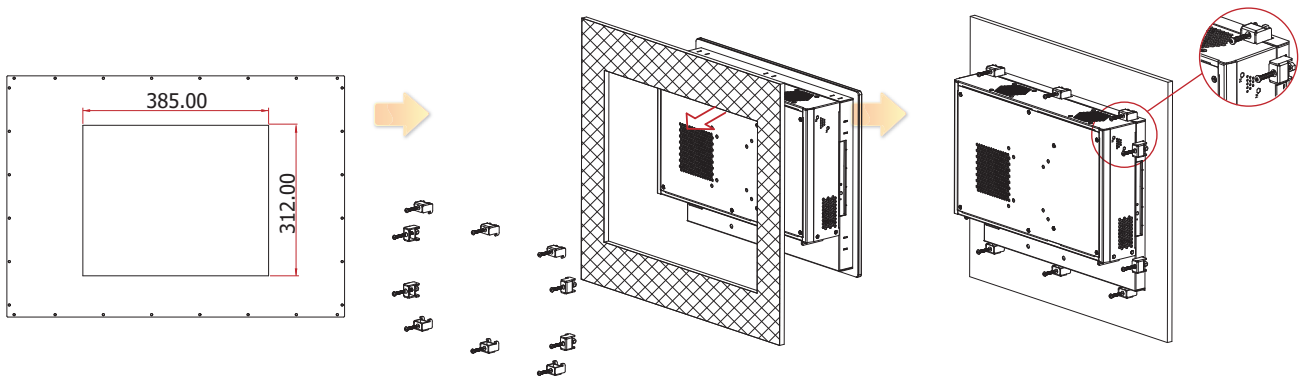


► Specifications

<b>SYSTEM</b>	<b>Processor</b>	7th Generation Intel® Core™ Processors, LGA 1151 Socket Intel® Core™ i7-7700 Processor, Quad Core, 8M Cache, 3.6GHz (4.2GHz), 65W Intel® Core™ i5-7500 Processor, Quad Core, 6M Cache, 3.4GHz (3.8GHz), 65W Intel® Core™ i3-7101E Processor, Dual Core, 3M Cache, 3.9GHz, 65W 6th Generation Intel® Core™ Processors, LGA 1151 Socket Intel® Core™ i7-6700, Quad Core, 8M Cache, 3.4GHz (4.0GHz), 65W Intel® Core™ i5-6500, Quad Core, 6M Cache, 3.2GHz (3.6GHz), 65W Intel® Pentium® G4400, Dual Core, 3M Cache, 3.3GHz, 47W Intel® Celeron® Processor G3900, Dual Core, 2M Cache, 2.8GHz, 65W
	<b>Memory</b>	Two 260-pin SODIMM up to 32GB Dual Channel DDR4 1866/2133MHz
<b>DISPLAY AND TOUCH SCREEN</b>	<b>Display</b>	15" 1024x768 TFT LCD Panel with Projected Capacitive Touch and Resistive Touch Screen
	<b>Brightness</b>	300 cd/m <sup>2</sup>
	<b>View Angle</b>	176 (H) / 176 (V)
	<b>Backlight Lifetime</b>	70,000 MTBF LED Backlight
<b>STORAGE</b>		2 x 2.5" SATA 2.0 Drive Bay
<b>EXPANSION</b>	<b>Interface</b>	1 x Full-size mSATA (PCIe/USB) 2 x PCIe x8 or 2 x PCI + 1 x Mini PCIe
<b>ETHERNET</b>	<b>Controller</b>	1 x Intel® I211AT PCIe (10/100/1000Mbps) 1 x Intel® I219V PCIe (10/100/1000Mbps)
<b>Rear I/O</b>	<b>Ethernet</b>	2 x GbE (RJ-45)
	<b>Serial</b>	1 x RS-232 (DB-9) 1 x RS-232 (DB-9) (available upon request) 1 x RS-232/422/485 (available upon request)
	<b>USB</b>	4 x USB 3.0 2 x USB 2.0
	<b>PS/2</b>	1 x PS/2 (mini-DIN-6)
	<b>Display</b>	1 x VGA 1 x DVI-I (DVI-D signal) 1 x DP++
	<b>Audio</b>	1 x Line-out (available upon request)
<b>Front I/O</b>	<b>USB</b>	1 x USB 2.0
<b>POWER</b>	<b>Type</b>	24V AC
	<b>Connector</b>	C14 Connector
	<b>Consumption</b>	TBD
<b>OS SUPPORT</b>		Windows 7 (/WES7) 32/64-bit Windows 10 IoT Enterprise 64-bit Linux
<b>MECHANISM</b>	<b>Construction</b>	Sheet Metal
	<b>IP Rating</b>	IP65 front bezel
	<b>Mounting</b>	Panel/VESA (75x75/100x100) Mount
	<b>Dimensions (W x H x D)</b>	403 x 330 x 103.5 mm
	<b>Weight</b>	TBD
<b>ENVIRONMENT</b>	<b>Operating Temperature</b>	0 to 50°C
	<b>Storage Temperature</b>	-30 to 70°C
	<b>Relative Humidity</b>	10% to 90% @ 40°C (non-condensing)
<b>STANDARDS AND CERTIFICATIONS</b>	<b>Certifications</b>	CE, FCC Class A

**▶ VESA Mounting****▶ Panel Mounting**

Suggested cut out size  
(The flat panel thickness is less than 10mm)



► **Ordering Information**

Model Name	Part Number	Description
<b>TPC150R-SDAC-2PCI</b>	750-TPC151-000G	15" Panel PC ; SD100, Q170 chipset, AC input, 5-wire Resistive Touch, 2 x PCI, F/G SYSTEM, RoHs
<b>TPC150P-SDAC-2PCI</b>	750-TPC151-100G	15" Panel PC ; SD100, Q170 chipset, AC input, capacitive touch, 2 x PCI, F/G SYSTEM, RoHs
<b>TPC150R-SDAC-2PCIE</b>	750-TPC151-200G	15" Panel PC ; SD100, Q170 chipset, AC input, 5-wire Resistive Touch, 2 x PCIe x8, F/G SYSTEM, RoHs
<b>TPC150P-SDAC-2PCIE</b>	750-TPC151-300G	15" Panel PC ; SD100, Q170 chipset, AC input, capacitive touch, 2 x PCIe x8, F/G SYSTEM, RoHs

► **Optional Items**

Optional Items	Part Number	Description
<b>HDD</b>	785-H25500G	2.5" SATA HDD, 500GB, RoHS
	785-H25320G	2.5" SATA HDD, 320GB, RoHS
<b>Wi-Fi</b>	761-110091-000G	Wi-Fi kit, RoHS
<b>Power Cord</b>	785-PWRD	Power cord, Standards (USA/EUR/CH), 1.8m, RoHS
<b>Wall Mount</b>	785-PPCWMK	Standard Panel PC Wall Mount kit
<b>Panel Mount</b>	761-TPC120-000G	15" Panel PC Panel Mount kit

► **Packing List**

• 1 TPC150-SD Touch Panel PC
• 1 Quick Installation Guide
• 1 CD disk includes:
- Drivers / Manual