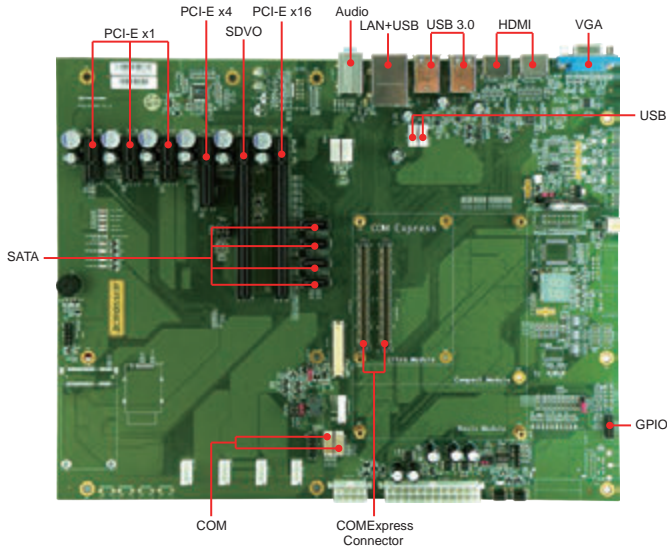


# ACM-B4080

ATX Carrier Board COM Express Basic Type 6 Module



## Features

- Compatible with Acrosser COM Express Type 6 Module
- 1 x VGA, 2 x HDMI, 4 x SATA, 8 x USB
- 1 x PCI-E x16 slot, 1 x PCI-E x4 slot, 3 x PCI-E x1 slots
- ATX form factor to meet most standard mounting space



## Specification

### System

COM Express Module	Acrosser COM Express Type 6 Modules Supports Basic, Compact and COM-Ultra Modules
--------------------	--

### Video

Video Interface	<ul style="list-style-type: none"> <li>• 1 x VGA (DB15)</li> <li>• 1 x Dual Channel LVDS Connector</li> <li>• 2 x HDMI connectors</li> <li>• 1 x SDVO/HDMI/DVI/Display Port</li> </ul>
-----------------	--

### Storage

SATA	<ul style="list-style-type: none"> <li>• 2 x SATA III with 6Gb/s</li> <li>• 2 x SATA II with 3Gb/s</li> </ul>
------	---

### I/O

Ethernet	1 x RJ45 from Module
Expansion Interface	<ul style="list-style-type: none"> <li>• 1 x PCI-E x16 slot</li> <li>• 1 x PCI-E x4 slot</li> <li>• 3 x PCI-E x1</li> </ul>
Serial Interface	2 x COM port Interface (TX/RX only)
USB	<ul style="list-style-type: none"> <li>• 4 x USB 3.0 (Rear),</li> <li>• 4 x USB 2.0 (2 x Rear, 2 x Pin Header)</li> </ul>
GPIO	8-bit Digital I/O, 4-bit DI and 4-bit DO
Audio	Realtek ALC662 High Definition Audio Codec MIC-in/Line-in/Line-out
Others	<ul style="list-style-type: none"> <li>• 1 x SPI Header, 1 x I2C Header, 1 x SMBus Header</li> <li>• Port 80 Display via LPC, 2 x Fan Headers</li> </ul>

### Power Requirement

Power Input	<ul style="list-style-type: none"> <li>• 1 x 24-pin ATX Power Connector</li> <li>• 1 x 8-pin ATX 12V Power Connector</li> </ul>
Power Consumption	TBD

### Mechanical & Environment

Dimension	305 mm x 244 mm (12" x 9.6"), ATX Form-Factor
Weight	TBD
Operating Temp.	0~60°C (32~140°F)
Storage Temp.	-20~80°C (-4~176°F)
Relative Humidity	0 to 90% , non-condensing
Safety	CE, FCC compliant

### Packing List

- 1 x ACM-B4080
- 1 x User Manual
- 1 x Quick Guide
- 1 x USB Cable
- 2 x COM port cables (RX/TX only)
- 1 x SATA Cable

### Ordering Information

ACM-B4080	ATX Form-factor Carrier Board for COM Express Basic
-----------	--

### Dimension

