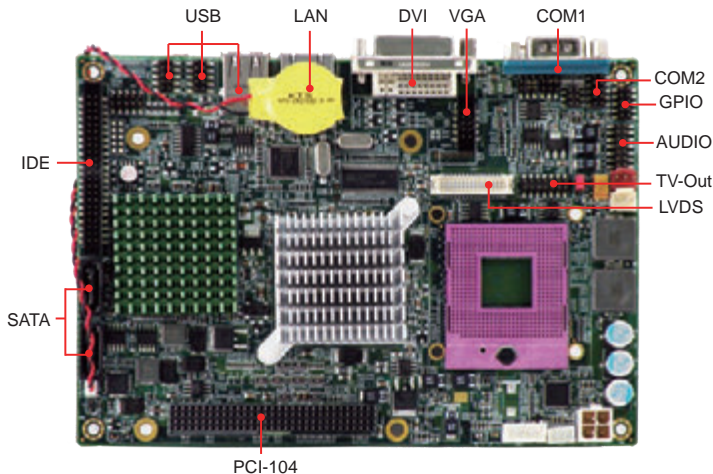


AR-B5631

EPIC Intel uFC-PGA 478 SBC Supporting



Features

- Medical Solution
- Support Intel Core 2 Duo/Core Duo/Celeron M
- VGA/DVI/LVDS/TV-Out
- 1 x GbE, 2 x COM, 6 x USB 2.0, SATA, CF
- PCI-104 Expansion
- CE / FCC class B
- EN60601



EN60601

Specification

System

CPU	Socket P support Intel Core 2 Duo / Core Duo / Celeron M
Chipset	Intel GME965 + ICH8M
Front Side Bus	533/800MHz
Memory	1 x 200-pin SO-DIMM socket support DDR2-533/667 SDRAM up to 2GB
BIOS	Phoenix
Hardware Monitoring	<ul style="list-style-type: none"> • CPU voltage and temperature • Fan speed
WatchDog Timer	Software programmable 1~255 sec. (+/- 5%)

Video

Graphic Controller	Intel GME965 integrated GMA X3100 graphic controller
Video Memory	Maximum 384MB shared
Video Interface	<ul style="list-style-type: none"> • 1 x VGA (Pin header) • 1 x DVI-D • 1 x Dual Channel 24-bit LVDS (Pin header) • 1 x TV-Out (Pin header) • 1 x S-Video (Pin header) • 1 x Component Video cable

Storage

IDE	1 x E-IDE (44-pin)
SATA	2 x SATA II port
CF	1 x Compact Flash Type I/II slot

I/O

Ethernet	1 x GbE RJ45 with LED, Intel 82574L
Expansion Slot	1 x PCI-104 slot
Serial Port	1 x RS-232, 1 x RS-232/422/485 (1 x DB9, 1 x pin header)
USB	6 x USB 2.0 (2 x external port, 4 x pin header)
GPIO	8-bit Digital I/O
Audio	Realtek ALC662 Audio Codec

Power Requirement

Power Input	12V (+/-5%) single voltage input
Power Consumption	54.0W, 4.5A@12V

Software

OS Support	Windows XP/XP Embedded/CE 5.0 & 6.0, Linux Fedora 8.0
------------	---

Mechanical & Environment

Dimension	165mm x 115mm (6.50" x 4.53")
Operating Temp.	0~60°C (32~140°F)
Storage Temp.	-20~80°C (-4~176°F)
Relative Humidity	0 to 90% @ 40°C non-condensing
Safety	CE, FCC compliant, EN60601

Packing List

- 1 x AR-B5631
- 1 x Driver CD
- 1 x User manual
- 1 x Cooler

Ordering Information

AR-B5631	1 x AR-B5631
Accessory	ACC-5631: <ul style="list-style-type: none"> • 1 x Power cable (ATX to AT) • 1 x USB cable • 1 x COM cable (10-pin) • 2 x SATA cable • 1 x VGA cable • 1 x TV-Out BNC output cable • 1 x S-Video output cable • 1 x Component Video cable

Dimension

