

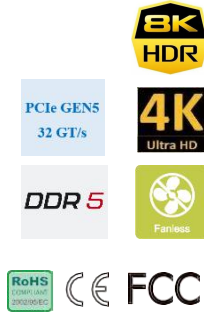
KMDA-7610-S001

Intel® 12th Gen Alder Lake-S LGA1700 CPU, 2*LAN, 4*USB3.2, 1*VGA, 1*DP, 1*HDMI, 4*COM, 16bit DIO, 1*mSATA, 1*Mini PCIe, 2*SATA3.0, DC 9-36V.

JHCTECH

IoT Computer
Connecting the Dots

Fanless Computer--KMDA Series



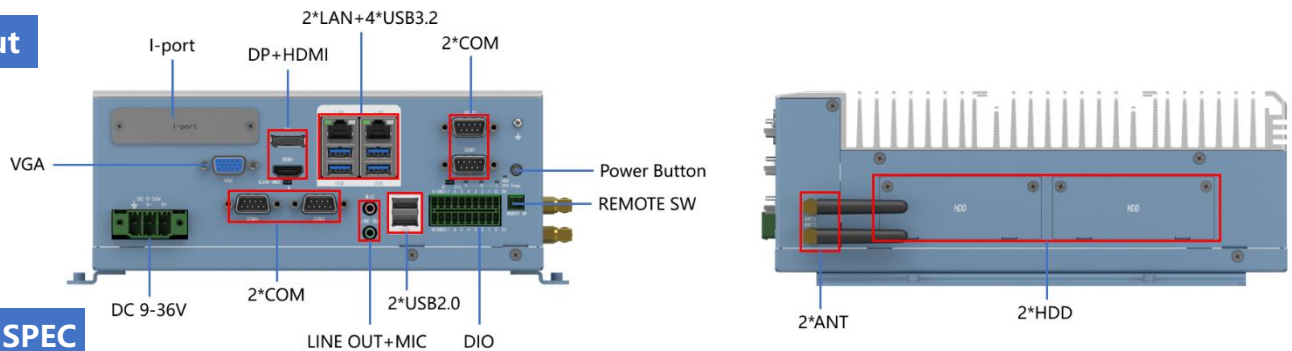
Key Features

- Intel® 12th Gen Alder lake-S LGA1700 CPU
- Intel® H610 Chipset
- 2*DDR5 4800MHz SODIMM, up to 64GB
- 1*DP, 1*HDMI and 1*VGA, 3 independent displays
- 2*LAN, 4*USB3.2, 2*USB2.0, 16bit Iso. DIO
- Audio 1*MIC+1*LINE OUT
- 2*RS232/422/485 and 2*RS232 COM
- 1*Mini-PCIe full size with SIM card slot, support 4G LTE modem
- 2*2.5" Easy-plug SATA3.0 bay and 1*mSATA
- DC IN 9-36V, wide power input, with OVP,OCP and SCP

Product Overview

KMDA-7610 is a fanless high-performance box computer with H610 chipset, powered by Intel® 12th Gen Alder lake-S CPU, multi IO interfaces and moderate size. It is suitable for industrial automation, highway tolling, security monitoring and environmental detection and other industries and fields.

IO Layout

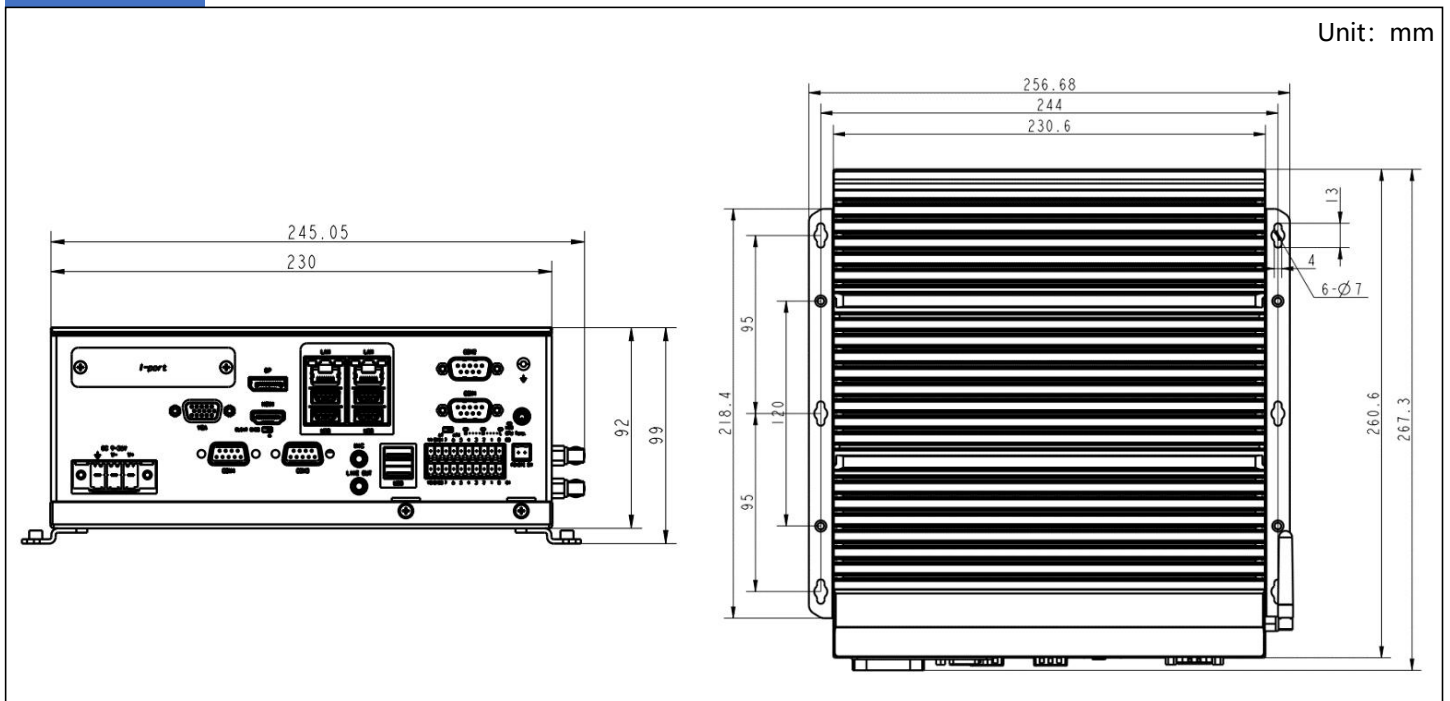


Product SPEC

CPU+PCH	Intel® Alder lake-S 12th Gen Core™ i9/i7/i5/i3/Pentium/Celeron LGA1700 CPU, Intel® H610 PCH
System memory	2*262-Pin SODIMM, dual-channel DDR5 4800MHz, up to 64GB
Expansion	1*full size Mini-PCIe(PCIeX1+USB2.0 signal) with SIM card slot, support 4G LTE modem or PCIe signal function module
Graphics	Intel® UHD Graphics, Supports DirectX 12, OpenGL 4.5, OpenCL 3.0, DP max res. 7680*4320@60Hz, HDMI max res. 4096*2160@60Hz, VGA max res. 1920*1200@60Hz, support 3 independent displays
Audio	Realtek ALC897 controller, 1*Line out and 1*MIC high fidelity Audio, supports 5.1 channel
LAN	1*Intel I226V Gigabit Ethernet, full PCIe X1 bandwidth, 10M/100M/1000Mbps, support WOL 1*Intel I219LM Gigabit Ethernet, full PCIe X1 bandwidth, 10M/100M/1000Mbps, support WOL
Storage	2*2.5" easy-plug SATA bay, larger capacity thickness15mm HDD, with SATA3.0 signal max 6Gbps; 1*full size mSATA, with SATA3.0 signal, max 6Gbps
I/O Interface	2*RJ45 Gig-LAN; 2*USB3.2(gen2.0 10Gbps, Type A); 2*USB3.2 (gen1.0 5Gbps, Type A) ; 2*USB2.0 Type A, 2*USB2.0 (pin header inside); 2*RS232/422/485 (via BIOS , DB9 male), 2*RS232(DB9 male); 16bit Iso. DIO(2*10pin term. block) and 16bit non-iso. DIO(2*10pin header inside); 1*VGA+1*HDMI+1*DP; 1*Line out+1*Mic (3.5mm phone jack); 1*SM Bus and 1*F-Audio(pin header inside)
I-port	Support 16bit DIO pin header lead wire , USB2.0 or Mini PCIe and other expansion interfaces lead wire
DIO	16bit Iso. DIO support NPN (sink) and PNP (Source) mode, and 8-bit DI each channel is equipped with a 2.5KV photocouper for isolated protection; 8-bit DO each DO with isolator chip, each DO chanel current up to 200mA
LED	1*Power LED (on the power button), 1*HDD LED, 3*CPU temp LED (Red is warning , Yellow is high, Green is normal)
Control SW	1*Power SW, 1*Remote SW, 1*AT/ATX dip, 1*Clear CMOS dip
Power supply	DC IN 9-36V, 3-pin Term. block 7.62mm, with short circuit(SCP), over voltage(OVP) and over current(OCP) protection; TDP : TBD
Security	Support TPM2.0 (optional)
Watchdog timer	Watchdog timeout programmable via software 1 to 255 second
OS	Windows 11, Windows 10 IoT Enterprise 2021 LTSC, Ubuntu, SuSe, Red Hat Enterprise, Wind River Linux, Wind River VxWorks 7

Structure	Aluminium-magnesium alloy chassis and fanless cooling design, SGCC frame
Color	Pigeon blue + White aluminum grey
Mounting	Desktop Mounting
Dimension	(L*W*H): 256.68*267.3*99mm
Net weight	TBD
Operating temperature	-20 ~ 60°C, SSD, air flow -10 ~ 55°C, HDD, air flow
Storage temperature	-40°C~85°C
Storage humidity	10~95%@40°C, Non-condensing
Vibration	5grms/5~500Hz/random/in working(SSD); 1grms/5~500Hz/random/in working(HDD)
Shock	50g peak acceleration(11ms duration)(SSD); 20g peak acceleration(11ms duration)(HDD)
EMC/ Certification	CE/FCC Class A

Dimension



Ordering Info.

Model No.	Introduction
KMDA-7610-S001	Fanless box computer, Intel® 12 th Gen Alderlake-S LGA1700 CPU, H610 PCH, 2*DDR5 SODIMM, 2*LAN, 4*USB3.2, 2*USB2.0, 4*COM, 1*VGA, 1*DP, 1*HDMI, Line out & Mic, 16bit Iso. DIO, 1*I-Port, 2*2.5" SATA bay, 1*mSATA, 1*Mini PCIe, DC 9-36V.
PA-120DC19	AC/DC power adapter, DC 19V/6.32A,120W