

# POC-W242

## 24" Widescreen Point-of-Care Terminal with IPS TFT Display



### Features

- Runs on an Intel® Core™ i7 4th generation or Celeron® J1900 Quad-Core processor with a fanless, high performance profile
- 24" full HD resolution, IPS LCD with edge to edge, bezel-less design
- USB 3.0 and PCIe4 expansion slot and mini PCIe slot x 2
- Offers a multi-touch option to deliver a truly unmatched touchscreen experience
- IP54 enclosure to protect against dust and water splashing for ease of cleaning
- Isolated design provides unique electric leakage protection for COM ports, and LAN ports, and optional USB port
- Optional Bluetooth, RFID, inner WLAN module, Li-ion battery pack, and auto-focus 5M pixel camera and DICOM preset

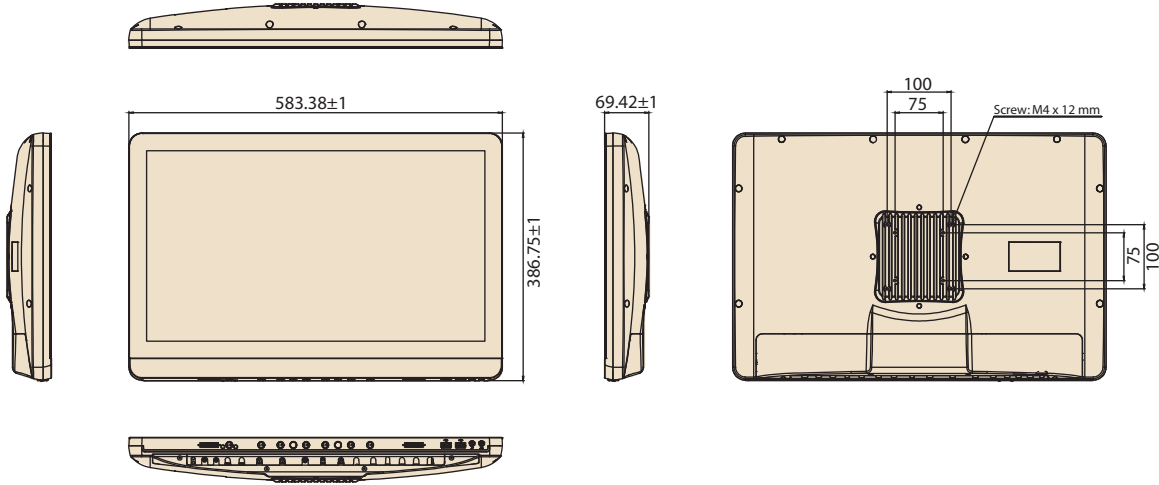


### Specifications

Computing System	CPU	Intel® Core i7 4650U, 1.7 GHz (up to 3.30 GHz) Processor Intel® Core i5 4300U, 1.9 GHz (up to 2.90 GHz) Processor	Intel® Celeron® J1900 Quad Core 2.0 GHz
	Memory	Up to 16GB DDR3L 1600/1333MHz SDRAM	2 x DDR3L 204-pin DIMM and Max. Capacity 8GB (up to 4GB per each SODIMM; same capacity for each DIMM)
	Graphics Controller	Intel HD Graphics 5000/4400	Intel HD Graphics
	Operating System	Windows 7, WIN 8 Embedded Standard, Windows 8 industry Pro, Windows 10	
Display	Display Size	23.8" wide TFT color LCD (16:9)	
	Type	IPS	
	Max. Resolution	1920 x 1080	
	Max. Colors	16.7 M colors (6-bits+A-FRC)	
	Pixel Pitch (um)	247.5 x 247.5	
	Viewing Angle	178/178°	
	Luminance	250 cd/m²	
	Backlight	LED	
	LCD MTBF	30,000 Hours	
Expansion Slot	Mini PCIe (mSATA)	2 (Mini PCIe: 1 full-size, 1 half-size)	
	PCIe	1x PCIe (x4) slot	
I/O Ports	Serial Ports	1 x RS-232/422/485 (isolated) and 2 x RS-232 serial isolated port; 1 x RS-232 serial port (Reserved)	
	USB Ports	2 x USB 3.0 ports (rear) 2 x USB 2.0 ports (front) 2 x USB 2.0 ports (rear)	
	VGA/DVI Port	1 x VGA	
	Audio	2 x 1 W speakers; 1 x MIC-in and speaker-out	
	LAN	2 x Gigabit Ethernet (isolated) interfaces (RJ-45)	
	HDMI	1 x HDMI	
Storage	HDD/SDD	1 x 2.5" SATA Or 1 x 2.5" SSD	
Power Supply	DC Model	AC/DC adapter (Sinpro Model no.HPU101-107)	
	Input Voltage	90 ~ 260 V <sub>AC</sub> , 1.35 ~ 0.5 A, 47 ~ 63 Hz	
	Output Voltage	+18 V <sub>DC</sub> , 5.55 A max. (100 watts)	
Optional Functions	Battery	3S2P 4200mAh, supports 0.5 hr backup operation	
	Smart Card Reader (Front)	Complies with ISO7816-1,2,3,T=1 and T=0 protocol	
	WLAN	Integrated wireless 802.11 a/b/g/n connection & internal antenna	
	RFID	13.56 MHz with ISO-15693 & ISO-14443A/B certifications and active tag function	
	Bluetooth	Bluetooth v4.0	
Optional Touchscreen	Type	Analog Resistive (AG)	Projected Capacitive 10-points (AR)
	Resolution	Continuous	Continuous
	Light Transmission	80%	90%
	Controller	USB interface	USB interface
	Durability	36 million touches	>100 million touches
IP Rating	Front Panel	IP65	
	Entire System	IP-54, Alcohol resistance for cleaning purposes	
Certifications	CE,FCC Class B approval, UL60601-1,EN60601-1 approved, RoHS, CCC; UL2054, UN38.3 for battery cell		
Environment	Temperature	Operating: 0° C ~ +40° C, Storage: -20° C ~ +60° C	
	Humidity	Operating: 10% ~ 95% @ 40° C non-condensing	
	Shock Resistance	20G peak acceleration (11ms duration)	
Physical Characteristics	Dimensions (W x D x H)	583 x 386 x 69 mm (22.95" x 15.19" x 2.71")	
	Weight (Bare system)	7.95 kg (17.52 lb.)	

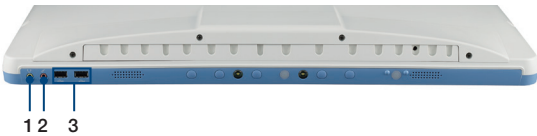
## Dimensions

Unit: mm



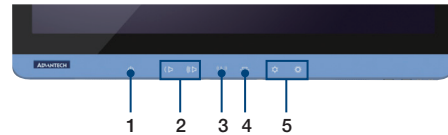
## I/O Ports

### Front



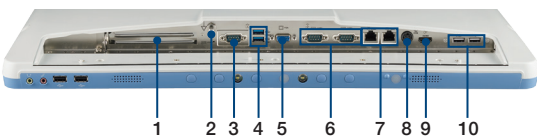
- (1) Speaker Out
- (2) MIC-in
- (3) 2 USB 2.0

## Front Function Keys



- (1) Power
- (2) Volume Down/Up
- (3) Touchscreen Status Control
- (4) Read Light Control
- (5) Brightness Decrease/Increase

### Rear



- (1) PCIe (x4) card slot
- (2) Equipotential Terminal Pin
- (3) 1 x RS-232/422/485 (isolated) serial port
- (4) 2 x USB 3.0 ports
- (5) VGA port
- (6) 2 x RS-232 (isolated)
- (7) 2 x Gigabit Ethernet interfaces (RJ-45)
- (8) Power DC-IN
- (9) HDMI out port
- (10) 2 x USB port

## Ordering Information

Part Number	Description	HDD	RAM
POC-W242-A21D-ACE	POC-W242 IP54 w/Corei7 3.3G/ 6 USB	-	4G
POC-W242-B21D-ACE	POC-W242 IP54 w/Corei5 2.9G/ 6 USB	-	4G
POC-W242-C11D-ACE	POC-W242C with J1900/IP54/6 USB	-	4G

## Accessories

Part Number	Description
PDC-W215-STAND-H3E	PDC-W215 STAND_H3-741L type_6~12kg Black
1702002600	Power Cable (USA) 1.8 M
1702002605	Power Cable (Europe) 1.8 M
1700018704	Power Cord (UK) 1.8 M

## Optional Modules

Part Number	Description
POC-W21X-BTTE	Battery module (4200mAh Li-ion battery) for Intel Core i-Series
POC-W242-BTOE	Bluetooth module
POC-W242-WFOE	Wireless module (802.11a/b/g/n)
DMS-IR06-00A1E	DMS-IR06 Medical LAN Card Dual Port
POC-W24X-BW0E	Wireless module (802.11a/b/g/n) with Bluetooth 4.0

For information about Smart Card module, DICOM, 5M pixel camera, contact Advantech Sales team

# Mouser Electronics

Authorized Distributor

Click to View Pricing, Inventory, Delivery & Lifecycle Information:

[Advantech:](#)

[POC-W242-B11D-ACE](#) [POC-W242-B21D-ACE](#) [POC-W242-A21D-ACE](#)