

## 10.1" Rugged Tablet Computer Docking



### Features

- Front with USB 2.0 x 2
- Rear with USB 2.0 x 2, Ethernet x 1, COM x 1, DC-in x 1
- Front with USB 2.0 x 2
- Only Supports RTC-900B

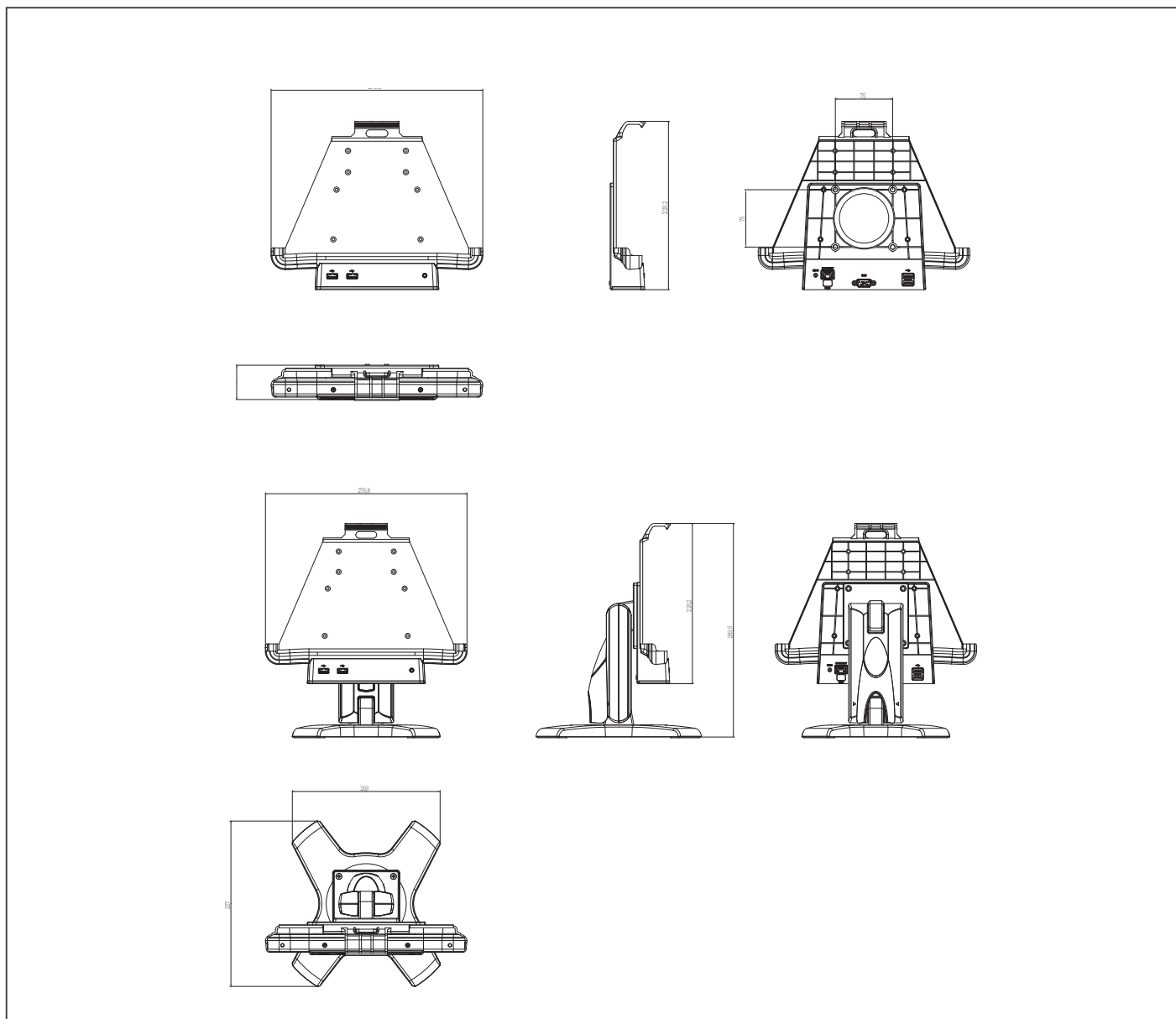


### Specifications

System	Docking Station for RTC-900B
I/O	USB 2.0 x 4, RJ-45 jack for 10/100Base-TX Ethernet x 1, RS-232 x 1
DC Input	DC in 12V
LED Indicator	Yellow: DC in w/o Tablet, Blue: DC in w/ Tablet Ethernet status: Green LED indicates connection status
Mechanical	
Color	Black
Construction	PC
Dimensions (W x H x D)	10.9" x 11.56" x 8.94" (276.8mm x 293.5mm x 227mm)
Gross Weight	4.2 lb (1.91 kg)
Environmental	
Operating Temperature	32°F ~ 104°F (0°C ~ 40°C)
Storage Temperature	14°F ~ 122°F (-10°C ~ 50°C)
ESD	Air +/- 8KV, Contact +/- 4KV
EMC/ Safety	CE/FCC Class B/UL
Power Supply	
AC/DC Adapter	AC Power input: 100V-240V, 50Hz-60Hz, 36W DC Power output: 12V, 4A
DC/DC Adapter	—

## Dimension

Unit: mm



## Packing List

- 1255300480  
Power Adapter

## Ordering Information

- **RDS-0310-0004**  
Docking Station. w/o Stand. COM x 1. USB x 4. LAN x 1. For RTC-900B
- **RDS-0310-0003**  
Docking Station. with Stand. COM x 1. USB x 4. LAN x 1. For RTC-900B

## Optional Accessories

- **Power Cord**
- **1702031802**  
POWER CORD.3P-125V 10A 180D.1.8M.USA.FANJET. YP12/YC-12
- **1702031803**  
POWER CORD.3P-250V 10A 180D.1.8M.VDE
- **170203180B**  
POWER CORD. 3P(M). 3P(F). 1.8m. 250V 10A 180D. CHINA. FAN-JET. YP-03/YC-12
- **RTC-900B-WBGH-1410**  
RTC, Atom™ 1.33 GHz, 10.1" LCD, DC 12V, 4GB RAM, 32 GB, SSD, WEPS 8.1, WiFi/ BT/ GPS/ 3G/ Docking