

Apacer

The Most **Reliable**
Storage For Industries



EH353-M



EH353-M

Overview

Considering variety of industrial applications and needs, Apacer offers the high performance USB drive , EH353-M , compatible with the latest USB specification – USB3.0 Super Speed, with a maximum transfer rate of 5.0Gbps with MLC nand flash. The connector is backward employable with USB2.0 and USB1.1 interfaces as well. Furthermore, as a industrial solution provider, with the advantage of Fixed B.O.M., Apacer highlights that the firmware and major components of all the products can be fixed upon customers' recognition and verification. This reduces the risk of out-of-stock and compatibility issues, ensuring high durability and reliability for customers.



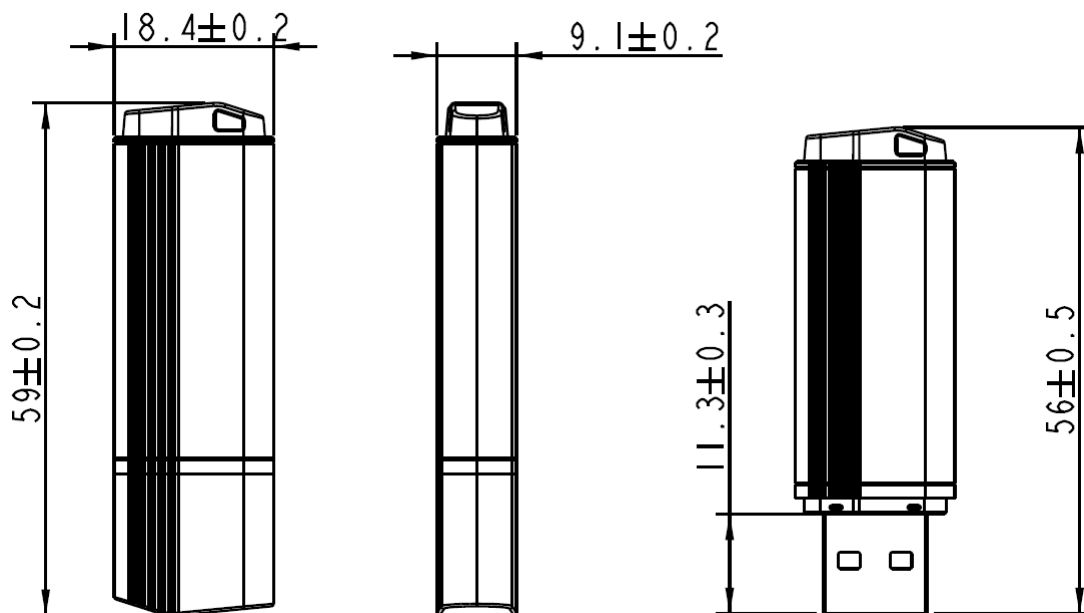
Feature

- USB 3.0 high-speed transmission
- Support S.M.A.R.T Function
- Power Failure Management
- Advanced wear-leveling algorithms
- ECC engine
- Power Saving implemented
- Optional Industrial temp. range -40°C to 85°C

Specifications

Model	EH353-M
Interface	USB 3.0
Connector	USB3.0 A Type Plug
Form Factor	USB flash drive
Operation Mode	NULL
Transfer Mode	NULL
NAND Flash Type	MLC
Capacity	8GB~128GB
Sustained Read Performance (MB/sec)	Up to 205
Sustained Write Performance (MB/sec)	Up to 95
ECC Engine	Built-in 39-bit per 1K bytes BCH ECC
Standard Operating Temperature (°C)	0 ~ + 70
Extended Operating Temperature (°C)	-40 ~ + 85
Storage Temperature (°C)	-40 ~ + 100
Shock	Operation: 50G, 11ms Non-operation: 1500G, 0.5ms
Vibration	Operation: 7.69 Grms, 20~2000 Hz/random (comply with MIL-STD-810G) Non-operation: 4.02(Grms), 15~2000(Hz)/random (comply with MIL-STD-810G)
Operating Voltage	5.0 V ± 5%
Power Consumption	Active mode: 275 mA & Idle mode: 80 mA
Dimension (L x W x H)	59 x 18.4 x 9.1
MTBF (hours)	>1,000,000

Mechanical Specification



Unit: mm

For more information, contact your Apacer representative

Global Presence

Taiwan (Headquarters)
Apacer Technology Inc.
Tel: +886-2-2267-8000
Fax: +886-2-2267-2261

Europe
Apacer Technology B.V.
Tel: +31-40-267-0000
Fax: +31-40-290-0686

U.S.A.
Apacer Memory America, Inc.
Tel: +1-408-518-8699
Fax: 1-510-249-9551

China
Apacer Electronic(Shanghai)
Co., Ltd.
Tel: +86-21-6228-9939

Japan
Apacer Technology Corp.
Tel: +81-3-5419-2668
Fax: +81-3-5419-0018

India
Apacer Technologies Pvt. Ltd.
Tel: +91-80-41529061~3
Fax: +91-80-41700215