

The Most **Reliable**
Storage For Industries

Industrial CF6A-SL



Industrial CF6A-SL

Overview

Apacer industrial CF6A-SL card is compliant with the CFA 6.0 specifications. Apacer adopts the standard 50-pin connector and MLC chip for lower cost. Moreover, CF6A-SL with Apacer's SLC-lite technology that strikes a cost-performance balance between MLC and SLC flash types and it is an ideal alternative solution for mission-critical embedded or industrial applications with the special firmware to simulate the performance and durability of industrial grade flash SLC, which P/E cycle is enhanced up to 20,000 times, but lower cost. It is available in capacities from 4GB to 32GB. The data transfer mode is up to PIO Mode 6 , Multiword DMA Mode 4 ,Ultra DMA Mode 7 , PCMCIA UDMA Mode 7, with the sequential read/write speed reaching as fast as 115/80 MB/sec. To help data stay correct, this CF6A-SL memory card also supports 72-bit ECC function, wear-leveling function and S.M.A.R.T. (Self-Monitoring, Analysis, and Reporting Technology), thereby substantially enhancing product reliability..



*The actual available memory on the device is less than what is listed on the package. This is due to small discrepancies in file formats and algorithms used by various operating systems. In addition, a portion of memory space is reserved for system files and data sectors for better performance.

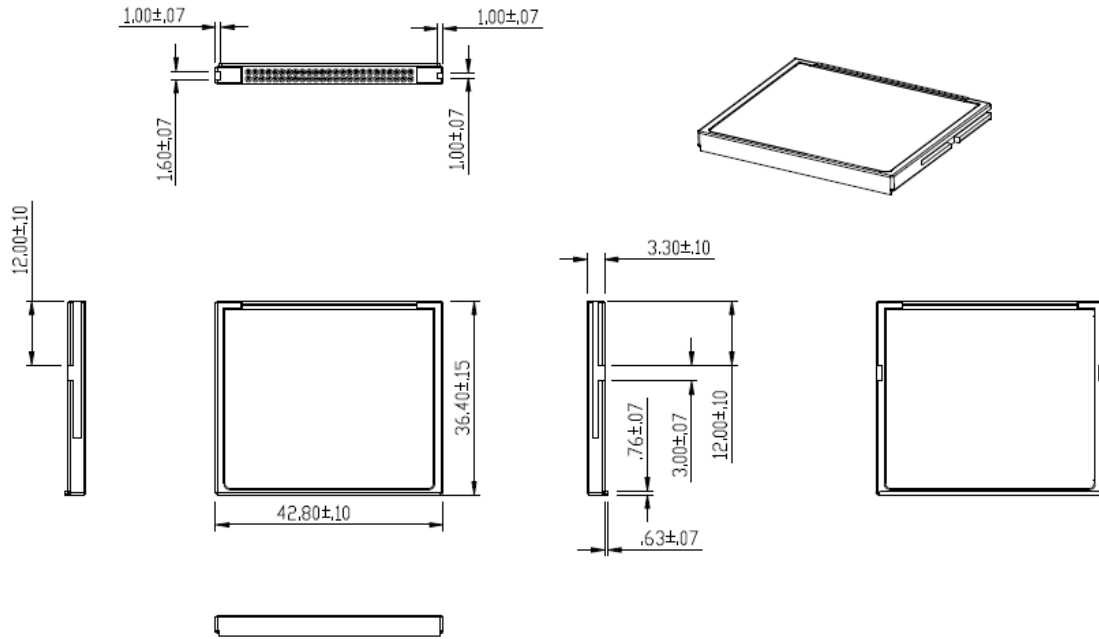
Feature

- Compliant with CFA 6.0 specifications
- Built-in ATA Secure Erase and S.M.A.R.T. Functions
- Advanced wear-leveling and Block Management
- Power Failure Management
- Write protect
- Wide Temp.

Specifications

Model	Industrial CF6A-SL
Interface	PC Card Memory Mode; PC Card I/O Mode; True IDE Mode
Connector	50-pin
Form Factor	CompactFlash Type I
Transfer Mode	PIO Mode 6 , Multiword DMA Mode 4 , Ultra DMA Mode 7, PCMCIA UDMA Mode 7
NAND Flash Type	MLC
Capacity	4GB~32GB
Sustained Read Performance (MB/sec)	Up to 115
Sustained Write Performance (MB/sec)	Up to 80
ECC Engine	Built-in 72-bit per 1K bytes BCH ECC
Standard Operating Temperature (°C)	0 ~ + 70
Extended Operating Temperature (°C)	-40 ~ + 85
Storage Temperature (°C)	-40 ~ + 100
H/W Write Protect	Yes
Shock	Operation: 50G, 11ms Non-operation: 1500G, 0.5ms
Vibration	Operation: 7.69 Grms, 20~2000 Hz/random (compliant with MIL-STD-810G) Non-operation: 4.02 Grms, 15 ~ 2000 Hz/sine
Operating Voltage	3.3 V / 5.0 V ± 5%
Power Consumption	Operating Voltage: 3.3V Active mode: 235 mA / Standby mode: 10 mA Operating Voltage: 5.0V Active mode: 245 mA / – Standby mode: 10 mA
Dimension (L x W x H)	36.4mm x 42.8mm x 3.3mm
MTBF (hours)	>1,000,000

Mechanical Specification



Unit: mm

For more information,
contact your Apacer representative

Global Presence

Taiwan (Headquarters)
Apacer Technology Inc.
Tel: +886-2-2267-8000
Fax: +886-2-2267-2261

Europe
Apacer Technology B.V.
Tel: +31-40-267-0000
Fax: +31-40-290-0686

U.S.A.
Apacer Memory America, Inc.
Tel: +1-408-518-8699
Fax: 1-510-249-9551

China
Apacer Electronic(Shanghai)
Co., Ltd.
Tel: +86-21-6228-9939

Japan
Apacer Technology Corp.
Tel: +81-3-5419-2668
Fax: +81-3-5419-0018

India
Apacer Technologies Pvt. Ltd.
Tel: +91-80-41529061~3
Fax: +91-80-41700215