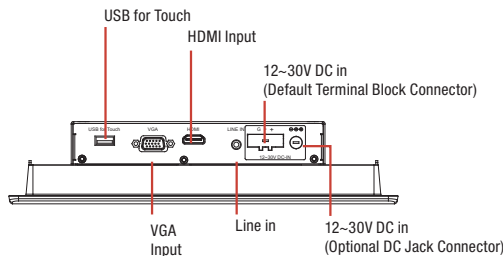


10.4" Touch Display Monitor, DC 12~30V



Features

- 10.4" SVGA (800 x 600) TFT LCD Display
- Provide Projective Capacitive Touch or Resistive Touch Screen
- IP65 Aluminum Front Bezel
- DC 12~30V with Over Voltage/Current, Under Voltage Protection
- Optional Built-in Speakers

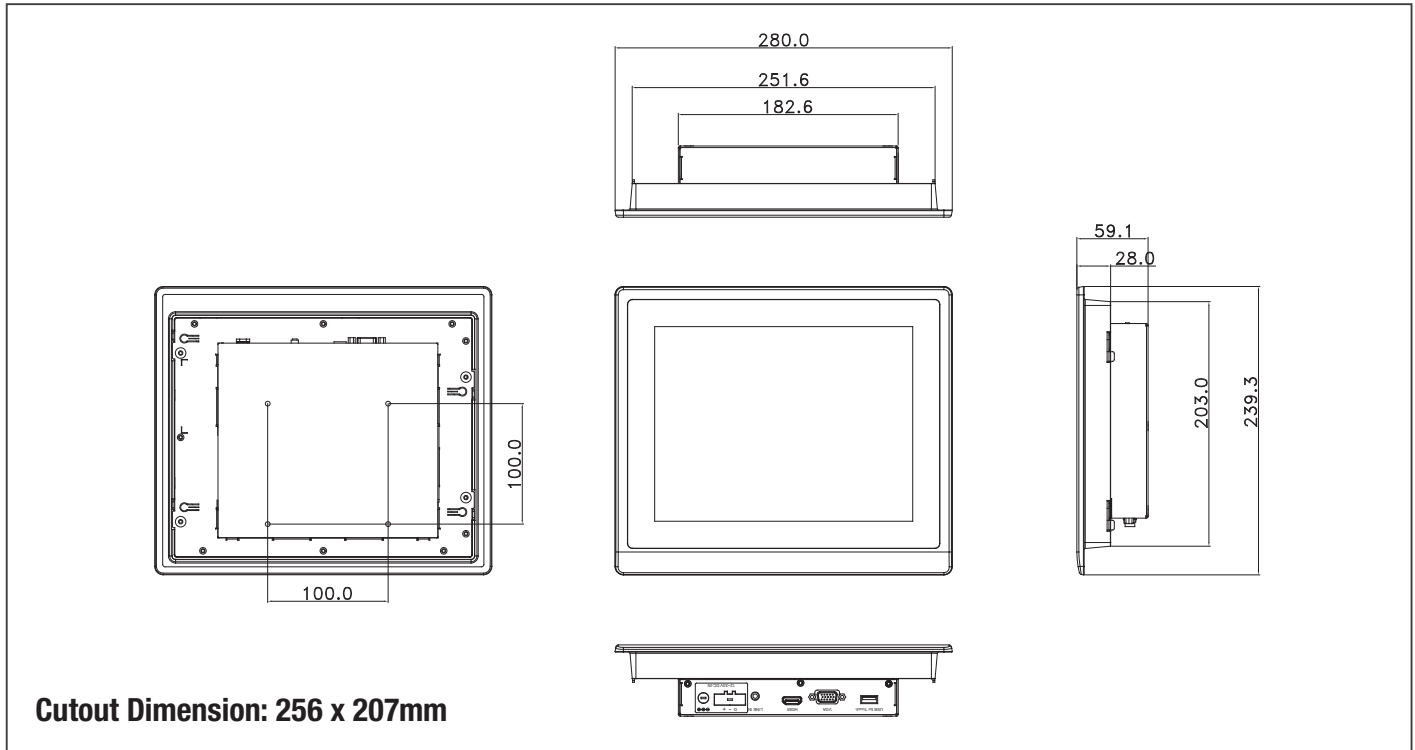


Specifications

System	
Input Signal	VGA / HDMI
On Screen Display Control	5 keys OSD keypad (Up, Down, Menu, Auto, Power)
I/O Port	DB9 VGA x 1 HDMI x 1 USB x 1 (For Enable T/S Function) Line in x 1 (For optional internal Speaker) Power Input x 1(Terminal Block 3pin)
Os Support	Windows® 7 32/64-bit, Windows® 8 32/64-bit, Windows® 10 64-bit, Linux Ubuntu 16.04
Mechanical	
Construction	IP65 aluminum front bezel & SGCC chassis
Mounting	Panel Mount / VESA 100 x 100 / Stand
Dimension	11.0" x 9.4" x 2.33" (280mm x 239.3mm x 59.1mm)
Carton Dimension	16.3" x 15.4" x 7.04" (415mm x 391mm x 179mm)
Gross Weight	7.9 lbs (3.6 kg)
Net Weight	1.1 lbs (2.4 kg)
Environmental	
Operating Temperature	14°F ~ 131°F (-10°C ~ 55°C) With 0.5m/s Airflow
Storage Temperature	-4°F ~ 140°F (-20°C ~ 60°C)
Storage Humidity	10%~90% @104°F (40°C); non-condensing
Vibration	1 Grms / 5~500Hz/random Operation
Shock	—
EMC	CE/FCC, Class A
Power Supply	
Dc Input	DC 12~30V Power Input with 3 Pin Terminal Block
LCD	
Display Type	10.4" TFT-LCD
Max. Resolution	800 x 600
Max. Colors	16.2M
Luminance	230 cd/m ²
Viewing Angle	160° (H), 130° (V)
Back Light	LED
Back Light MTBF (Hours)	30,000
Touchscreen	
Type	Projective Capacitive Multi Touch or 5 Wire Resistive Touch Screen (By Model)
Light Transmission	P-CAP (90% ± 3%), 5-wire Resistive (80% ± 3%)
Life Time	—

Dimension

Unit: mm



Ordering Information

Part Number	Display Type	Max. Resolution	Luminance	View Angle	Backlight MTBF (Hours)	Display	Mounting	Power	Temp.	Touch	Others
OMNI-310MHTT-A1-1010	10.4" TFT-LCD	800 x 600	230 cd/m ²	120(H), 100(V)	50,000	VGA x 1 HDMI x 1	Panel mount VESA 100	DC 12V~30V	14°F ~ 131°F (-10°C ~ 55°C) (with 0.5 m/s airflow)	Flat 5 Wire Resistive	—
OMNI-310MHTT-A2-1010	10.4" TFT-LCD	800 x 600	230 cd/m ²	120(H), 100(V)	50,000	VGA x 1 HDMI x 1	Panel mount VESA 100	DC 12V~30V	14°F ~ 131°F (-10°C ~ 55°C) (with 0.5 m/s airflow)	Projected Capacitive	—

Packing List

- OMNI-310M x 1
- VGA Cable x 1
- USB Cable for Touch x 1
- Touch Driver CD x 1
- Phoenix Power Connector

Optional Accessories

- **1255300402**
(TF) Adapter, AC/DC, input AC, 90~264, output DC, 12V, 3.3A, 40W, 3p phoenix, FSP, FSP040-RHAN2/9NA0404929
- **1702031802**
Power Cord (US Type)
- **1702031803**
Power Cord (European Type)
- **170203180E**
Power Cord (Japanese Type)
- **AP-0T9789LA1000**
LCD Monitor Stand 230mm, LA-100