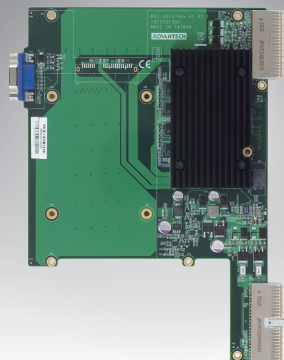


MIC-3313

6U CompactPCI® Extension Board for MIC-3393



Features

- Extension module for MIC-3393 CPU board
- Supports 1 VGA display port
- On-board S3 GPU
- On-board 256 MB DDR2 memory
- PCIe x8 interface

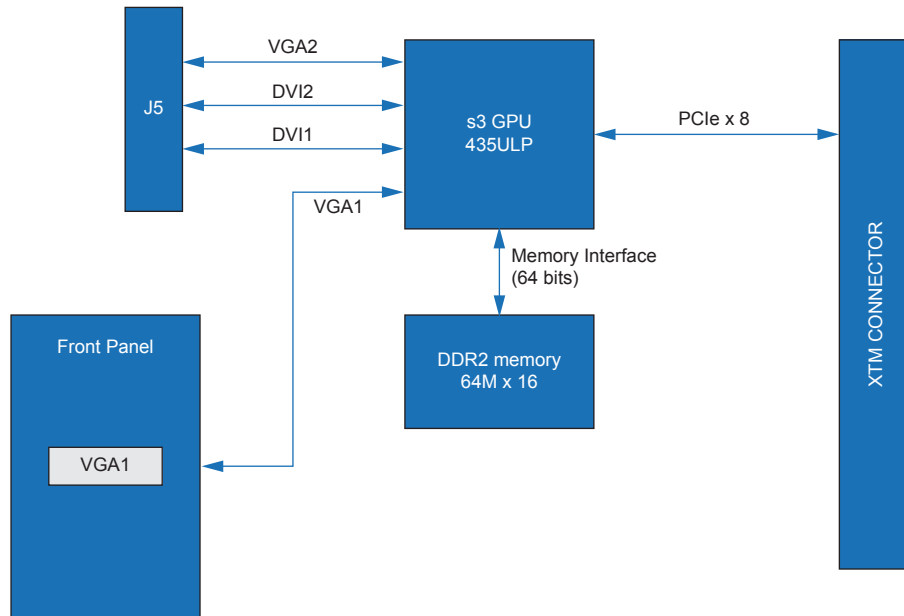
Introduction

The MIC-3313 is an extension module for CPCI blades using dual slot (8HP) front panels. It can support one VGA display output. Especially where the choice of CPU for the MIC-3393 and the thermal environment in the chassis mandate the use of an 8HP front panel for the MIC-3393, the MIC-3313 can be used as a very efficient way to support display solution. Using on-board S3 435ULP low power GPU and 256MB DDR2 memory on MIC-3313 can support high performance display solution for MIC-3393. If further combine with RIO-3313, the CPCI system can support dual display.

Specifications

CompactPCI Connector	J1, J5		
XTM	Interface	PCIe x8	
GPU	S3	435ULP	
Memory	DDR2	256 MB	
Power Consumption	MIC-3313-A1E	+3.3 V	+5 V
		0.21 A	1.89 A
Environment	Temperature	Operating	Non-Operating
		0 ~ 55° C (32 ~ 122° F)	-20 ~ 80° C (-4 ~ 176° F)
		Humidity	85 % @ 40° C, non-condensing
Physical Characteristics	Dimensions (W x D)	233.35 mm x 160 mm (9.2" x 6.3"), 2-slot width (MIC-3393 + MIC-3313)	
	Weight	0.2 kg (0.44 lbs) (MIC-3313)	

Board Diagram



Recommended Configurations

Extension Module	CPU Board	Enclosure
MIC-3313-A1E	MIC-3393D Series	MIC-3042, MIC-3043 Series

Ordering Information

XTM Model Number	On-board Header/Socket/Connector		
	VGA	Slot Width	Conn.
MIC-3313-A1E	1	1	J1, J5

