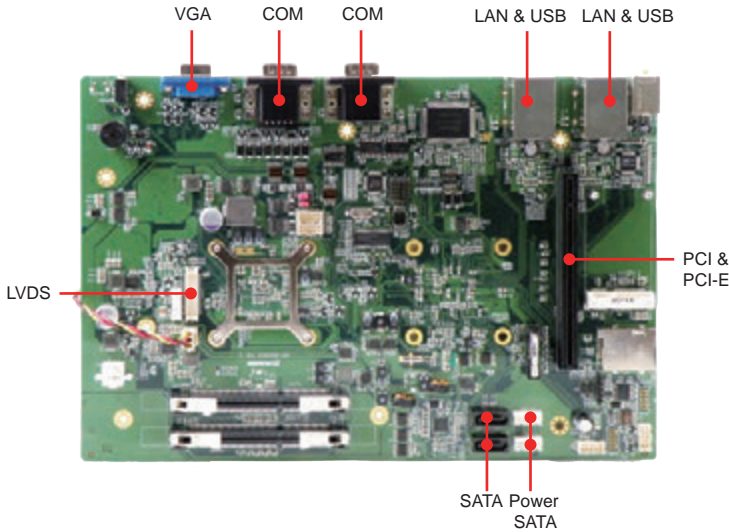


AR-B6003

Intel Atom D525/D425 SBC



Features

- Support Intel Atom D525 (Dual Core) and D425 (Single Core)
- 2 x DDR3 SO-DIMM, up to 4GB
- Dedicated / selectable PCI & PCI-E x 1 Expansion Slot
- Mini PCIe Expansion Slot
- Use JST connectors and switch to avoid cables drop
- Support Win XP, 7, Fedora 14 and Ubuntu 10



Specification

System

CPU	Intel Atom Dual Cores D525 and Single Core D425
Chipset	Intel ICH8M
Memory	2 x 204-pin SO-DIMM socket support 800MHz DDR3, up to 4GB
BIOS	Phoenix
Hardware Monitoring	CPU voltage and temperature
WatchDog Timer	Software programmable 1~255 sec.

Video

Video Controller	Intel Atom D525/D425 integrated
Video Memory	DVMT 4.0
Video Interface	1 x VGA port (DB15) 1 x 18-bit LVDS (Pin Header)

Storage

SATA	2 x SATA II port with SATA II power connector
CF	1 x Compact Flash Type I/II slot support UDMA 33

I/O

Ethernet	2 x GbE RJ45 with LED, Realtek RTL8111DL
AR-RS20	Riser Card (2 x PCI-E x 1 expansion slots)
AR-RS21	Riser Card (1 x PCI + 1 x PCI-E x 1 expansion slots)
Mini PCIe	1 x Mini PCIe
Serial Port	3 x RS232 (DB9) 1 x RS232/422/485 (DB9, switch selectable)
USB	6 x USB 2.0 (4 x external port, 2 x JST pin header)
Digital Input	4 x TTL input
Digital Output	4 x 500mA digital output
Audio	Realtek Audio Codec

Power Requirement

Power Input	12V (+/-5%) single voltage input, 3 poles terminal block
-------------	--

Software

OS Support	Windows XP, Windows 7, Fedora 14, Ubuntu 10
------------	---

Mechanical & Environment

Dimension	262mm x 175mm (10.31" x 6.89")
Operating Temp.	0~60°C (32~140°F)
Storage Temp.	-20~80°C (-4~176°F)
Relative Humidity	0 to 90% @ 40°C, non-condensing
Safety	CE, FCC compliant

Packing List

- 1 x AR-B6003
- 1 x CPU Heatsink and Fan
- 1 x User manual & Driver CD

Optional (Purchase Separately)

WiFi Module	Mini PCIe card with RF cable and antenna
LVDS	LVDS cable
AR-RS20	Riser Card (2 x PCI-E x 1 expansion slots)
AR-RS21	Riser Card (1 x PCI + 1 x PCI-E x 1 expansion slots)

Ordering Information

AR-B6003D525	1 x AR-B6003D525
AR-B6003D425	1 x AR-B6003D425
ACC-6003	
Accessory	• 1 x USB cable • 1 x SATA cable • 1 x SATA power cable

Dimension

