

HSC-03M2-O

Lightweight USB 3.0 Camera, Micron MT9V022 CMOS, Global Shutter, 60 FPS at 752x480, without Lens



7/8.1/10
Windows

32/64
Bit

USB 3.0



Features

- IEI Vision SDK available
- Compact and lightweight industrial camera with Aptina global shutter CMOS sensor
- Compatible with USB 3.0 SuperSpeed specification
- Resolutions up to 752x480
- Frame rates up to 60 FPS
- Support AMCap and other DirectShow compatible software
- Other commercial vision software supported through DirectShow, ex: Halcon
- IEI Similarity technology can provide image enhancement

Specifications

◆ Camera

Resolution (max.)	752 x 480
Frame Rate (max.)	60 FPS
Megapixels	0.3 MP
Chroma	Mono
Sensor Name	Micron MT9V022
Sensor Type	CMOS
Readout Method	Global shutter
Sensor Format	1/3-inch
Pixel Size	6.0 μm
Lens Mount	CS-mount
ADC	8-bit/10-bit
Auxiliary Output	3.3 V, 100 mA max
Interface	USB 3.0 interface
Mass	79g
Compliance	CE, FCC

◆ System Requirement

System	Intel® Core™ i5 or above
Memory	2GB or more

◆ Software Support

OS Support	Microsoft Windows 7/8.1/10 (32-bit/64-bit) Operating systems that support UVC
SDK	Windows: Provides SDK and demo program with sample source code

◆ Others

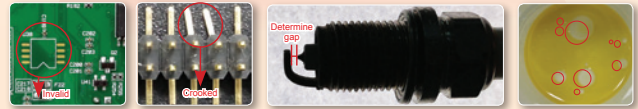
Dimensions (mm)	58.9 mm x 29 mm x 29 mm
Operating Temperature	0°C ~ 45°C
Storage Temperature	-30°C ~ 60°C
Operating Humidity	20% ~ 80%
Storage Humidity	20% ~ 95%
Power Requirements	5V via external connector or USB 3.0
Power Consumption (max.)	<3.5W

Demo Codes Provided



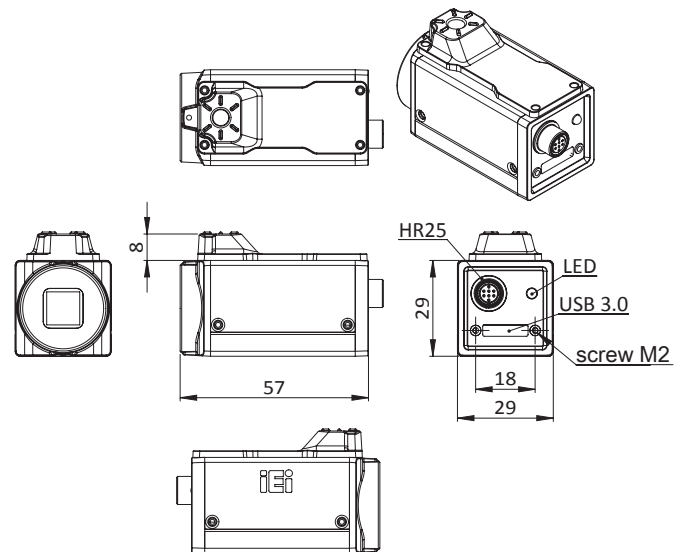
Capture Card
= Camera

HSC-03M2-O
USB 3.0 High Speed Camera



Machine Vision Application Examples

Dimensions (Unit: mm)



Packing List

1 x HSC-03M2-O	1 x CS to C mount adapter
1 x Mounting bracket	1 x QIG

Ordering Information

Part No.	Description
HSC-03M2-O-R10	Lightweight USB 3.0 camera & opto-isolated, Micron MT9V022 CMOS, global shutter, 60 FPS at 752x480, without Lens
32001-019800-100-RS	USB 3.0 cable, 1800 mm, USB 3.0 A type male and micro USB 3.0 B type male+screw

Note: IEI does not offer Open eVision and MIL software licenses. Please buy the original version from their vendors.