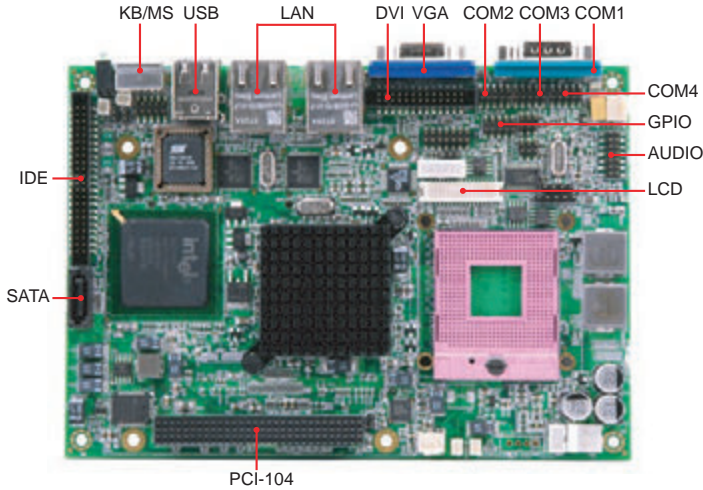


AR-B5630

EPIC Intel uFC-PGA 478 SBC



Features

- Socket P support Intel Core 2 Duo / Celeron M
- Support DDR2-400/533/667 SDRAM
- VGA/DVI/LVDS/TV-Out
- 2 x GbE LAN
- PCI-104 Expansion
- COM, USB 2.0, GPIO, SATA, IDE, CF II, Audio



Specification

System

CPU	Socket P support Intel Core 2 Duo/Celeron M
Chipset	Intel GME965 + Intel ICH8M
Front Side Bus	533/800MHz
Memory	1 x 200-pin SO-DIMM socket support DDR2-400/533/667 SDRAM up to 2GB
BIOS	Phoenix
Hardware Monitoring	<ul style="list-style-type: none"> • CPU voltage • CPU and system temperature • CPU and system fan speed
WatchDog Timer	Software programmable 1~255 sec.

Video

Graphic Controller	Intel GME965 integrated GMA X3100 graphic controller
Video Memory	Maximum 384MB shared
Video Interface	<ul style="list-style-type: none"> • 1 x VGA port (DB15) • 1 x DVI (Pin header) • 1 x Dual Channel 24-bit LVDS (Pin header) • 1 x TV-Out (Pin header)

Storage

IDE	1 x E-IDE (44-pin)
SATA	2 x SATA II port
CF	1 x Compact Flash Type I/II socket

I/O

Ethernet	2 x GbE RJ45 with LED, Broadcom BCM5787
Expansion Slot	1 x PCI-104 slot
Serial Port	3 x RS-232, 1 x RS-232/422/485 (1 x DB9, 3 x pin header)
USB	4 x USB 2.0 (2 x external port, 2 x pin header)
GPIO	8-bit Digital I/O
PS/2	1 x PS/2
Audio	Realtek ALC655

Power Requirement

Power Input	12V (+/-5%) single voltage input
-------------	----------------------------------

Software

OS Support	Windows Vista/XP/XP Embedded/CE, Linux
------------	----------------------------------------

Mechanical & Environment

Dimension	165mm x 115mm (6.50" x 4.53")
Weight	Net: 226g (0.5Lb), Gross: 785g (1.7Lb)
Operating Temp.	0~60°C (32~140°F)
Storage Temp.	-20~80°C (-4~176°F)
Relative Humidity	0 to 90% @ 40°C non-condensing
Safety	CE, FCC compliant

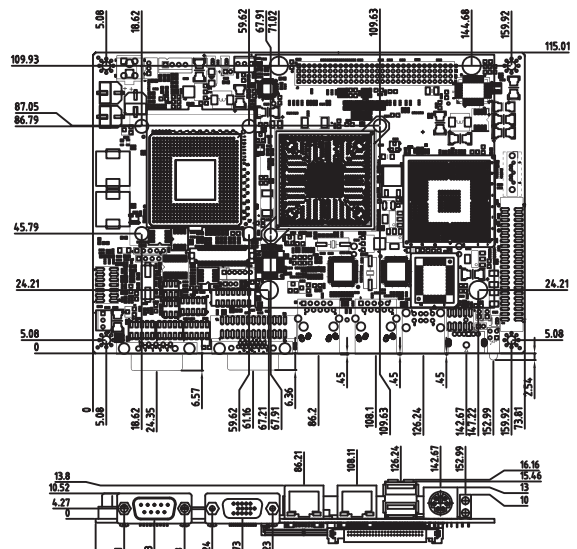
Packing List

- 1 x AR-B5630
- 1 x Quick user guide
- 1 x Driver and utility CD
- 1 x Cooler

Ordering Information

AR-B5631	1 x AR-B5630
Accessory	ACC-5630: <ul style="list-style-type: none"> • 1 x Power cable (ATX) • 1 x IDE cable (44-pin) • 2 x COM port (DB9) • 1 x TV-Out cable (S-Video) • 1 x PS/2 keyboard and mouse cable • 1 x Audio cable (Line-in/Line-out/Mic-in) • 1 x SATA cable • 1 x USB cable • 1 x DVI cable

Dimension



Specifications are subject to change without notice.