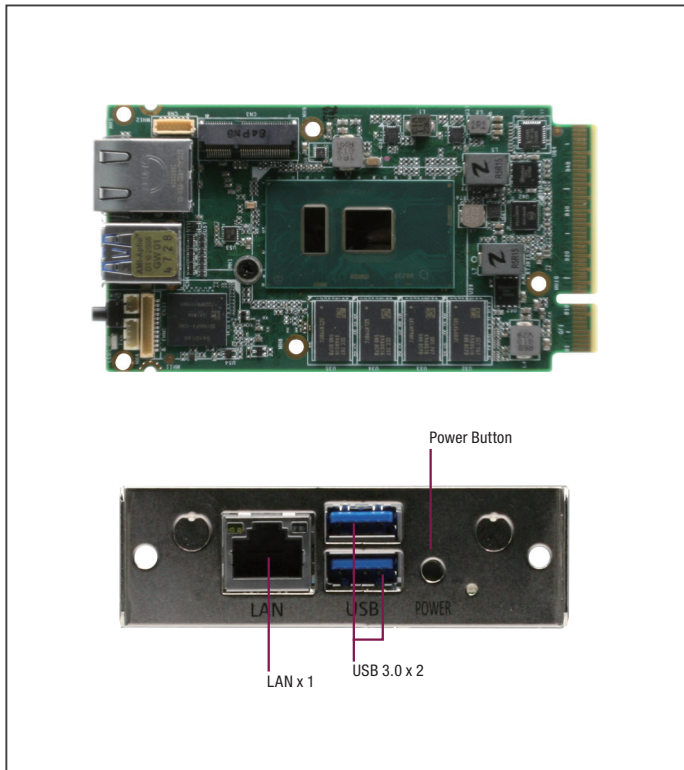


Intel® Smart Display Module-Small Size with 6/7th Generation Intel® Core™-U series Processor SoC



Features

- Intel® Smart Display Module- Small Size
- Intel® 6/7th Generation Core™-U series Processor SoC
- Onboard DDR4 up to 8GB
- Onboard eMMC up to 128G
- M.2 2230 (E-Key) x 1
- USB 3.1 Gen1 x 2; LAN I211, RJ45 x 1
- HDMI 1.4 x1, DP1.2 x1 (through Edge Connector)



Specifications

System	
Form Factor	Intel® SDM-S Module
CPU	7th Generation Intel® Core™ i7-7600U/ i5-7300U/ i3-7100U/ Celeron® 3965U SoC
CPU Frequency	i7-7600U up to 3.9 GHz i5-7300U up to 3.5 GHz i3-7100U up to 2.4 GHz Celeron 3965U up to 2.2 GHz
Chipset	7th Generation Intel® Core™ i7-7600U/ i5-7300U/ i3-7100U/ Celeron® 3965U SoC
Memory Type	onboard DDR4
Max. Memory Capacity	Up to 8GB
BIOS	AMI BIOS
Wake On LAN	Yes
Watchdog Timer	255 Levels
Power Requirement	12V DC from the Docking Board through the Edge Connector
Power Supply Type	AT/ATX
Power Consumption (Typical)	Intel® Core™ i7-7600U, DDR4 4G, 64G eMMC, 2.4A @ 12V
Dimension (L x W x H)	3.94" x 2.36" x 0.79" (100 mm x 60 mm x 20 mm)
Operating Temperature	32°F ~ 131°F (0°C ~ 55°C)
Storage Temperature	-40°F ~ 176°F (-40°C ~ 80°C)
Operating Humidity	0% ~ 90% relative humidity, non-condensing
MTBF (Hours)	—
Certification	CE/FCC
Display	
Controller	7th Generation Intel® Core™ : Intel® HD Graphics 620 Intel® Celeron: intel® HD Graphics 610
Video Output	HDMI 1.4 x 1 (through Edge connector) DP1.2 x 1 (through Edge connector)
Audio	Through HDMI, DP by edge connector
I/O	
Ethernet	Intel I211, RJ45 x 1
USB Port	USB 3.1 Gen1 x 2
Storage	eMMC 32/64/128G
Expansion Slot	M.2 2230 (E-Key)

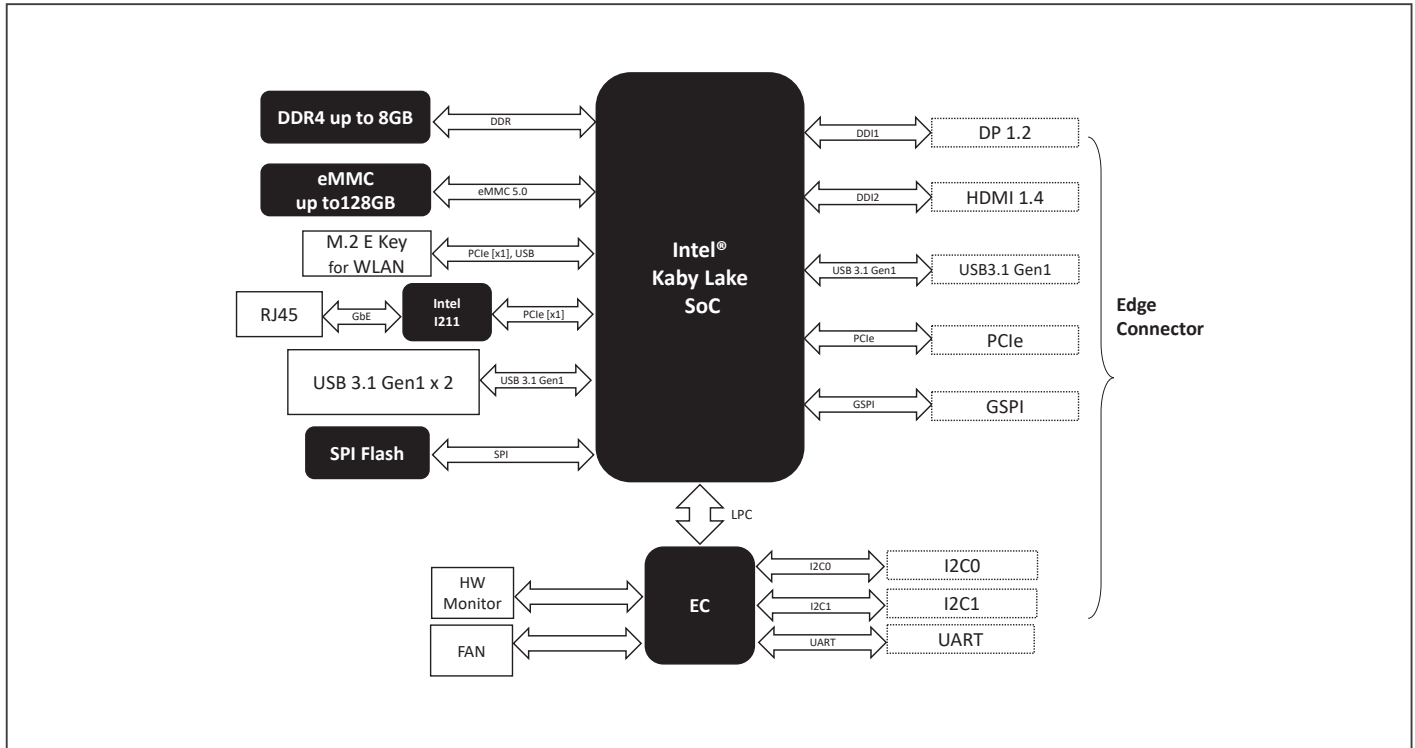
Packing List

- ASDM-S-KBU

Optional Accessories

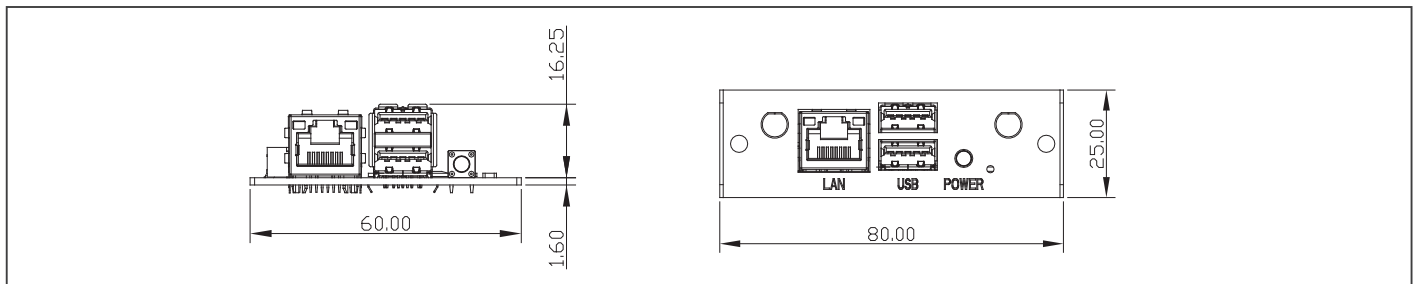
Part Number	Description	Qty.
ASDM-S-KBU-FAN01	FAN+Heat Sink	1
ASDM-S-BRKT01	Bracket for SDM-S module	1

Block Diagram



Dimension

Unit: mm



Ordering Information

Part Number	CPU	Fan/Fanless	Display	Memory	Storage	LAN	USB	Expansion Slot	Power	Power Temp	Others
ASDM-S-KBU-A10-0001	Intel® Core i5-7300U	Fan	HDMI+ DP	onboard DDR4 4G	onboard eMMC 64G	GbE x 1	USB 3.1 Gen1 x 2	M.2 (E-key) x 1	+12V, AT/ATX from PIB	0°C ~ 55°C	—