

Datasheet

2.5" SATA SSD

3TG6-P series

- 2.5" SATA III solution for industrial field
- High IOPS
- iSMART disk health monitoring
- AES-256 encryption
- End to end data path protection
- iData Guard for abnormal power failure
- iCell technology for data protection (optional)
- iPower Guard for protecting unstable start up and shut down



Introduction

Innodisk 2.5" SATA SSD 3TG6-P is SATA III 6Gb/s solid state disk, which delivers excellent performance, especially in random data transfer rate, and which offers reliability making it the ideal solution for a variety of applications, including embedded system, industrial computing, and enterprise field. 3TG6-P 2.5" SSD not only performs unmatched performance, but also designed with Innodisk owned technical knowhow to ensure the data integrity and highest levels of reliability.

2.5" SATA SSD

3TG6-P series

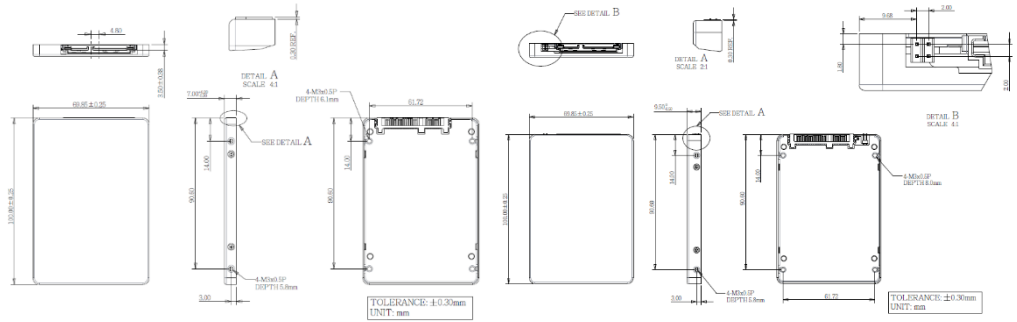
Drawing

Contact us for more information about the 2.5" SATA SSD 3TG6-P

Innodisk is a service-driven provider of industrial embedded flash and DRAM storage products and technologies, with a focus on the industrial/embedded, aerospace and defense, and cloud computing industries.

* DGS25-XXXM71EXXQF (128GB-2TB)

* DGS25-04TM71EXAQF (4TB)



Specifications

Interface	SATA III
Flash Type	3D TLC
Capacity	128GB~4TB
Max. Channels	4
Sequential R/W (MB/sec, max.)*	530 / 525 MB/s
4KB Random (QD32) R/W (IOPS)*	87000 / 70000
Max. Power Consumption	7.7W
Thermal Sensor	✓
External DRAM Buffer	✓
AES encryption	✓
ATA Security	✓
S.M.A.R.T.	✓
Dimension (WxLxH)	69.8 X 100.0 X 6.8 mm ³ (128GB ~ 2TB) 69.8 X 100.0 X 9.2 mm ³ (4TB)
Environment	Vibration: 20G @7~2000Hz Shock: 1500G @ 0.5ms Storage Temperature: -55°C ~ +95°C MTBF: 3 million hours
* Sequential performance based on CystalDiskMark 5.1.2 with file size 100MB	

Headquarters (Taiwan)

5F., No.237, Sec. 1, Datong Rd.,
Xizhi Dist., New Taipei City,
Taiwan (R.O.C.)
Tel: +886-2-77033000
Email: sales@innodisk.com

Branch Offices:

USA
usasales@innodisk.com
+1-510-770-9421
Europe
eusales@innodisk.com
+31-40-3045-400
Japan
jpsales@innodisk.com
+81-3-6667-0161
China
sales_cn@innodisk.com
+86-755-21673689
www.innodisk.com

© 2017 Innodisk Corporation.
All right reserved. Specifications
are subject to change without
prior notice.

Ordering Information (Please refer to TPS for detail)

20180703

Operation Temp.	128GB	256GB	512GB	1TB	2TB	4TB
Standard Grade (0°C ~ +70°C)	DGS25-A28M71EC3QF DGS25-A28M71EC1QFP	DGS25-B56M71EC3QF DGS25-B56M71EC1QFP	DGS25-C12M71EC3QF DGS25-C12M71EC1QFP	DGS25-01TM71EC1QF(P)	DGS25-02TM71ECAQF(P)	DGS25-04TM71ECAQF
Industrial Grade (-40°C ~ +85°C)	DGS25-A28M71EW3QF DGS25-A28M71EW1QFP	DGS25-B56M71EW3QF DGS25-B56M71EW1QFP	DGS25-C12M71EW3QF DGS25-C12M71EW1QFP	DGS25-01TM71EW1QF(P)	DGS25-02TM71EWAQF(P)	DGS25-04TM71EWAQF

innodisk

www.innodisk.com