



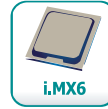
EC900-FS6

NXP



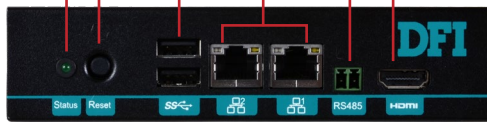
► Features

- ARM-based Fanless Embedded System
- 1GB/2GB DDR3L memory onboard
- 8GB/16GB eMMC for storage
- Designed for IoT gateway solutions
- Rich I/O ports: 2 GbE, 2 COM, 2 USB 2.0, 1 USB OTG



► Panel

Status LED Reset USB 2.0 LAN 1~2 COM HDMI



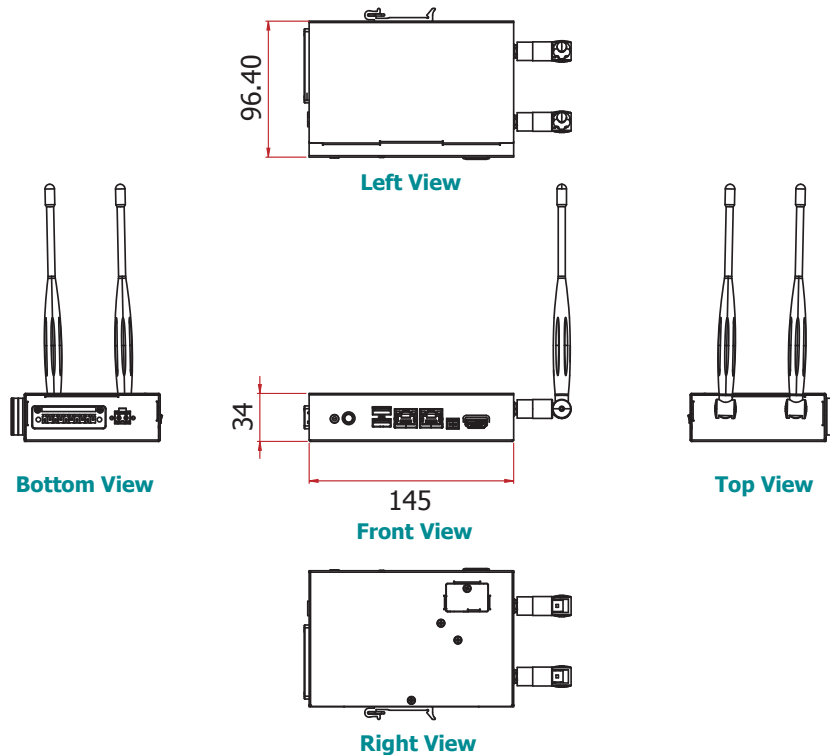
Front View

DIO, Power, Ground, COM Power



Bottom View

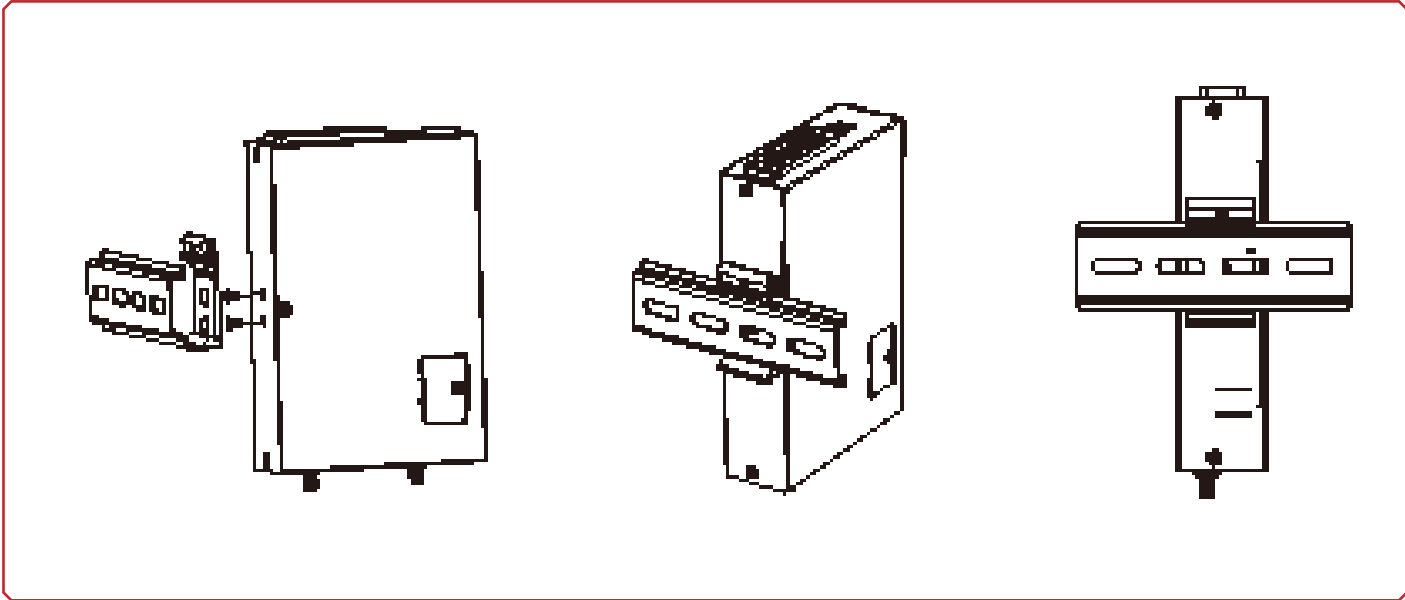
► Dimensions



► Specifications

SYSTEM	Processor	NXP i.MX6 Series Processor NXP i.MX6 Cortex-A9 Dual Lite, 1.0GHz	
	Memory	1GB/2GB SDRAM Memory Down	Single Channel DDR3L 1600MHz
GRAPHICS	Display	1 x HDMI	HDMI: resolution up to 1920x1080 @ 60 Hz
	Single Display	HDMI	
STORAGE		4MB NOR Flash 8GB/16GB eMMC	
EXPANSION	Interface	1 x Full-size Mini PCIe (PCIe/USB) 1 x micro SD	
ETHERNET	Controller	1 x Atheros Ethernet Controller AR8033-AL1B (10/100/1000Mbps) 1 x Microchip USB to Ethernet Controller LAN7500-ABZJ (10/100/1000Mbps)	
LED	Indicators	1 x Status LED	
FRONT I/O	Ethernet	2 x GbE (RJ-45)	
	Serial	1 x RS-485 (2-pole terminal block)	
	USB	2 x USB 2.0 (type A)	
	Display	1 x HDMI	
	Buttons	1 x Power Reset Button	
BOTTOM I/O	Serial	1 x RS-422 (2-pole terminal block)	
	DIO	1 x 4-bit DIO	
TOP I/O	Wi-Fi Antenna	2 x Wi-Fi Module Antenna Hole	
INTERNAL I/O	USB	1 x USB 2.0 1 x OTG USB	
	UART	1 x UART for Console Port	
WATCHDOG TIMER	Output & Interval	System Reset, Programmable via Software from 1 to 255 Seconds	
POWER	Type	Wide Range 9~36V	
	Connector	2-Pole Terminal Block	
OS SUPPORT		Yocto 1.8 beta, Kernel 3.14.52 Android 5.1 beta, Kernel 3.14.52	
MECHANISM	Construction	Sheet Metal	
	Mounting	DIN Rail Mount	
	Dimensions (W x H x D)	145mm x 34mm x 96.4mm	
	Weight	TBD	
ENVIRONMENT	Operating Temperature	-20 to 60°C	-40 to 70°C
	Storage Temperature	-40 to 85°C	
	Relative Humidity	10 to 90% RH (non-condensing)	
STANDARDS AND CERTIFICATIONS	Shock	Operating: 3G, 11ms Non-Operating: 5G, 11ms	
	Vibration	Operating: Random 5~500Hz, IEC68-2-64 (3G) Non-Operating: Sine 10~500Hz, IEC68-2-6 (3G)	

► DIN Rail Mounting



► Ordering Information

Model Name	Part Number	Description
EC900-FS6DL	750-EC9000-000G	EC900-FS6DL, Fanless, NXP IMX6DL 1GB Memory, 8GB eMMC, 2 COM, 2 USB, HDMI, Yocto Linux, -20 to 60°C, RoHS
EC900-FS6DL	750-EC9000-100G	EC900-FS6DL, Fanless, NXP IMX6DL 4GB Memory, 16GB eMMC, 2 COM, 2 USB, HDMI, Android, -20 to 60°C, RoHS
EC900-FS6DL	750-EC9000-200G	EC900-FS6DL, Fanless, NXP IMX6DL 2GB Memory, 16GB eMMC, 2 COM, 2 USB, HDMI, Yocto Linux, -20 to 60°C, RoHS

► Optional Items

Optional Items	Part Number	Description
Wi-Fi + BT	761-AP1235-000G	Wi-Fi + BT Kit, RoHS
Power Cord	785-PWRD	Power Cord, Standards (USA/EUR/CH), 1.8m, RoHS
Power Adapter	671-102001-000G	20W, 24V, 0 to 40°C, RoHS
	671-102501-000G	25W, 24V, -30 to 70°C, RoHS

785-XXX is a group number instead of a unique part number. Please contact your regional sales representative if you need more information.

► Packing List

• 1 EC900-FS6 system unit
• 1 10-Pole Terminal Block for RS-422/4-bit DIO
• 1 2-Pole Terminal Block for RS-485
• 1 2-Pole Terminal Block for Power Input
• 1 DIN Rail Bracket/Screw Pack
• 1 Quick Installation Guide
• 1 CD disk includes:
- Drivers / Manual